



**SYM**

GENUINE PARTS

# LN30W5-EU PART CATALOGUE

**GT5300i  
AFS**



鼎豪實業  
TEAMWORLD INDUSTRIES

N O	MODEL	LN30W5-EU(GTS 300I ABS)			
	DATE	2013/12	2013/12	2013/12	
	BASIC COLOR	BK	GY1	W	
	COLOR CODE	BK-231S	GY-7450U	WH-300P	
	Description	Parts Number	BLACK	ATT GRA	WHITE
1.00	RR. CAST WHEEL COMP	42601-L3E-000	KB	KB	KB
2.00	RR.CALIPER ASSY	43100-L3A-000	SH	SH	SH
3.00	FR. CAST WHEEL COMP	44601-L3A-000	●	●	●
4.00	FR.CALIPER ASSY	45100-HMA-000	●	●	●
5.00	BATTERY COVER	50326-L3A-000	IL	IL	IL
6.00	R STEP BAR SET	5071A-F6B-000	IE	IE	IE
7.00	L STEP BAR SET	5071B-F6B-000	IE	IE	IE
8.00	R. CUSHION ASSY	51400-L3A-000	●	●	●
9.00	L. CUSHION ASSY	51500-L3A-000	●	●	●
10.00	RR. FORK ASSY	5210A-L3A-000	IL	IL	IL
11.00	RR. CUSHION ASSY	52400-L3A-000	KB	KB	KB
12.00	THROT GRIP COMP	53140-L4A-000	●	●	●
13.00	L HANDLE GRIP	53166-L4A-000	●	●	●
14.00	UP HANDLE COVER A	53204-L3A-000	KX	IL	QU
15.00	UP HANDLE COVER B	53205-L3A-000	KA	KA	KA
16.00	METER PANEL	53208-L3A-000	KA	KA	KA
17.00	METER VISOR SUB ASSY	5320G-L3A-000	IL	IL	IL
18.00	SYM MARK	83521-L4C-000	●	●	●
19.00	S LOGO EMBLEM	87553-L4A-000	●	●	●
20.00	FR. FENDER	61100-L3A-000	KX2	IL5	QU1
21.00	FR. UNDER SPOILER	64300-L3A-001	IL	IL	IL
22.00	FR COVER	64301-L3A-000	KX	IL	QU
23.00	R. SIDE SPOILER	64304-L3A-000	KX	IL	QU
24.00	L. SIDE SPOILER	64305-L3A-000	KX	IL	QU
25.00	FLOOR PANEL	64310-L3A-010	KA	KA	KA
26.00	FUEL CAP LID	64311-L3A-010	KA	KA	KA
27.00	FRAME NUMBER LID	64313-F3C-000	KA	KA	KA
28.00	R. FLOOR GARNISH	64313-L3A-000	IL	IL	IL
29.00	L. FLOOR GARNISH	64314-L3A-000	IL	IL	IL
30.00	R. FLOOR MAT A	64321-L3A-000	KA	KA	KA
31.00	L. FLOOR MAT A	64322-L3A-000	KA	KA	KA
32.00	R. FLOOR MAT B	64323-L3A-000	KA	KA	KA
33.00	L. FLOOR MAT B	64324-L3A-000	KA	KA	KA
34.00	WIND SCREEN SET	6710A-L3A-000	IL	IL	IL
35.00	RR. BACK SEAT ASSY	77400-L3A-000	KA	KA	KA
36.00	RR. FENDER	80100-L3A-000	KA	KA	KA
37.00	RR. MUDGUARD	80106-L3A-000	KA	KA	KA
38.00	INNER BOX	81131-L3A-000	KA	KA	KA
39.00	MAIN SW. COVER	81132-L3A-000	KA	KA	KA
40.00	INNER BOX LID	81141-L3A-000	IL	IL	IL

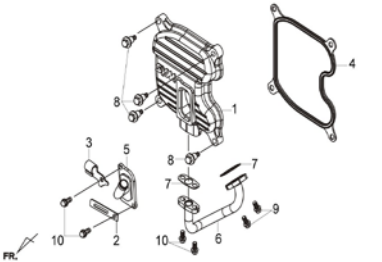
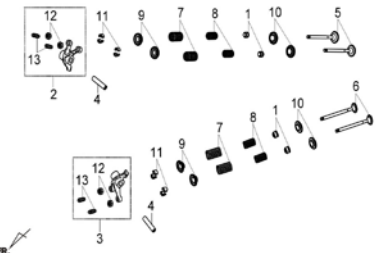
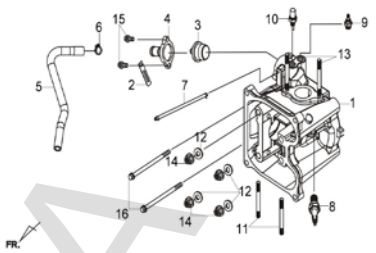
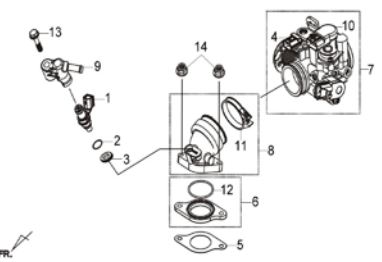
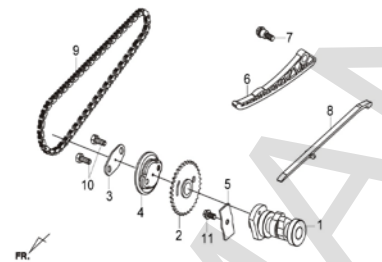
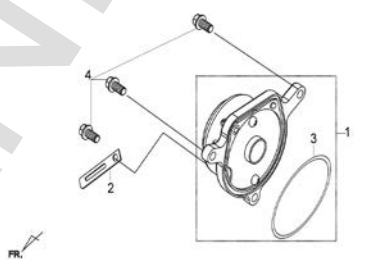
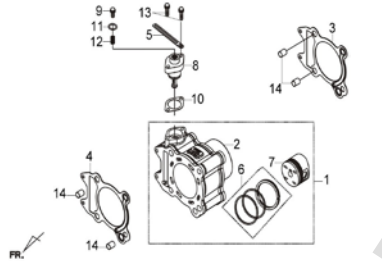
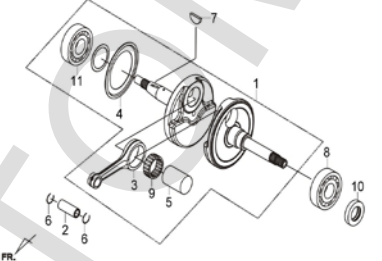
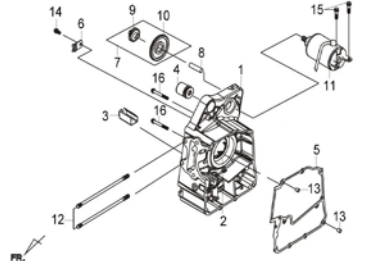
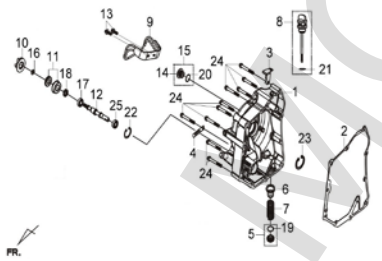
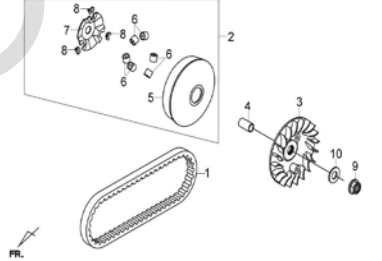
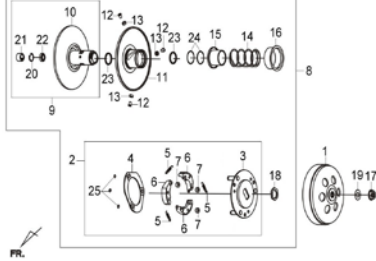
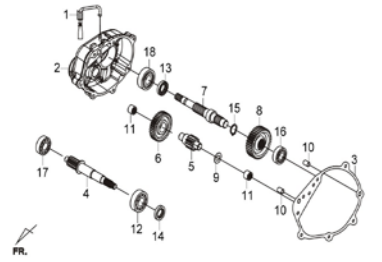
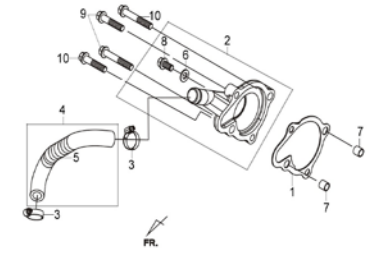
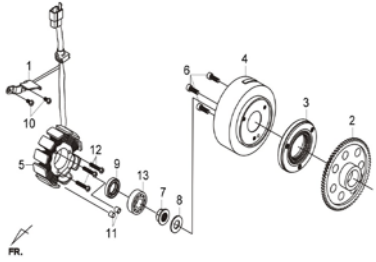
N O	MODEL	LN30W5-EU(GTS 300I ABS)			
	DATE	2013/12	2013/12	2013/12	
	BASIC COLOR	BK	GY1	W	
	COLOR CODE	BK-231S	GY-7450U	WH-300P	
	Description	Parts Number	BLACK	ATT GRA	WHITE
41.00	AIR DUCT COVER	81152-L3A-000	KA	KA	KA
42.00	R. RR. CARRIER	81200-L3A-000	IL	IL	IL
43.00	L. RR. CARRIER	81210-L3A-000	IL	IL	IL
44.00	LUGGAGE BOX ASSY	8125A-L3A-010	KA	KA	KA
45.00	R. BODY COVER	83500-L3A-000	KX	IL	QU
46.00	ABS EMBLEM	83501-L4C-000	●	●	●
47.00	R. BODY COVER EMBLEM	87126-L3A-000	●	●	●
48.00	I MARK	87129-HML-000	●	●	●
49.00	R. SIDE COVER SET	8352G-L3A-000	KX	IL	QU
50.00	SYM MARK (90 STRIPE)	87121-A5W-000	T3	T3	T2
51.00	L. BODY COVER	83600-L3A-000	KX	IL	QU
52.00	L. BODY COVER EMBLEM	87127-L3A-000	●	●	●
53.00	L. SIDE COVER SET	8362G-L3A-000	KX	IL	QU
54.00	R. BACK MIRROR COMP-WITHOUT WINKER	88110-L3A-008	KX	IL	QU
55.00	R. BACK MIRROR SET	8811A-L3A-007	KX	IL	QU
56.00	L. BACK MIRROR COMP-WITHOUT WINKER	88120-L3A-008	KX	IL	QU
57.00	L. BACK MIRROR SET	8812A-L3A-007	KX	IL	QU

N O	MODEL	LN30W5-EU(GTS 300I ABS)		
	DATE	2013/12		
	BASIC COLOR	S		
	COLOR CODE	S-7S		
	Description	Parts Number	SILVER	
1.00	RR. CAST WHEEL COMP	42601-L3E-000	KB	
2.00	RR.CALIPER ASSY	43100-L3A-000	SH	
3.00	FR. CAST WHEEL COMP	44601-L3A-000	●	
4.00	FR.CALIPER ASSY	45100-HMA-000	●	
5.00	BATTERY COVER	50326-L3A-000	IL	
6.00	R STEP BAR SET	5071A-F6B-000	IE	
7.00	L STEP BAR SET	5071B-F6B-000	IE	
8.00	R. CUSHION ASSY	51400-L3A-000	●	
9.00	L. CUSHION ASSY	51500-L3A-000	●	
10.00	RR. FORK ASSY	5210A-L3A-000	IL	
11.00	RR. CUSHION ASSY	52400-L3A-000	KB	
12.00	THROT GRIP COMP	53140-L4A-000	●	
13.00	L HANDLE GRIP	53166-L4A-000	●	
14.00	UP HANDLE COVER A	53204-L3A-000	OQ	
15.00	UP HANDLE COVER B	53205-L3A-000	KA	
16.00	METER PANEL	53208-L3A-000	KA	
17.00	METER VISOR SUB ASSY	5320G-L3A-000	IL	
18.00	SYM MARK	83521-L4C-000	●	
19.00	S LOGO EMBLEM	87553-L4A-000	●	
20.00	FR. FENDER	61100-L3A-000	OQ3	
21.00	FR. UNDER SPOILER	64300-L3A-001	IL	
22.00	FR COVER	64301-L3A-000	OQ	
23.00	R. SIDE SPOILER	64304-L3A-000	OQ	
24.00	L. SIDE SPOILER	64305-L3A-000	OQ	
25.00	FLOOR PANEL	64310-L3A-010	KA	
26.00	FUEL CAP LID	64311-L3A-010	KA	
27.00	FRAME NUMBER LID	64313-F3C-000	KA	
28.00	R. FLOOR GARNISH	64313-L3A-000	IL	
29.00	L. FLOOR GARNISH	64314-L3A-000	IL	
30.00	R. FLOOR MAT A	64321-L3A-000	KA	
31.00	L. FLOOR MAT A	64322-L3A-000	KA	
32.00	R. FLOOR MAT B	64323-L3A-000	KA	
33.00	L. FLOOR MAT B	64324-L3A-000	KA	
34.00	WIND SCREEN SET	6710A-L3A-000	IL	
35.00	RR. BACK SEAT ASSY	77400-L3A-000	KA	
36.00	RR. FENDER	80100-L3A-000	KA	
37.00	RR. MUDGUARD	80106-L3A-000	KA	
38.00	INNER BOX	81131-L3A-000	KA	
39.00	MAIN SW. COVER	81132-L3A-000	KA	
40.00	INNER BOX LID	81141-L3A-000	IL	

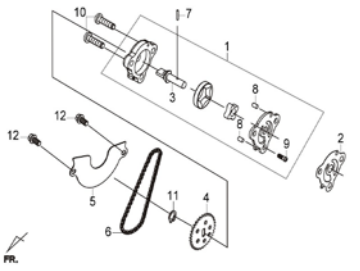
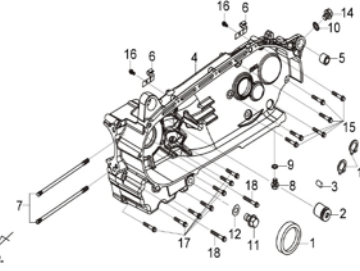
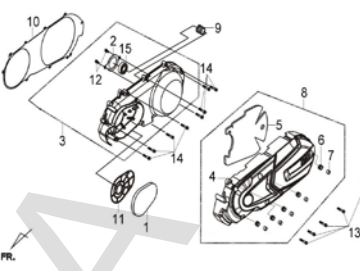
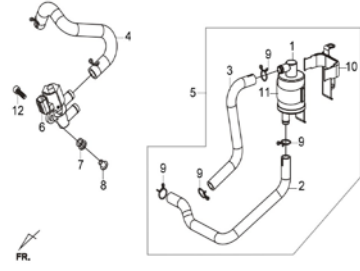
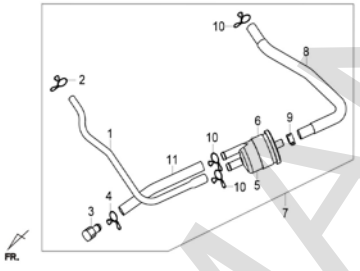


N O	MODEL	LN30W5-EU(GTS 300I ABS)		
	DATE	2013/12		
	BASIC COLOR	S		
	COLOR CODE	S-7S		
	Description	Parts Number	SILVER	
41.00	AIR DUCT COVER	81152-L3A-000	KA	
42.00	R. RR. CARRIER	81200-L3A-000	IL	
43.00	L. RR. CARRIER	81210-L3A-000	IL	
44.00	LUGGAGE BOX ASSY	8125A-L3A-010	KA	
45.00	R. BODY COVER	83500-L3A-000	OQ	
46.00	ABS EMBLEM	83501-L4C-000	●	
47.00	R. BODY COVER EMBLEM	87126-L3A-000	●	
48.00	I MARK	87129-HML-000	●	
49.00	R. SIDE COVER SET	8352G-L3A-000	OQ	
50.00	SYM MARK (90 STRIPE)	87121-A5W-000	T2	
51.00	L. BODY COVER	83600-L3A-000	OQ	
52.00	L. BODY COVER EMBLEM	87127-L3A-000	●	
53.00	L. SIDE COVER SET	8362G-L3A-000	OQ	
54.00	R. BACK MIRROR COMP-WITHOUT WINKER	88110-L3A-008	OQ	
55.00	R. BACK MIRROR SET	8811A-L3A-007	OQ	
56.00	L. BACK MIRROR COMP-WITHOUT WINKER	88120-L3A-008	OQ	
57.00	L. BACK MIRROR SET	8812A-L3A-007	OQ	

# CONTENTS-ENGINE GROUP

<p><b>E01</b> <b>CYLINDER HEAD COVER</b></p> 	<p><b>E02</b> <b>IN/EX. VALVE ROCKER ARM</b></p> 	<p><b>E03</b> <b>CYLINDER HEAD COMP</b></p> 
<p><b>E04</b> <b>INLET PIPE ASSY</b></p> 	<p><b>E05</b> <b>CAM SHAFT COMP</b></p> 	<p><b>E06</b> <b>CYL. HEAD SIDE COVER</b></p> 
<p><b>E07</b> <b>CYLINDER SET</b></p> 	<p><b>E08</b> <b>CRANK SHAFT COMP</b></p> 	<p><b>E09</b> <b>R. CRANK CASE COMP</b></p> 
<p><b>E10</b> <b>R. CASE COVER COMP</b></p> 	<p><b>E11</b> <b>MOVABLE DRIVE FACE</b></p> 	<p><b>E12</b> <b>DRIVEN PULLEY ASSY</b></p> 
<p><b>E13</b> <b>MISSION CASE COMP</b></p> 	<p><b>E14</b> <b>WATER PUMP COVER</b></p> 	<p><b>E15</b> <b>FLYWHEEL &amp; STATOR</b></p> 

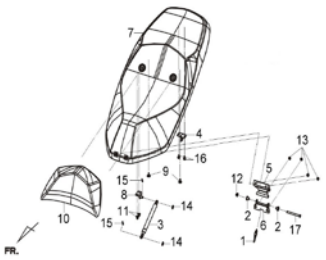
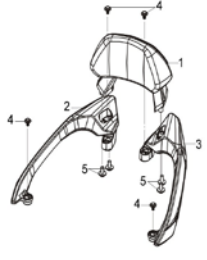
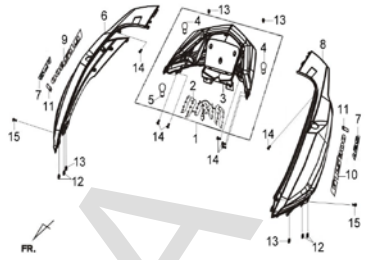
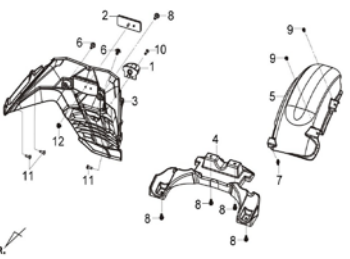
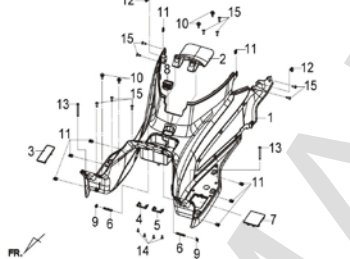
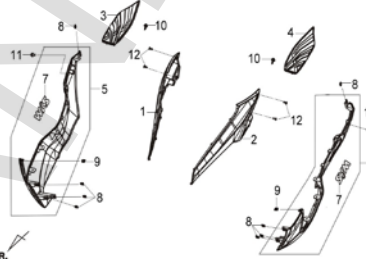
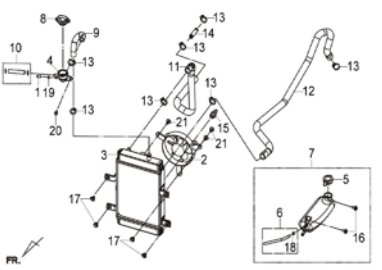
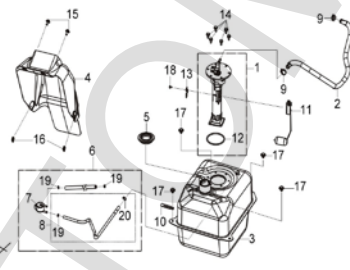
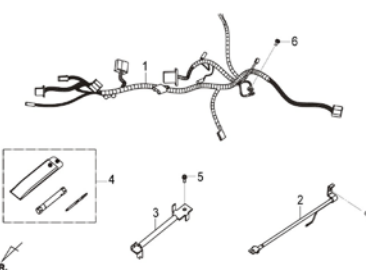
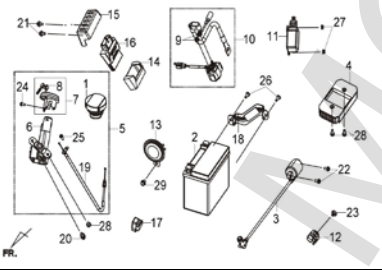
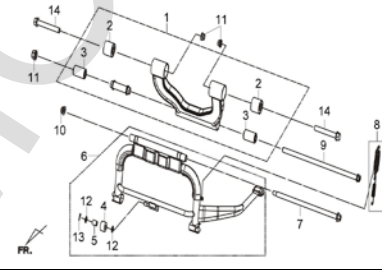
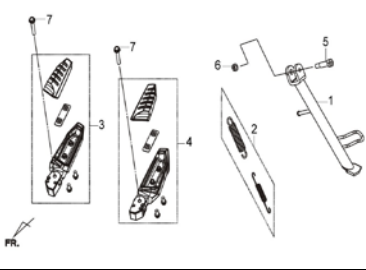
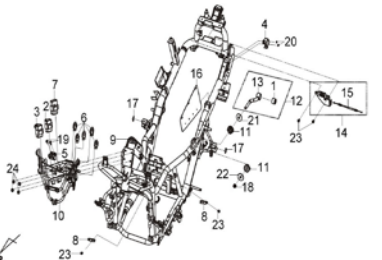
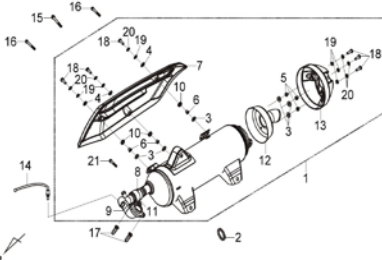
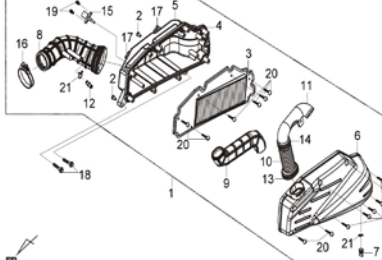
# CONTENTS-ENGINE GROUP

E16 OIL PUMP ASSY	E17 L. CRANK CASE COMP	E18 L. CRANK CASE COVER
		
E19 A.I.S.V. ASSY	E20 BREATHER CHAMBER	
		

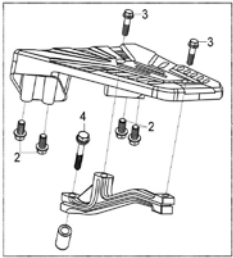
# CONTENTS—FRAME GROUP

<p><b>F01</b> <b>HEAD LIGHT</b></p>	<p><b>F02</b> <b>FR. COVER</b></p>	<p><b>F03</b> <b>METER &amp; WIND SCREEN</b></p>
<p><b>F04</b> <b>UP HANDLE COVER &amp; R/L MIRRO STRG. HANDLE COMP</b></p>	<p><b>F05</b></p>	<p><b>F06</b> <b>FR. BRAKE</b></p>
<p><b>F07</b> <b>RR. BRAKE</b></p>	<p><b>F08</b> <b>FR. WHEEL</b></p>	<p><b>F09</b> <b>STRG. STEM &amp; R/L CUSHION</b></p>
<p><b>F10</b> <b>FR. FENDER</b></p>	<p><b>F11</b> <b>RR. FORK ASSY</b></p>	<p><b>F12</b> <b>R. WHEEL &amp; RR. CUSHION</b></p>
<p><b>F13</b> <b>INNER BOX</b></p>	<p><b>F14</b> <b>UNDER COVER</b></p>	<p><b>F15</b> <b>LUGGAGE BOX ASSY</b></p>

# CONTENTS—FRAME GROUP

<p><b>F16</b> <b>DOUBLE SEAT</b></p> 	<p><b>F17</b> <b>R/L RR. CARRIER</b></p> 	<p><b>F18</b> <b>BODY COVER</b></p> 
<p><b>F19</b> <b>TAIL LIGHT</b></p> 	<p><b>F20</b> <b>FLOOR PANEL</b></p> 	<p><b>F21</b> <b>R/L SIDE COVER</b></p> 
<p><b>F22</b> <b>RADIATOR ASSY</b></p> 	<p><b>F23</b> <b>FUEL TANK</b></p> 	<p><b>F24</b> <b>WIRE HARNESS</b></p> 
<p><b>F25</b> <b>ELECTRIC PART</b></p> 	<p><b>F26</b> <b>MAIN STAND ASSY</b></p> 	<p><b>F27</b> <b>SIDE STAND &amp; R/L. STEP BAR</b></p> 
<p><b>F28</b> <b>FRAME BODY</b></p> 	<p><b>F29</b> <b>MUFFLER ASSY</b></p> 	<p><b>F30</b> <b>AIRCLEANER ASSY</b></p> 

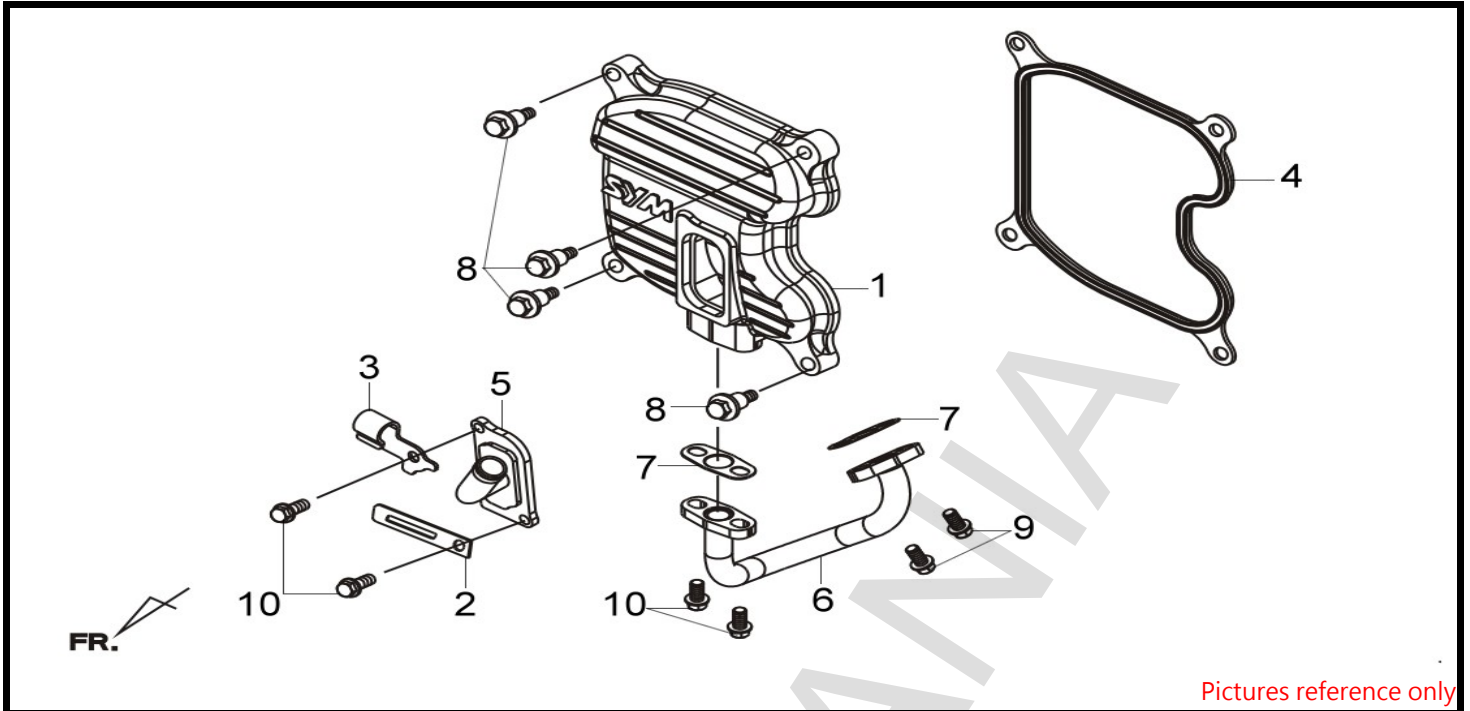
# CONTENTS—FRAME GROUP

F31 TRUNK BOX BRACKET ASSY		
		



E01  
CYLINDER HEAD COVER

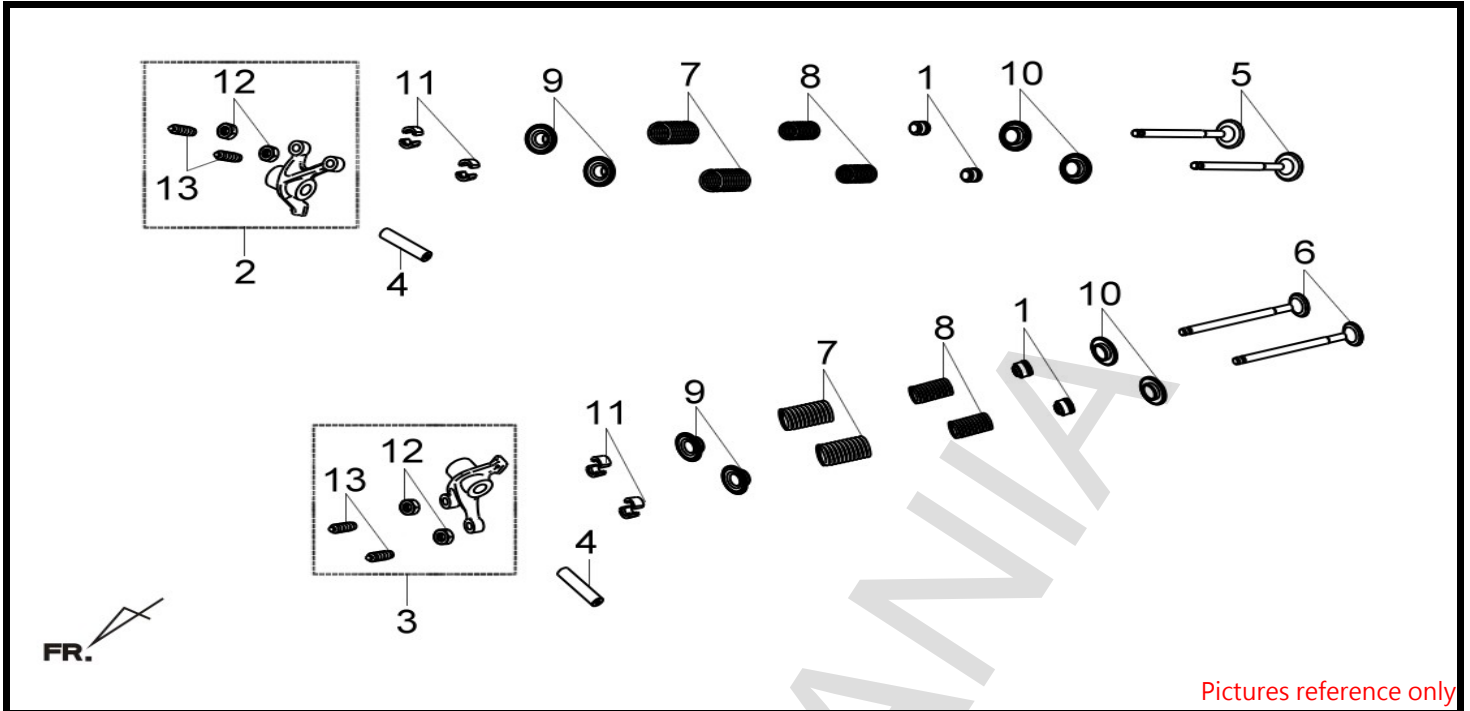
LN30W5-EU (GTS 300I ABS)



Pictures reference only

NO	PARTS NUMBER	DESCRIPTION	QTY	EFFECTIVE DATE
1.0	12301-HMA-000	CYLINDER HEAD COVER	1	
2.0	12342-X01-000	CLAMP	1	
3.0	12363-L2E-010	IGNITION COIL CLAMP	1	
4.0	12391-HMA-000	CYLINDER HEAD COVER GASKE	1	
5.0	18610-L2E-000	REED VALVE COMP	1	
6.0	18647-HMA-000	AIR PIPE COMP	1	
7.0	18654-N14-000	AIR PIPE GASKET	2	
8.0	90002-HMA-000	CYLINDER HEAD COVER BOLT	4	
9.0	96001-06014-00	FLANGE BOLT SH 6X14	2	
10.0	96001-06016-00	FLANGE BOLT SH 6X16	4	

IN/EX. VALVE ROCKER ARM



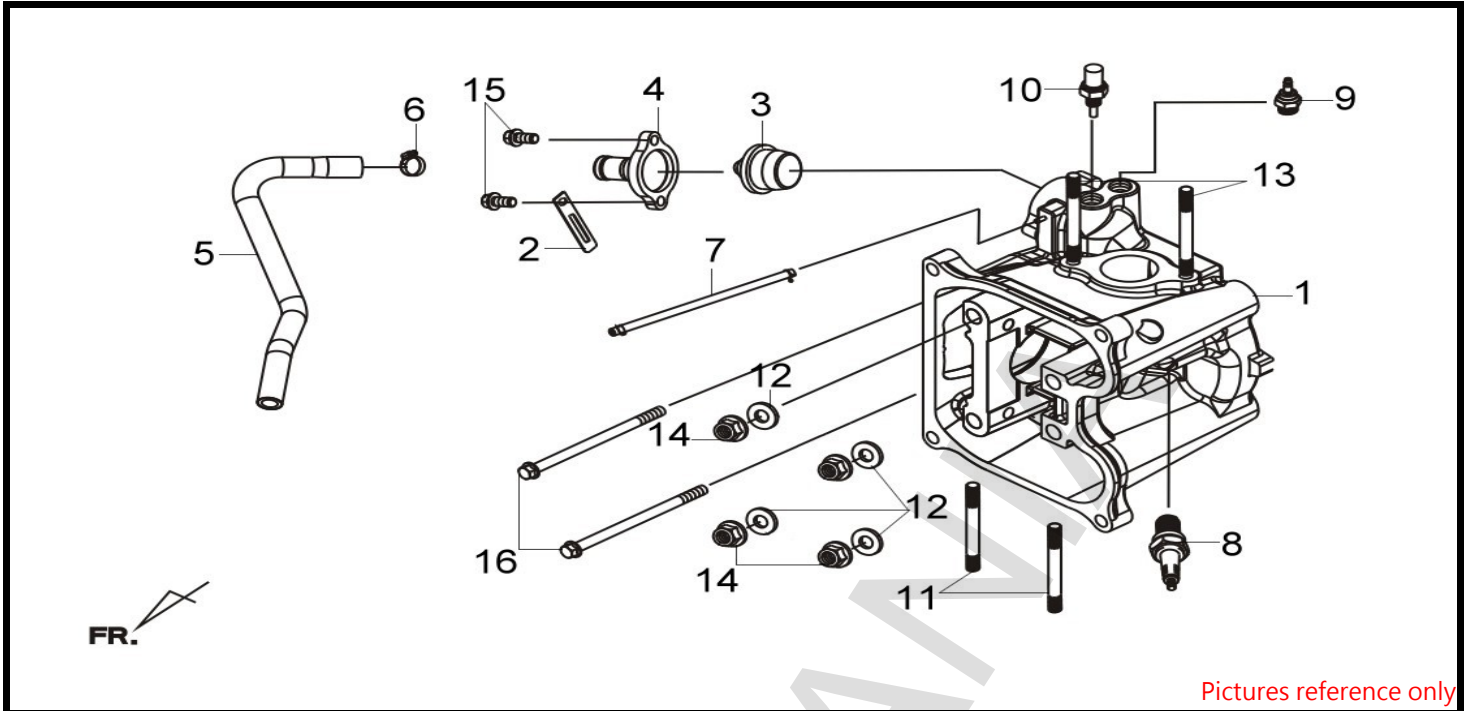
Pictures reference only

NO	PARTS NUMBER	DESCRIPTION	QTY	EFFECTIVE DATE
1.0	12209-H6B-900	VALVE STEM SEAL	4	
2.0	1443A-LEA-000	IN VALVE ROCKER ARM ASSY	1	
3.0	1444A-LEA-000	EX VALVE ROCKER ARM ASSY	1	
4.0	14451-HMA-000	ROCKER ARM SHAFT	2	
5.0	14711-HMA-000	INLET VALVE	2	
6.0	14721-RFS-000	EX.VALVE	2	
7.0	14751-HMA-000	VALVE OUTER SPRING	4	
8.0	14761-HMA-000	INNER VALVE SPRING	4	
9.0	14771-GB4-680	VALVE SPRING RETAINER	4	
10.0	14777-KN7-670	VALVE SPRING SEAT	4	
11.0	14781-M9Q-000-A	VALVE COTTER SET(1SET/4PCS)	2	
12.0	90012-HLK-000	TAPPET ADJUSTING SCREW	4	
13.0	90206-HLK-000	TAPPET ADJUSTING NUT	4	



E03  
CYLINDER HEAD COMP

LN30W5-EU (GTS 300I ABS)

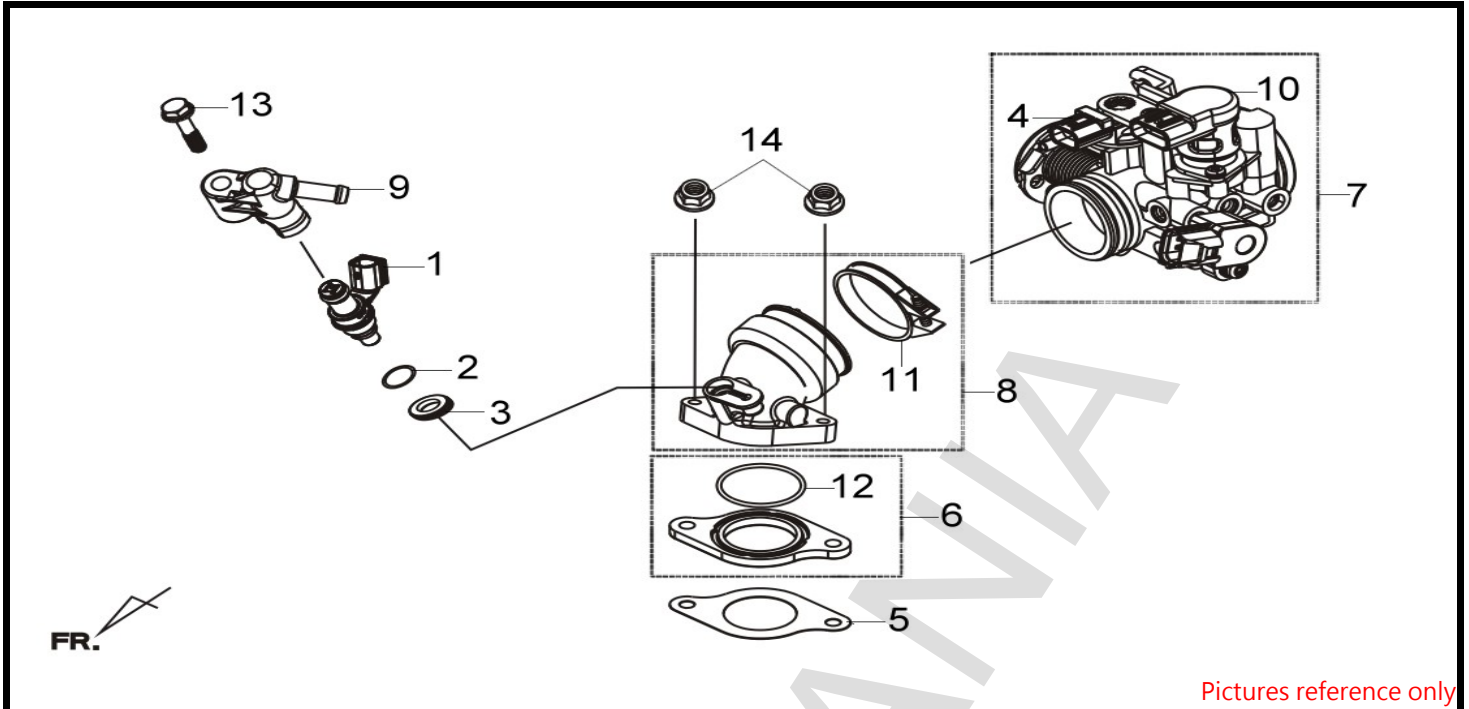


Pictures reference only

NO	PARTS NUMBER	DESCRIPTION	QTY	EFFECTIVE DATE
1.0	12200-L3A-010	CYLINDER HEAD COMP	1	
2.0	12342-X01-000	CLAMP	1	
3.0	19300-HMA-000	THERMOSTAT ASSY.	1	
4.0	19315-L3A-010	THERMOSTAT COVER	1	
5.0	19502-L3A-000	WATER HOSE	1	
6.0	19505-REA-000	HOSE CLAMP	1	
7.0	1951A-HMA-010	THERMOSTAT TUBE ASSY	1	
8.0	1PCR8E-3	PLUG CR8E	1	
9.0	37750-PC1-004	THERMO UNIT ASSY	1	
10.0	37880-HMC-000	TW SENSOR	1	
11.0	90034-HMA-000	SPECIAL STUD BOLT 8*40	2	
12.0	90442-HMA-000	SEAL WASHER	4	
13.0	92900-06028-0B	STUB BOLT 6X28	2	
14.0	94050-10080	FLANGE NUT 10MM	4	
15.0	96001-06016-00	FLANGE BOLT SH 6X16	2	
16.0	96001-06090-00	FLANGE SH BOLT 6X90	2	

E04  
INLET PIPE ASSY

LN30W5-EU (GTS 300I ABS)

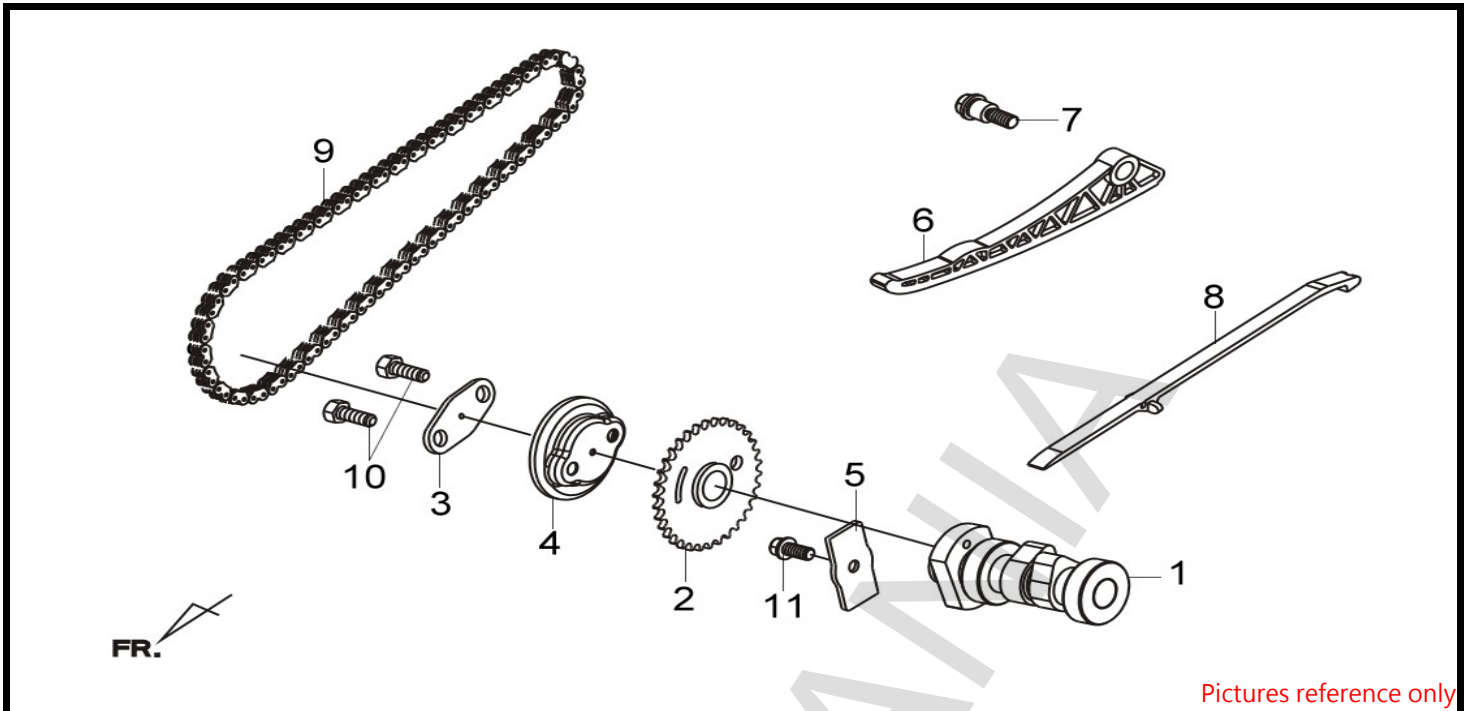


Pictures reference only

NO	PARTS NUMBER	DESCRIPTION	QTY	EFFECTIVE DATE
1.0	06414-LEF-000	FUEL INJECTOR	1	
2.0	06415-HNS-000	O-RING	1	
3.0	06416-HNS-000	SEAL-RING	1	
4.0	1614-906-0002	MAP SENSOR (16401-HML-000)	1	
5.0	16201-HMC-000	CARB. INSULATOR GASKET	1	
6.0	1621A-HMC-000	CARBURETOR INSULATOR ASSY	1	
7.0	16401-L3A-000	THROTTLE BODY ASSY	1	
8.0	1711A-LEF-900	INLET PIPE ASSY	1	
9.0	17120-LEF-000	FUEL INJECTOR CUP	1	
10.0	3700-A35B-0100	ISC VALVE	1	
11.0	90653-HMA-000	INLET PIPE BAND 48	1	
12.0	91308-HMA-000	O-RING 34*2.0	1	
13.0	92101-06016-0H	HEX BOLT 6*16	1	
14.0	94050-06000	FLANGE NUT 6MM	2	

E05  
CAM SHAFT COMP

LN30W5-EU (GTS 300I ABS)

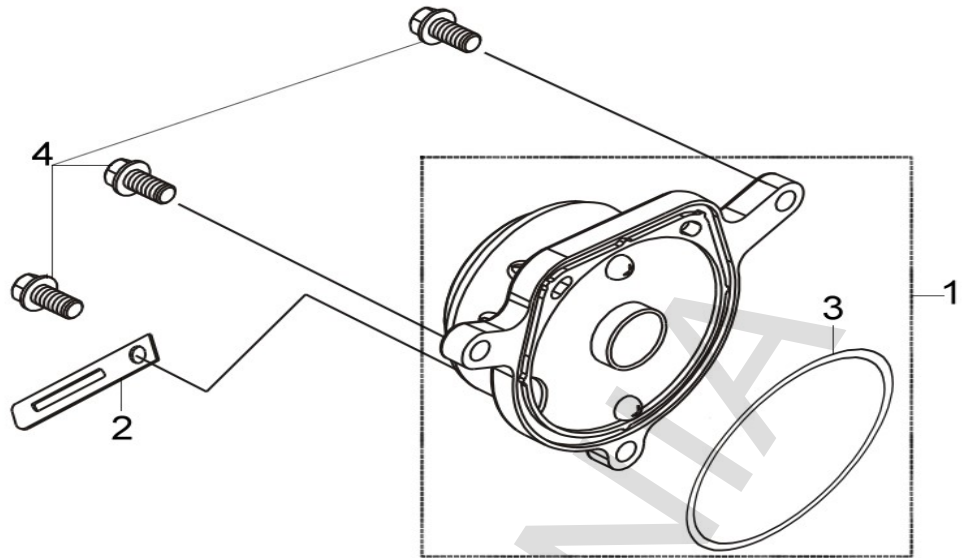


Pictures reference only

NO	PARTS NUMBER	DESCRIPTION	QTY	EFFECTIVE DATE
1.0	14100-RFB-000	CAM SHAFT COMP	1	
2.0	14105-RFA-000	CAM SPROCKET	1	
3.0	14105-X01-000	CAM SPROCKET WASHER	1	
4.0	14108-M36-000	CENTRIFUGAL DISK	1	
5.0	14457-HMA-000	CAM SHAFT SETTING PLATE1.	1	
6.0	14510-RFA-000	CAM CHAIN TENSIONER	1	
7.0	14531-KJ9-000	CAM CHAIN TENSIONERPIVOT	1	
8.0	14610-RFA-000	CAM CHAIN GUIDE	1	
9.0	1C14401-RFA-000	CAM CHAIN 92RH2010-100L	1	
10.0	92101-06016-0H	HEX BOLT 6*16	2	
11.0	96001-06014-00	FLANGE BOLT SH 6X14	1	

E06  
CYL. HEAD SIDE COVER

LN30W5-EU (GTS 300I ABS)

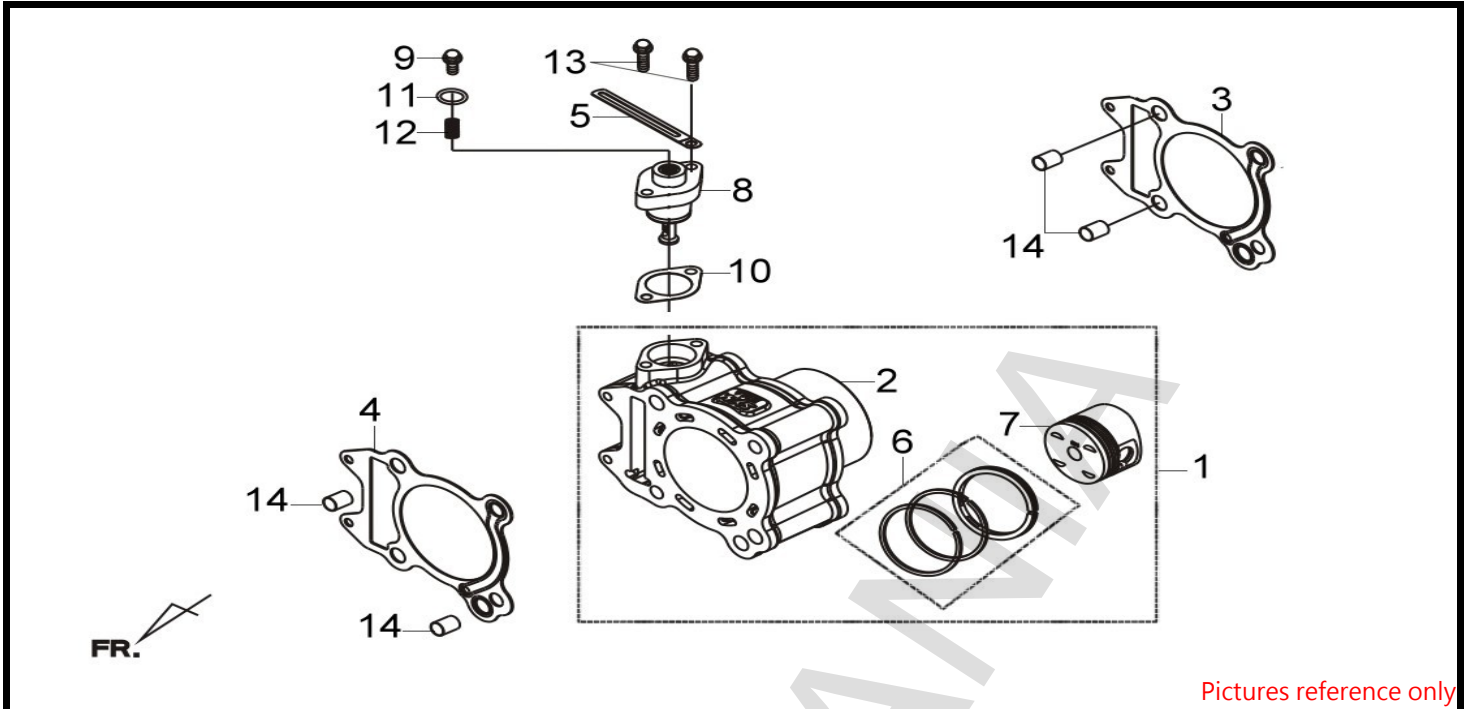


Pictures reference only

NO	PARTS NUMBER	DESCRIPTION	QTY	EFFECTIVE DATE
1.0	1231A-L3A-000	CYL. HEAD SIDE COVER ASSY	1	
2.0	12342-X01-000	CLAMP	1	
3.0	91301-HMA-000	HEAD SIDE COVER O-RING	1	
4.0	96001-06018-00	FLANGE BOLT SH 6X18	3	

E07  
CYLINDER SET

LN30W5-EU (GTS 300I ABS)

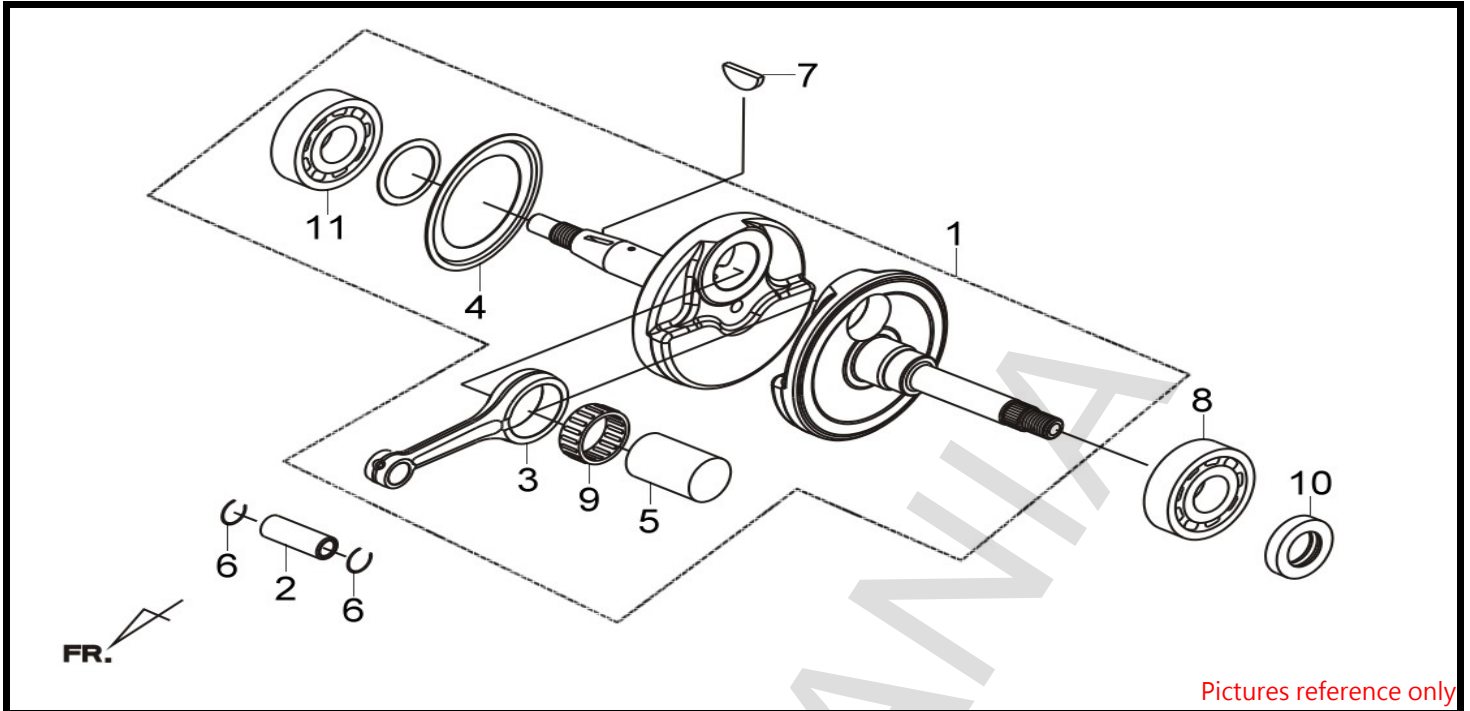


Pictures reference only

NO	PARTS NUMBER	DESCRIPTION	QTY	EFFECTIVE DATE
1.0	12100-L3A-000-A	CYLINDER ASSY	1	
2.0	12100-RFA-000	CYLINDER COMP	1	
3.0	12191-RFA-000	CYLINDER GASKET	1	
4.0	12251-RFA-000	CYLINDER HEAD GASKET	1	
5.0	12342-G02-000	CLAMP	1	
6.0	13010-L3A-000	PISTON RING SET	1	
7.0	13101-L3A-000	PISTON	1	
8.0	14520-H6T-000	TENSIONER LIFTER	1	
9.0	14522-H6T-000	TENSIONER ADJUSTER BOLT	1	
10.0	14523-M9Q-000	TENSIONER LIFTER GASKET	1	
11.0	14524-H6T-000	OIL-RING	1	
12.0	14525-H6T-000	ADJUSTER SPRING	1	
13.0	90001-RFS-000	FLANGE SHF BOLT 6X22	2	
14.0	94301-12200	DOWEL PIN 12*20	4	

E08  
CRANK SHAFT COMP

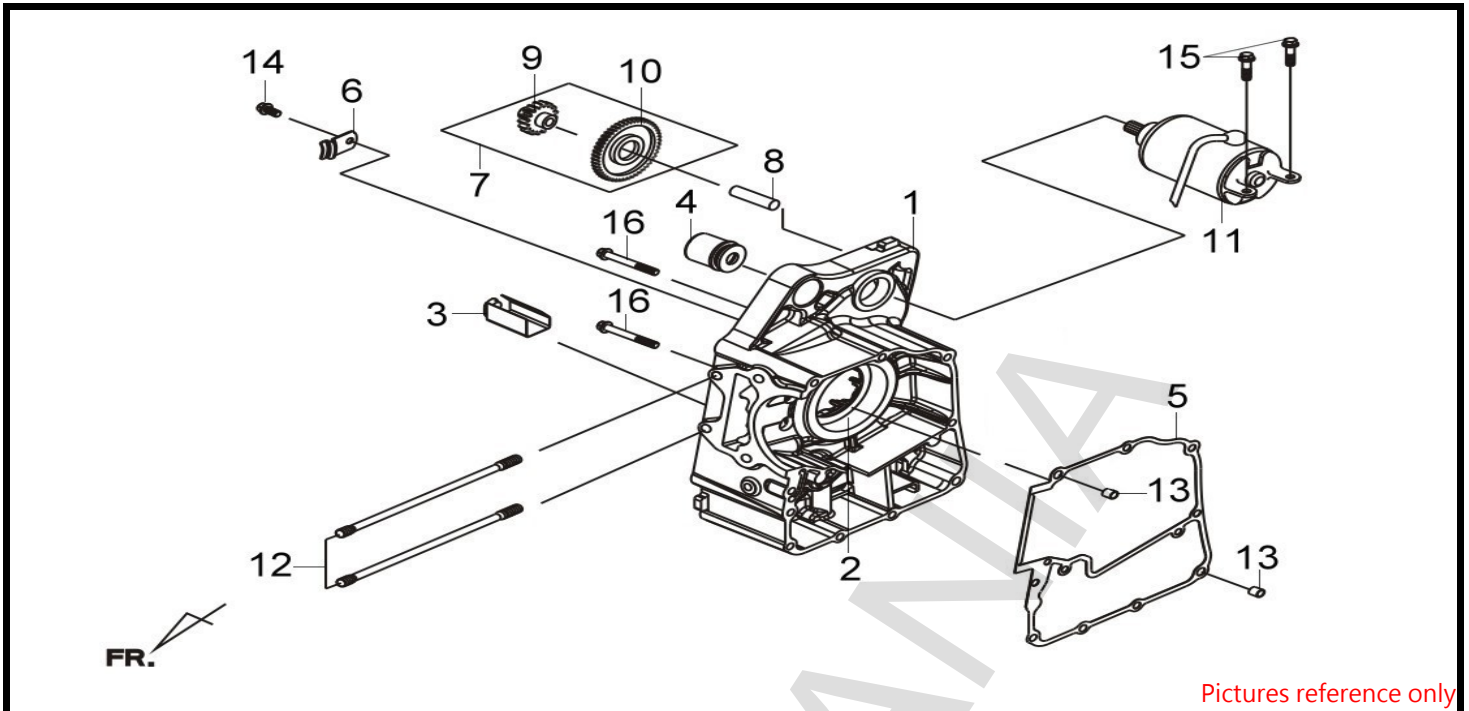
LN30W5-EU (GTS 300I ABS)



Pictures reference only

NO	PARTS NUMBER	DESCRIPTION	QTY	EFFECTIVE DATE
1.0	13000-L3A-000	CRANK SHAFT COMP	1	
2.0	13111-HMA-000	PISION PIN	1	
3.0	13201-L3A-000	CONNECTING ROD	1	
4.0	13371-HMA-300	R CRANK SIDE PLATE	1	
5.0	13381-HMA-300	CRANK PIN	1	
6.0	90601-HMA-000	PISTON PIN CLIP	2	
7.0	90701-HB6-010	WOODRUFF KEY 25X14X4	1	
8.0	91001-HMA-000	RADIAL BALL BRG. TMB306	1	
9.0	91003-LEA-000	CONN. ROD BRG.KU32*41*17.8	1	
10.0	91201-HMA-300	OIL SEAL	1	
11.0	96100-62070-10	RADIAL BALL BEARING. 6207	1	

## R. CRANK CASE COMP

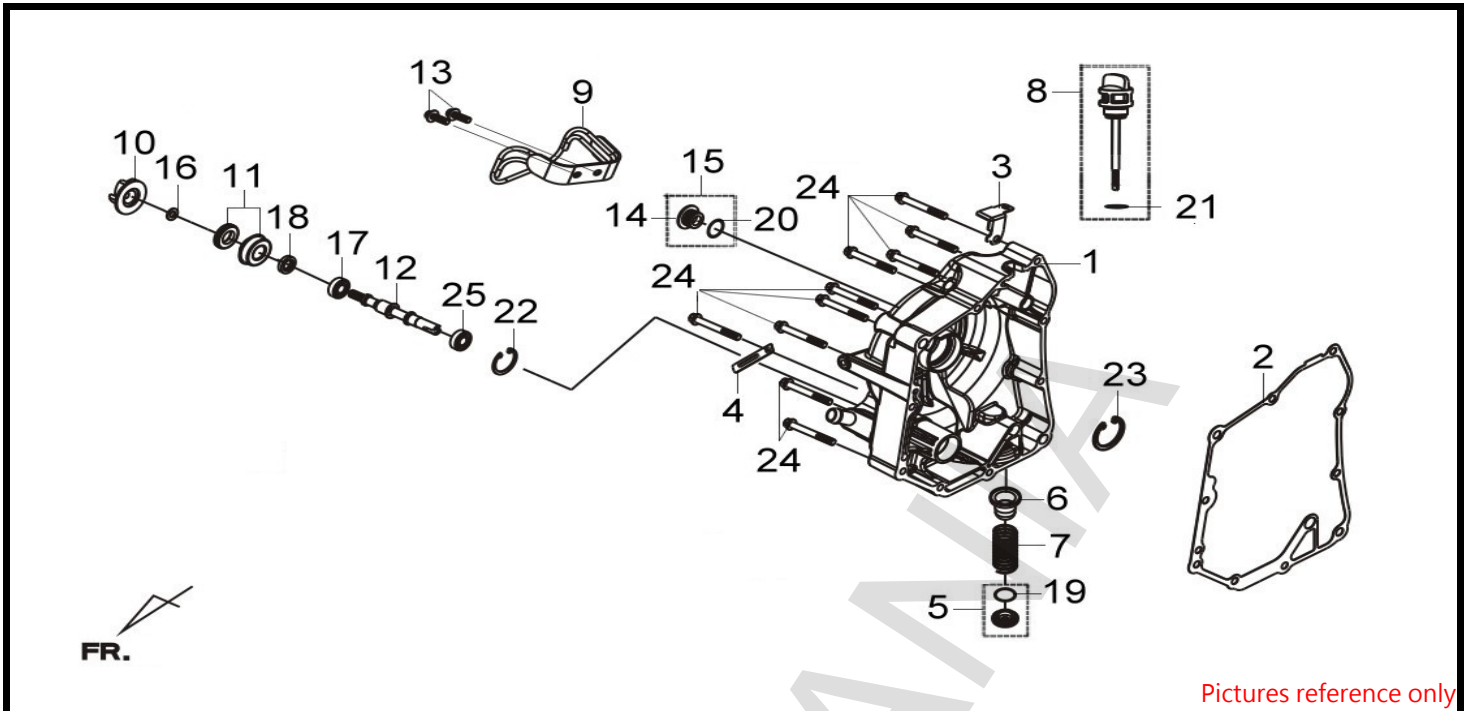


Pictures reference only

NO	PARTS NUMBER	DESCRIPTION	QTY	EFFECTIVE DATE
1.0	11100-L3A-000	R. CRANK CASE COMP	1	
2.0	11102-HMA-300	CRANK CASE BUSH 72MM	1	
3.0	11107-HMA-000	MAGNET PLATE	1	
4.0	11120-LEA-000	ENGINE HANGER BUSH ASSY	1	
5.0	11191-L3A-000	CRANK CASE GASKET	1	
6.0	14151-RFA-000	CAM CHAIN SETTING PLATE	1	
7.0	28101-RB1-000	STARTER REDUCTION GEAR COMP	1	
8.0	28102-RB1-000	START.REDUCTION GEAR SHAFT(S10X37)	1	
9.0	28103-RB1-000	STARTER RIDUCTION GEAR A	1	
10.0	28105-HMA-300	STARTER RIDUCTION GEAR B	1	
11.0	31200-L3D-000	START MOTOR ASSY	1	
12.0	90031-HMA-000	CYLINDER STUD BOLT A	2	
13.0	94301-08140	DOWEL PIN 8X14	2	
14.0	96001-06012-08	FLANGE BOLT SH 6X12	1	
15.0	96001-06022-00	FLANGE BOLT SH 6X22	2	
16.0	96001-06055-00	BOLT FLANGE SH 6X55	2	



## R. CASE COVER COMP



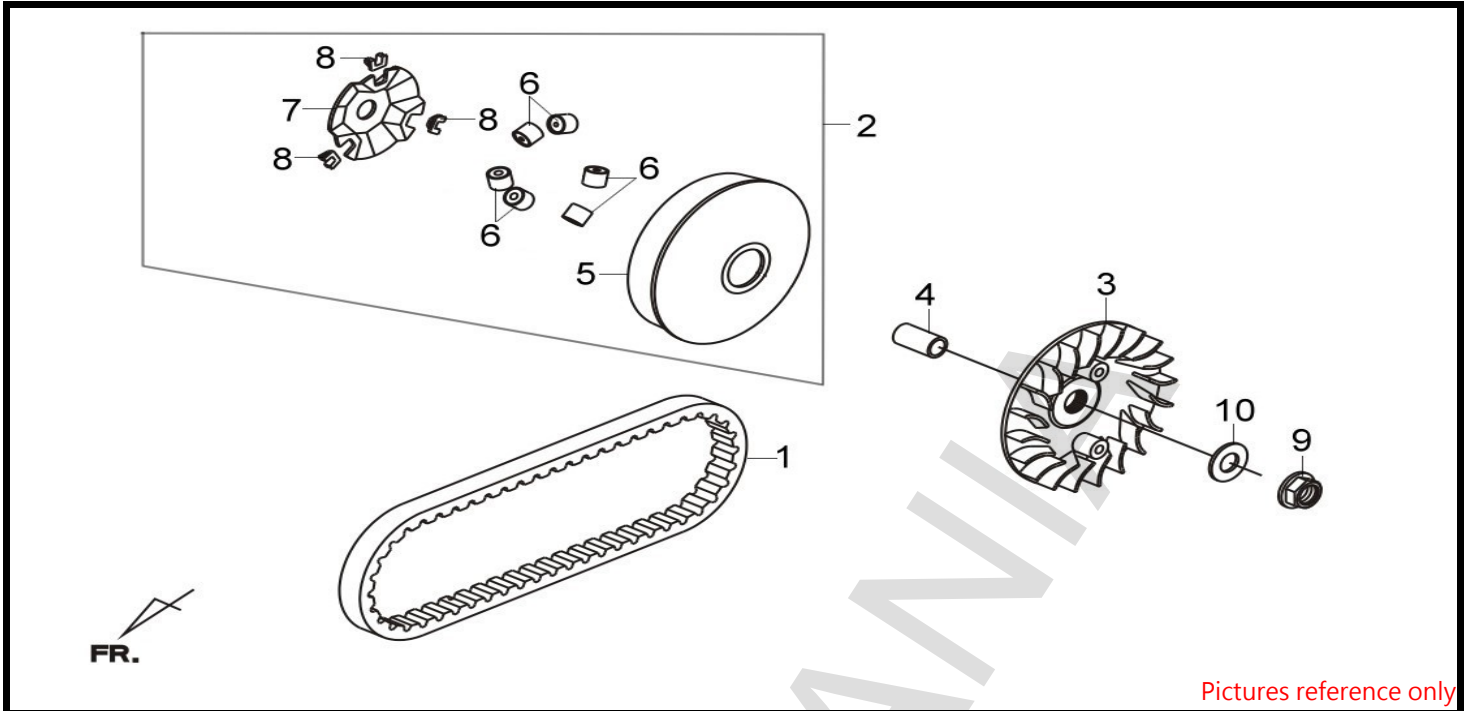
Pictures reference only

NO	PARTS NUMBER	DESCRIPTION	QTY	EFFECTIVE DATE
1.0	11330-L3A-000	R. CASE COVER COMP	1	
2.0	11394-HMA-000	R. CRANK CASE COVER GASKET	1	
3.0	11832-L3A-000	O2 SENSOR COUPLER STAY	1	
4.0	12342-X01-000	CLAMP	1	
5.0	1236A-V02-000	TAPPET ADJ HOLE CAP ASSY	1	
6.0	15421-B9D-000	OIL FILTER SCREEN	1	
7.0	15426-GE1-920	OIL FILTER SCREEN SPRING	1	
8.0	1565A-LEA-000	OIL LEVEL GAUGE ASSY	1	
9.0	18241-L3A-000	EXH. PIPE PROTECTOR	1	
10.0	19215-HLA-000	WATER PUMP IMPELLER	1	
11.0	19217-H9A-300	MECHANICAL SEAL	1	
12.0	19231-HMA-000	WATER PUMP SHAFT	1	
13.0	90003-L3A-000	WASHER BOLT 6X20	2	
14.0	90084-H9A-000	A.C.GEN. CAP 14MM	1	
15.0	9008A-H9A-000	A.C.G. CAP ASSY 14MM	1	
16.0	90423-KJ9-000	WASHER 7.2X13X1.2	1	
17.0	91001-KJ9-005	RADIAL BALL BRG.6901	1	
18.0	91205-KF0-003	OIL SEAL 12X20X5	1	
19.0	91302-M9Q-000	O-RING 30.8MM	1	
20.0	91303-377-000	O-RING 13.8X2.5	1	
21.0	91307-035-000	O-RING 18X3	1	
22.0	94520-26000	CIRCLIP IN 26MM	1	
23.0	94520-32000	IN CIRCLIP 32MM	1	
24.0	96001-06045-00	FLANGE BOLT 6X45	10	
25.0	96100-60000-00	RADIAL BALL BRG. 6000CM	1	



E11  
MOVABLE DRIVE FACE

LN30W5-EU (GTS 300I ABS)

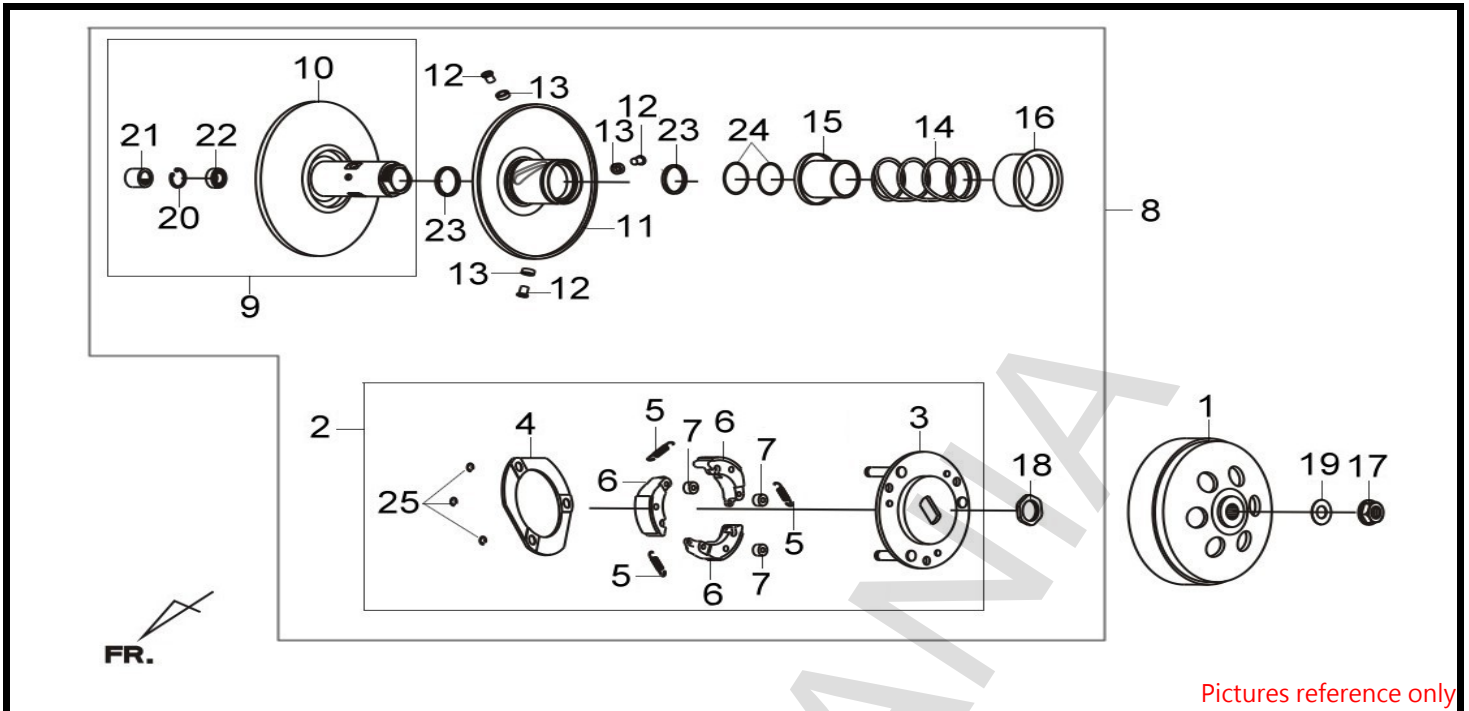


Pictures reference only

NO	PARTS NUMBER	DESCRIPTION	QTY	EFFECTIVE DATE
1.0	1B01L3A01	DRIVE BELT 902X23.4X28	1	
2.0	22000-RB1-000	MOVABLE DRIVE FACE ASSY.	1	
3.0	22102-HMA-000	DRIVE FACE	1	
4.0	22105-HMA-000	DRIVE FACE BOSS	1	
5.0	22110-HMA-000	MOVABLE DRIVE FACE COMP	1	
6.0	22121-RB1-001-A	WEIGHT ROLLER COMP(6PCS)(18G)	1	
7.0	22131-HMA-000	RAMP PLATE	1	
8.0	22132-HMA-000-A	SLIDE PIECE SET(3PCS/1SET)	1	
9.0	90201-KR8-751-M1	FLANGE NUT 14MM	1	
10.0	90401-KJ9-000	THRUST WASHER 14X28X2	1	

E12  
DRIVEN PULLEY ASSY

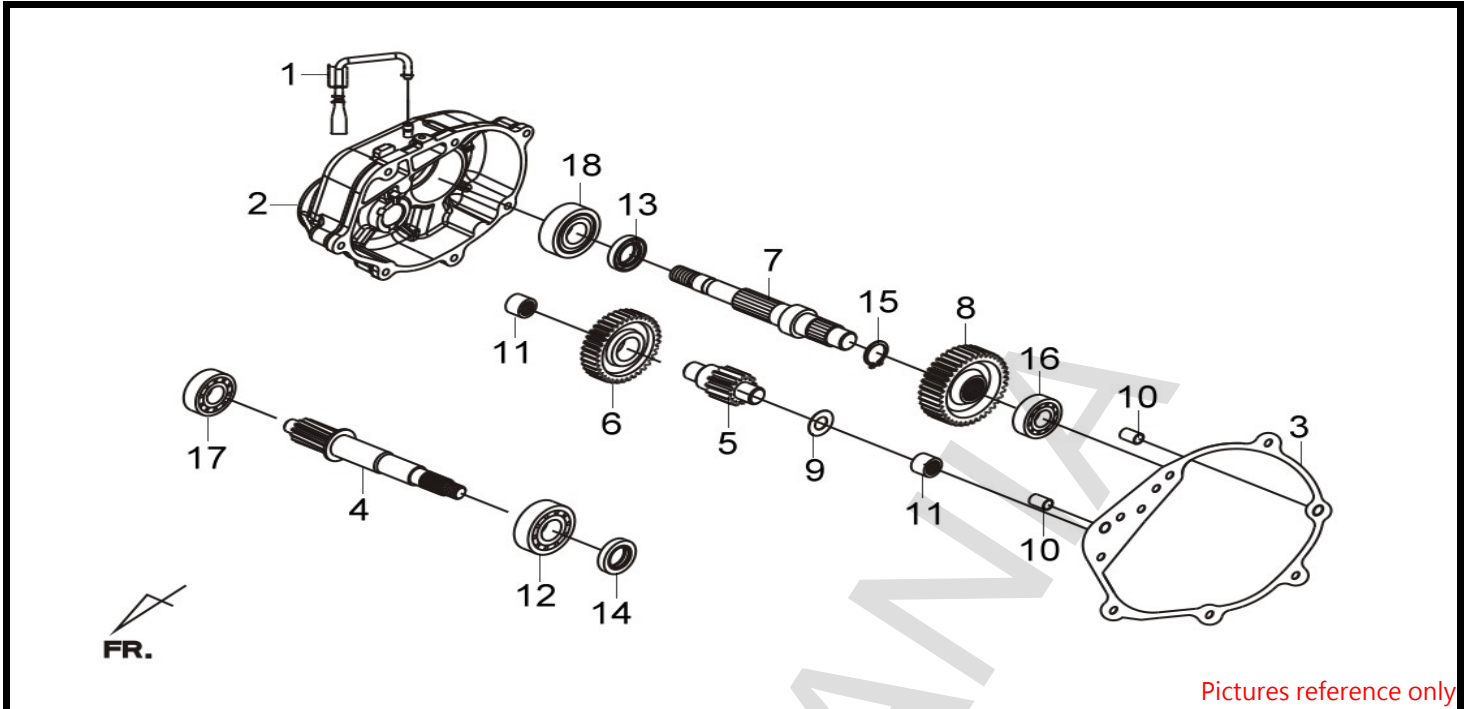
LN30W5-EU (GTS 300I ABS)



NO	PARTS NUMBER	DESCRIPTION	QTY	EFFECTIVE DATE
1.0	22101-HMA-000	CLUTCH OUTER	1	
2.0	22300-L3D-000	DRIVE PLATE ASSY	1	
3.0	22350-HMA-000	DRIVE PLATE COMP.	1	
4.0	22361-HMA-000	CLUTCH SIDE PLATE	1	
5.0	22401-HMA-000	CLUTCH SPRING	3	
6.0	22530-L3D-000-A	CLUTCH WEIGHT(3PCS)	1	
7.0	22804-HMA-000	CLUTCH DAMPER RUBBER	3	
8.0	23010-L3D-000	DRIVEN PULLEY ASSY	1	
9.0	23200-L3A-000	DRIVEN FACE ASSY	1	
10.0	23210-L3A-000	DRIVEN FACE COMP	1	
11.0	23220-HMA-000	MOVABLE DRIVEN FACE COMP	1	
12.0	23225-HMA-000	ROLLER GUIDE PIN	3	
13.0	23226-HMA-000	GUIDE ROLLER	3	
14.0	23233-HMA-000	DRIVEN FACE SPRING	1	
15.0	23237-L4A-000	SEAL COLLAR	1	
16.0	23238-L3A-000	SPRING COLLAR	1	
17.0	90201-KR8-751-M1	FLANGE NUT 14MM	1	
18.0	90202-HMA-000	SPECIAL NUT	1	
19.0	90401-KJ9-000	THRUST WASHER 14X28X2	1	
20.0	90602-HMA-000	IN. CIRCLE CLIP	1	
21.0	91006-HMA-300	NEEDLE BREAINING	1	
22.0	91007-HMA-300	RADIAL BALL BRG.	1	
23.0	91211-HMA-000	OIL SEAL	2	
24.0	91305-HMA-000	O-RING 47*2.0	2	
25.0	94540-08010	E-RING	3	

E13  
MISSION CASE COMP

LN30W5-EU (GTS 300I ABS)

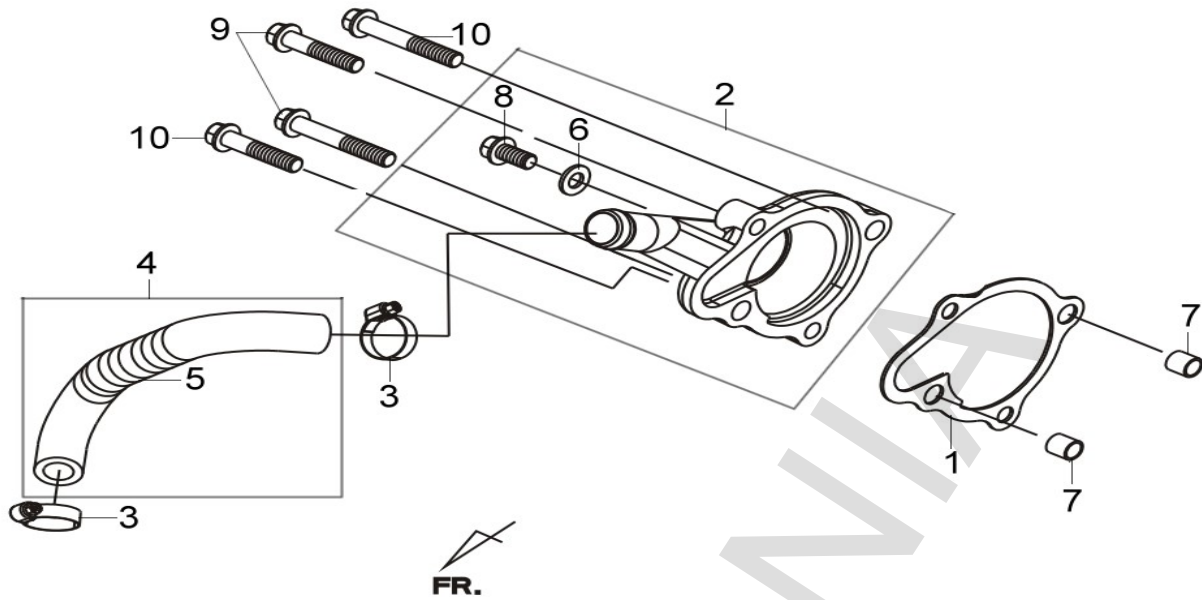


Pictures reference only

NO	PARTS NUMBER	DESCRIPTION	QTY	EFFECTIVE DATE
1.0	1122A-HMA-000	MISSION BREATHER TUBE ASSY	1	
2.0	21200-L3A-000	MISSION CASE COMP	1	
3.0	21395-L3A-000	MISSION CASE GASKET	1	
4.0	23411-LEA-000	DRIVE SHAFT	1	
5.0	23421-L3A-300	COUNTER SHAFT	1	
6.0	23422-HMA-300	COUNTER GAER	1	
7.0	23431-L3A-000	FINAL SHAFT	1	
8.0	23432-L3A-000	FINAL GEAR	1	
9.0	90401-HMA-000	THRUST WASHER 15MM	1	
10.0	90703-M8Q-000	DOWEL PIN 10X14	2	
11.0	91002-HWA-000-M1	NEEDLE BRG.NK15*23*16	2	
12.0	91009-HMC-000	BALL RADIAL BRG.CSB205 JR2C3	1	
13.0	91203-HMA-000	OIL SEAL	1	
14.0	91204-HMA-000	OIL SEAL	1	
15.0	94510-30000	EX. CIRCLIP 30MM	1	
16.0	96100-62050-10	RADIAL BALL BEARING 6205/2AS	1	
17.0	96100-63020-00	RAD.BALL.BRG.6302	1	
18.0	96150-62050-10	RADIAL BALL BRG. 6205LLU	1	

E14  
WATER PUMP COVER

LN30W5-EU (GTS 300I ABS)

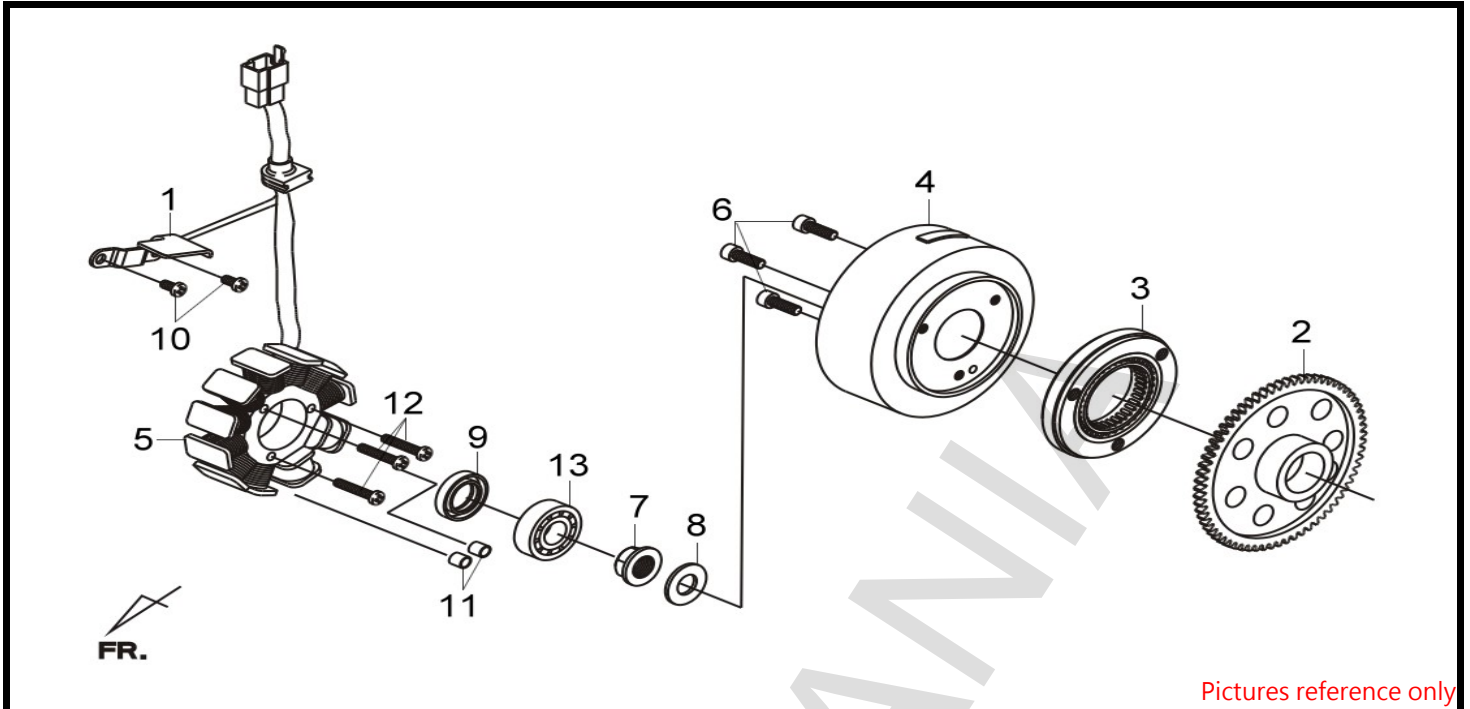


Pictures reference only

NO	PARTS NUMBER	DESCRIPTION	QTY	EFFECTIVE DATE
1.0	19229-H9A-000	WATER PUMP GASKET	1	
2.0	1922A-LEA-000	WATER PUMP COVER ASSY	1	
3.0	19505-KS6-700	WATER HOSE CLAMP A	2	
4.0	1950A-LEA-000	WATER HOSE ASSY	1	
5.0	19604-H01-000	LH. WATER HOSE GUARD WIRE	1	
6.0	90478-700-000	WASHER A. 6MM	1	
7.0	94301-08140	DOWEL PIN 8X14	2	
8.0	96001-06010-00	SH FLANGE BOLT 6X10	1	
9.0	96001-06022-00	FLANGE BOLT SH 6X22	2	
10.0	96001-06032-00	FLANGE BOLT SH 6X32	2	

E15  
FLYWHEEL & STATOR

LN30W5-EU (GTS 300I ABS)

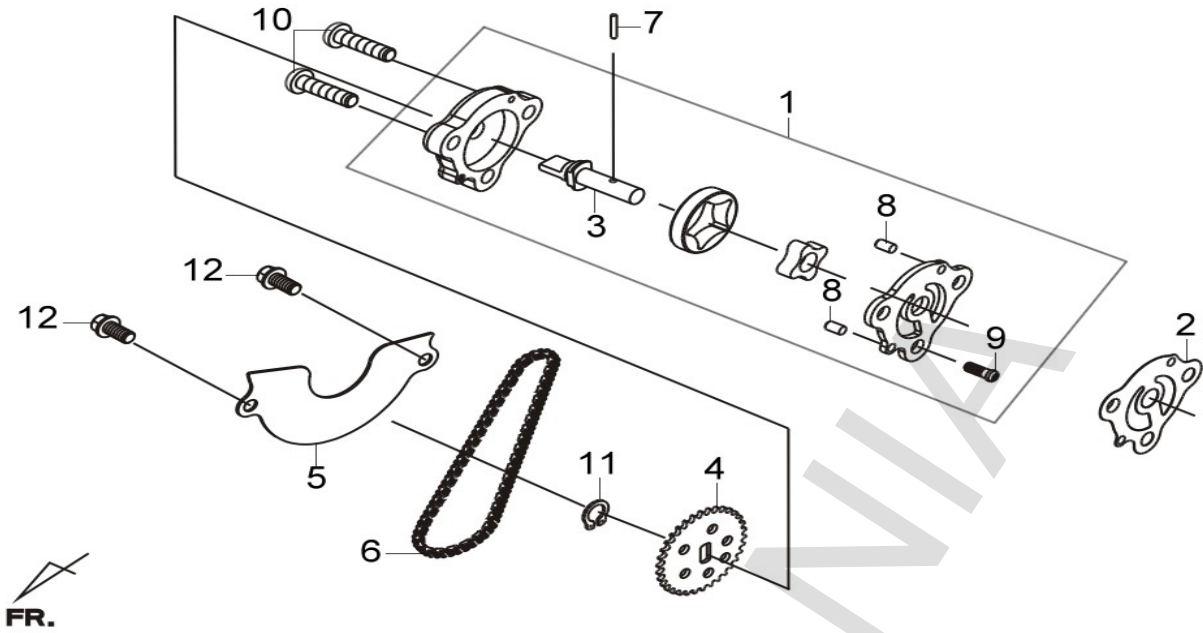


Pictures reference only

NO	PARTS NUMBER	DESCRIPTION	QTY	EFFECTIVE DATE
1.0	15713-HMC-010	OIL BAFFLEPLATE	1	
2.0	28110-HMA-000	STARTING CLUTCH GEAR COMP	1	
3.0	2812A-HMA-000	ONE WAY CLUTCH ASSY	1	
4.0	31110-L3A-000	FLYWHEEL COMP	1	
5.0	31120-L3A-000	STATOR COMP	1	
6.0	90157-F3G-000	SOCKET BOLT 8X20	3	
7.0	90201-KR8-751-M1	FLANGE NUT 14MM	1	
8.0	90401-KJ9-000	THRUST WASHER 14X28X2	1	
9.0	91202-HMA-000	OIL SEAL	1	
10.0	93500-05016-0A	PAN SCREW 5X16	2	
11.0	94301-08140	DOWEL PIN 8X14	2	
12.0	96001-06030-00	FLANGE BOLT SH 6X30	3	
13.0	96140-62013-10	RADIAL BALL BRG. 6201LUC3	1	

E16  
OIL PUMP ASSY

LN30W5-EU (GTS 300I ABS)

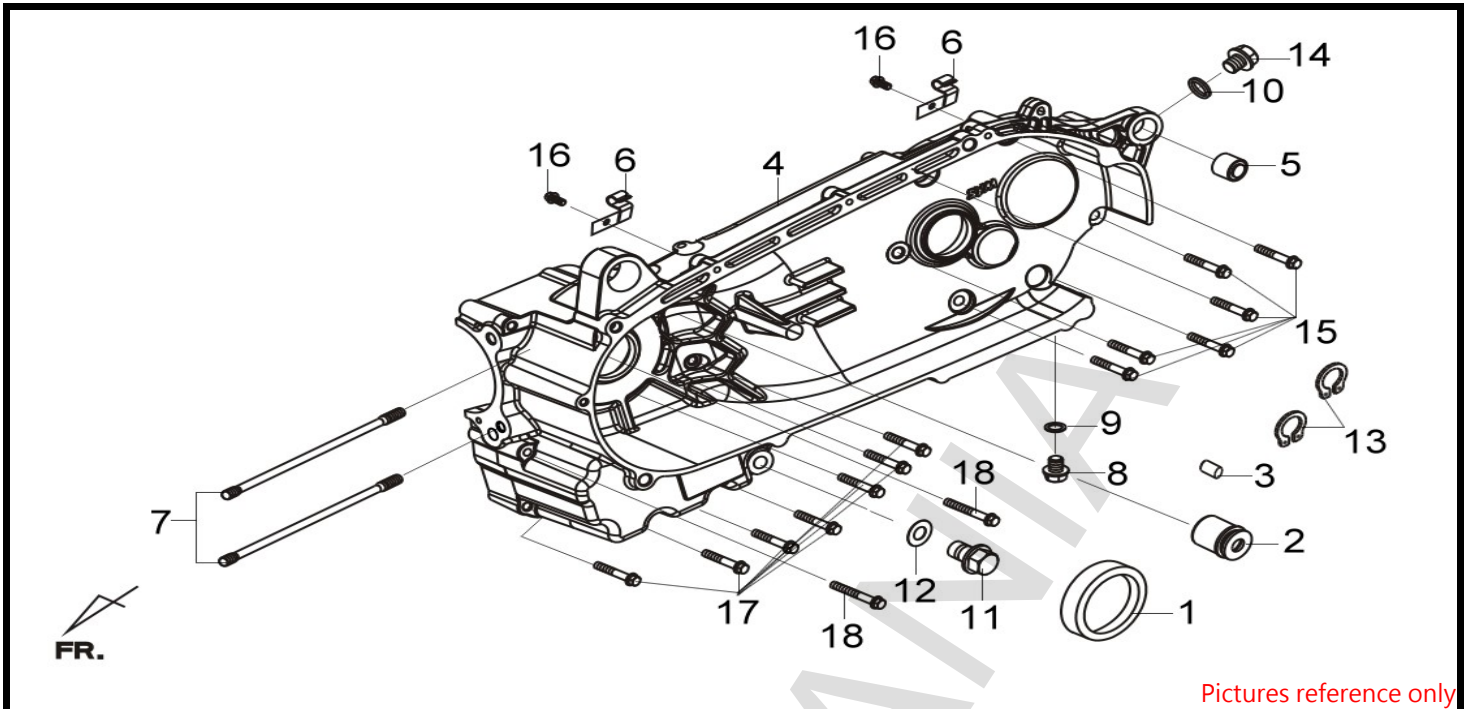


Pictures reference only

NO	PARTS NUMBER	DESCRIPTION	QTY	EFFECTIVE DATE
1.0	15100-HMA-000	OIL PUMP ASSY.	1	
2.0	15126-B8A-000	OIL PUMP GASKET	1	
3.0	15132-HMA-000	OIL PUMP SHAFT	1	
4.0	15133-HMA-000	OIL PUMP DRIVEN SPROCKET	1	
5.0	15711-HML-000	OIL SEPARATER	1	
6.0	1C15141-HMA-000	OIL PUMP CHAIN 92RH2005-48	1	
7.0	91101-HMA-000	PIN 2.5*11.8	1	
8.0	91103-A3F-000	ROLLER 3*9.8	2	
9.0	93500-03008-1A	PAN SCREW 3X8	1	
10.0	93500-06025-0H	PAN SCREW	2	
11.0	94510-10000	CIR CLIP 10MM	1	
12.0	96001-06012-08	FLANGE BOLT SH 6X12	2	



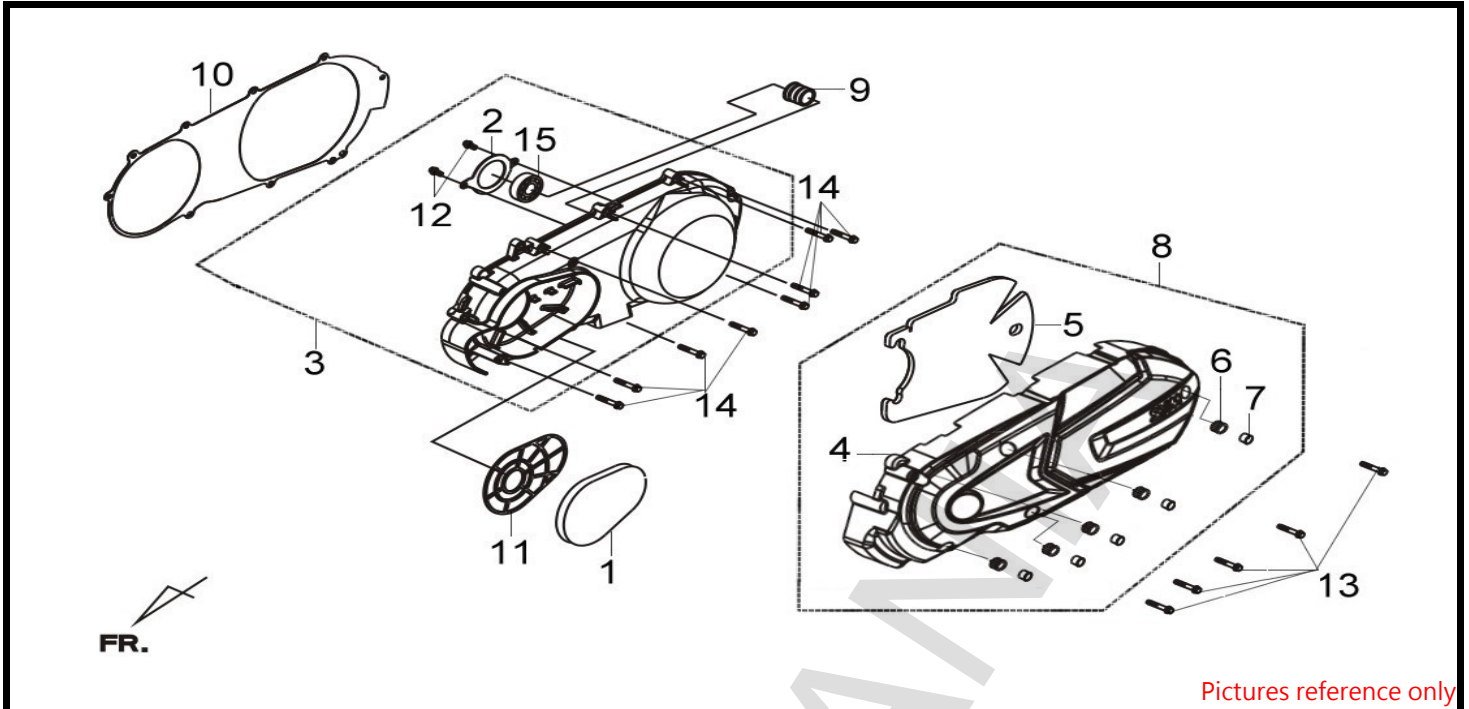
## L. CRANK CASE COMP



Pictures reference only

NO	PARTS NUMBER	DESCRIPTION	QTY	EFFECTIVE DATE
1.0	11102-HMA-300	CRANK CASE BUSH 72MM	1	
2.0	11120-LEA-000	ENGINE HANGER BUSH ASSY	1	
3.0	11133-A1A-300	OIL ORIFICE 6X5	1	
4.0	11200-L3A-000	L. CRANK CASE COMP	1	
5.0	11203-GC7-300	RR. CUSH UND BUSH RUBBER	1	
6.0	11205-L3E-000	TUBE CLAMPER	2	
7.0	90032-HMA-000	CYLINDER STUD BOLT B	2	
8.0	90103-KN8-000	SPECIAL BOLT 8MM	1	
9.0	90474-M9Q-000	WASHER 8X16	1	
10.0	90481-M9Q-100	PLAIN WASHER 10.2MM	1	
11.0	92800-12000	DRAIN PLUG BOLT 12MM	1	
12.0	94109-12000	DRAIN PLUG WASHER 12MM	1	
13.0	94510-20000	EX. CIR CLIP 20MM	2	
14.0	95701-10012-08	FLANGE BOLT 10X12	1	
15.0	95801-08050-08	FLANGE BOLT 8*50	6	
16.0	96001-06016-00	FLANGE BOLT SH 6X16	2	
17.0	96001-06050-00	FLANGE BOLT SH 6X50	7	
18.0	96001-06070-00	FLANGE SH BOLT 6X70	2	

## L. CRANK CASE COVER



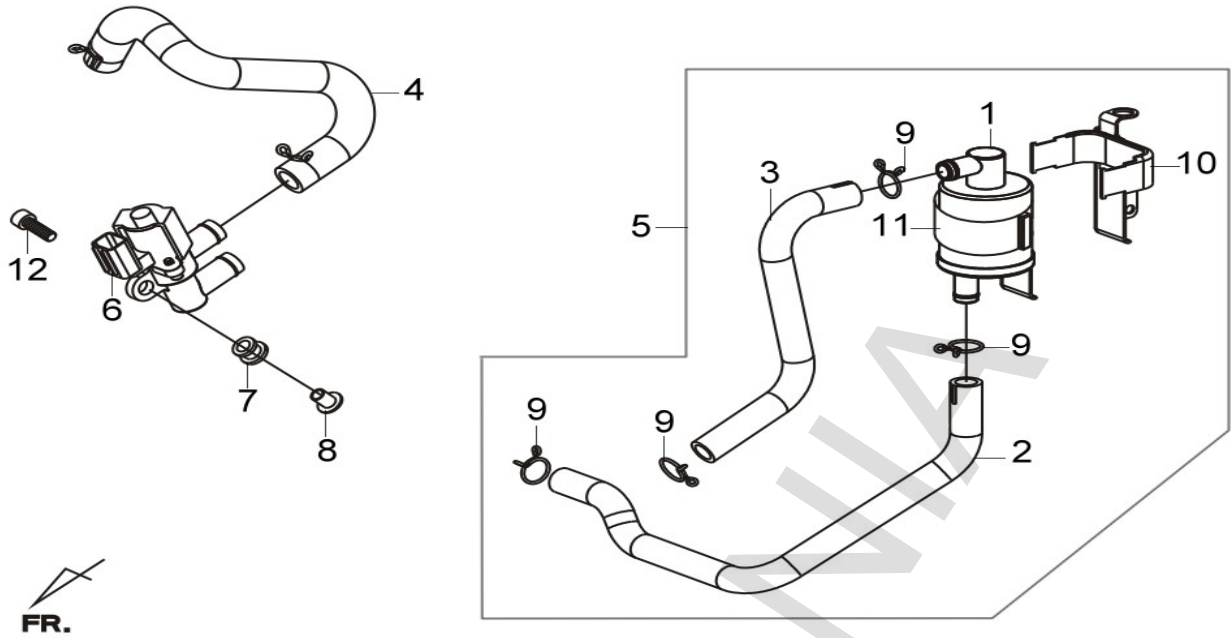
Pictures reference only

NO	PARTS NUMBER	DESCRIPTION	QTY	EFFECTIVE DATE
1.0	11344-HMA-000	L. SIDE CVOER ELEMENT	1	
2.0	11346-HMA-000	L. BEARING SETTING PLATE	1	
3.0	1134A-L3A-000	L. CRANK CASE COVER ASSY	1	
4.0	11351-L3A-000-GYK	L. OUTER COVER(GY-7450U/BK-001U)	1	
5.0	11352-HMA-000	L. OUTER COVER SPONGE	1	
6.0	11354-H3A-000	MOUNT RUBBER	5	
7.0	11356-H3A-000	COLLAR	5	
8.0	1135A-L3A-000-GYK	L. OUTER COVER ASSY(GY-7450U/BK-001U)	1	
9.0	1137A-HMA-000	BERING STAY COLLAR ASSY	1	
10.0	11395-L3A-000	L. COVER GASKET	1	
11.0	17221-LEA-000	TRAP COMP.	1	
12.0	96001-06012-00	FLANGE BOLT SH 6X12	2	
13.0	96001-06018-07	SH. FLANGE BOLT	5	
14.0	96001-06025-00	FLANGE BOLT SH 6X25	8	
15.0	96150-60060-10	RADIAL BALL BEARING 6006LLU	1	



E19  
A.I.S.V.ASSY

LN30W5-EU (GTS 300I ABS)

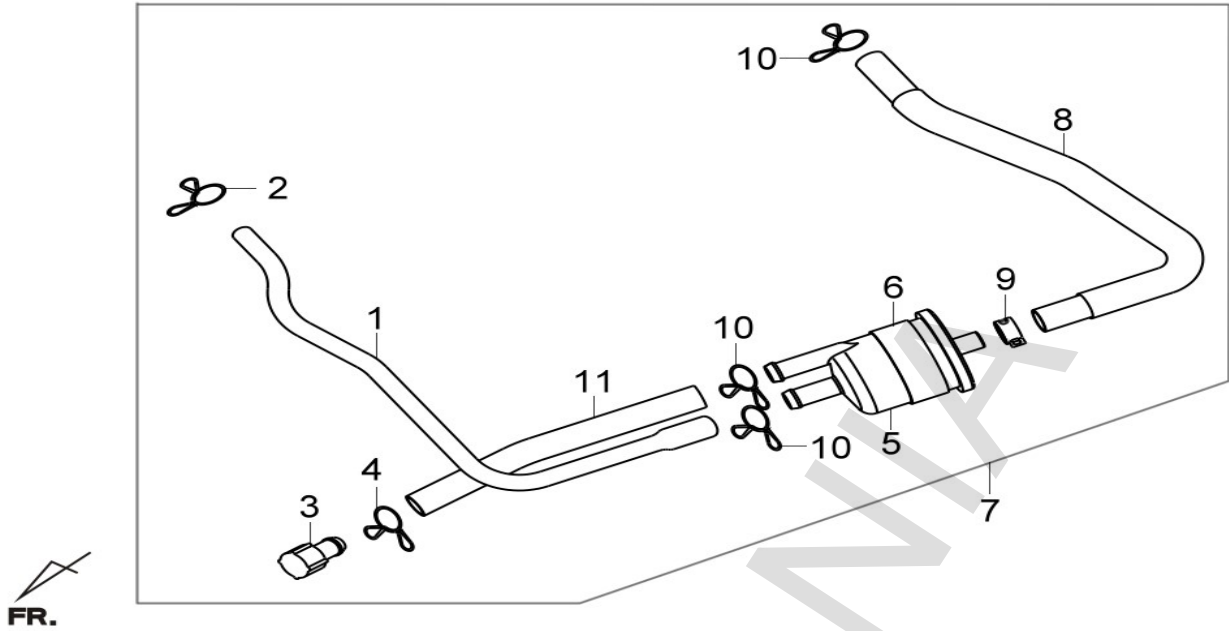


Pictures reference only

NO	PARTS NUMBER	DESCRIPTION	QTY	EFFECTIVE DATE
1.0	17570-HMC-000	A.I.A.C. COMP	1	
2.0	17571-L3A-000	A.I.C.V. TUBE A	1	
3.0	17574-L2A-000	A.I.C.V. TUBE B	1	
4.0	17576-L2A-010	A.I.S.V. REED VALVE JOINT	1	
5.0	1757A-L3A-000	A.I.A.C. ASSY	1	
6.0	17590-HMC-000	A.I.S.V. ASSY	1	
7.0	17591-HMC-000	A.I.S.V.RUBBER	1	
8.0	17592-HMC-000	A.I.S.V.COLLAR	1	
9.0	18533-M7Q-000	AIR HOSE CLIP 19	4	
10.0	18659-L2A-000	A.I.S.V STAY	1	
11.0	18811-N14-000	A.I.C.V. SETTING BAND	1	
12.0	93891-05016-07	WASHER SCREW 5X16	1	

E20  
BREATHER CHAMBER

LN30W5-EU (GTS 300I ABS)

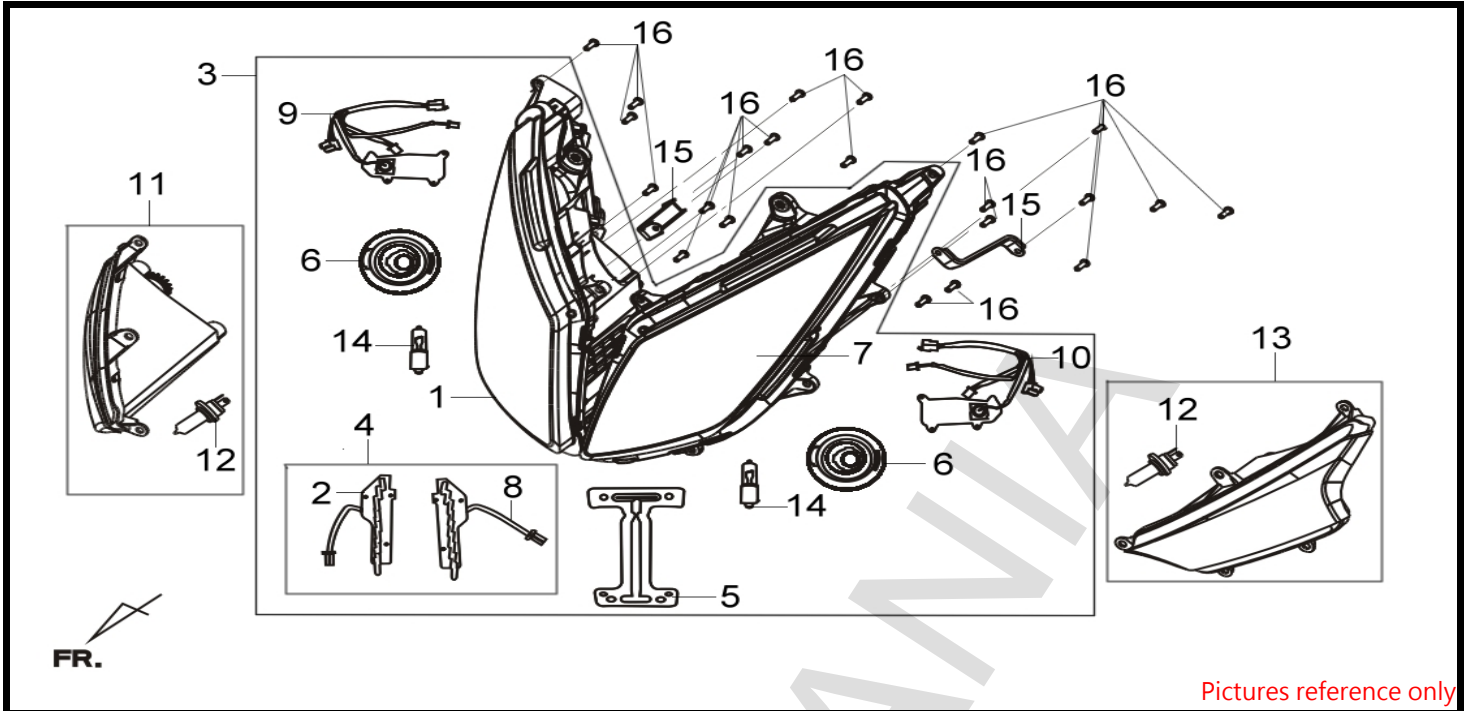


Pictures reference only

NO	PARTS NUMBER	DESCRIPTION	QTY	EFFECTIVE DATE
1.0	11211-L3A-000	BREATHER TUBE	1	
2.0	15772-500-013	BREATHER TUBE CLIP	1	
3.0	17370-M9Q-000	PLUG,BREATHER TUBE.	1	
4.0	17371-M9Q-000	BREATHER TUBE CLIP	1	
5.0	17380-H6A-000	BREATHER CHAMPER COMP	1	
6.0	17385-H6A-000	CHAMBER SETTING BAND	1	
7.0	1738A-L3A-000	BREATHER CHAMBER ASSY	1	
8.0	17562-L2A-000	P.C.V./A.C. TUBE	1	
9.0	90682-V02-900	TUBE CLAMPER D11.5	1	
10.0	95002-80000	TUBE CLIP C12	3	
11.0	95003-23022-60	V TUBE(8X12X220)	1	

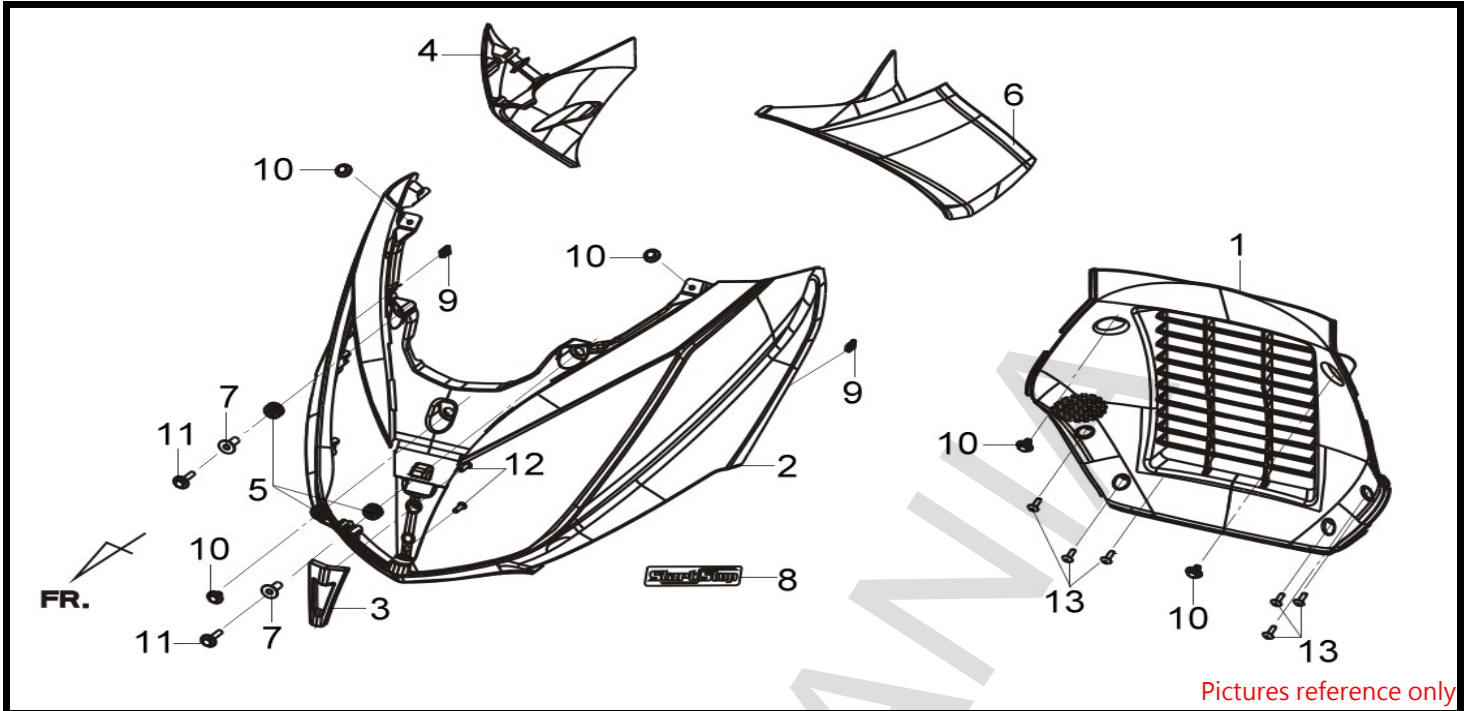
F01  
HEAD LIGHT

LN30W5-EU (GTS 300I ABS)



Pictures reference only

NO	PARTS NUMBER	DESCRIPTION	QTY	EFFECTIVE DATE
1.0	33102-L3A-004	R. HEAD LIGHT UNIT	1	
2.0	33106-L3A-000	R HEAD LIGHT BASEPLATE ASSY	1	
3.0	3310A-L3A-004	HEAD LIGHT SET	1	
4.0	3311A-L3A-000	LED	1	
5.0	33124-FFA-000	HEAD LIGHT BRKT	1	
6.0	33139-L3A-000	DUST COVER	2	
7.0	33152-L3A-004	L. HEAD LIGHT UNIT	1	
8.0	33156-L3A-000	L HEAD LIGHT BASEPLATE ASSY	1	
9.0	33180-L3A-000	R. HEAD LIGHT SOCKET COMP	1	
10.0	33181-L3A-000	L. HEAD LIGHT SOCKET COMP	1	
11.0	33310-L3A-000	R. FR. FOGGY LAMP ASSY	1	
12.0	33315-L3A-000	FOGGY LAMP BULB(12V 21W)	2	
13.0	33320-L3A-000	L. FR. FOGGY LAMP ASSY	1	
14.0	34901-HE1-000	HEAD LIGHT BULB	2	
15.0	64308-L3A-000	FR. COVER BRKT	2	
16.0	93903-35320	TAPPING SCREW 5X16	22	

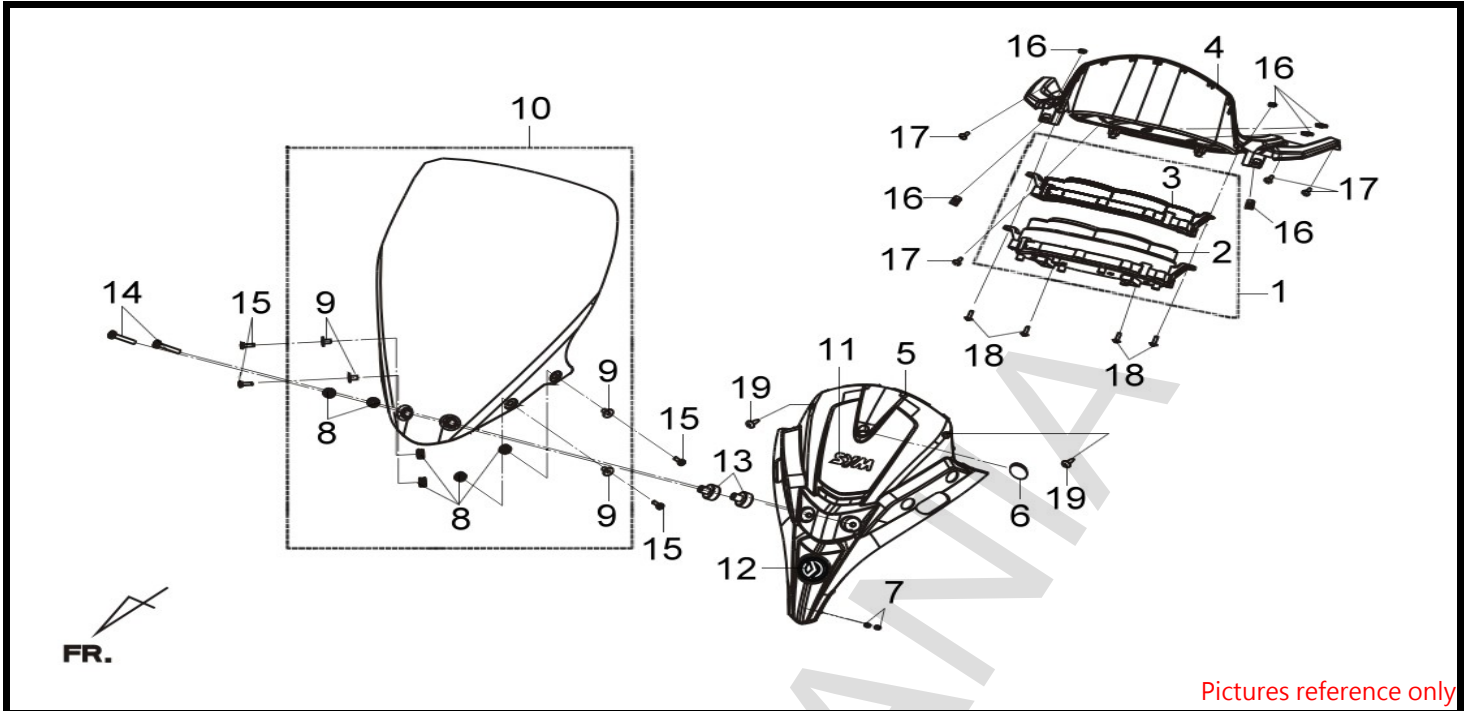


Pictures reference only

NO	PARTS NUMBER	DESCRIPTION	QTY	EFFECTIVE DATE
1.0	64300-L3A-001-IL	FR. UNDER SPOILER(GY-7450U)	1	2013/12/09
2.0	64301-L3A-000-IL	FR COVER(GY-7450U)	1	
2.0	64301-L3A-000-KX	FR. COVER(BK-231S)	1	
2.0	64301-L3A-000-QU	FR COVER(WH-300P)	1	
2.0	64301-L3A-000-OQ	FR COVER(S-7S)	1	2013/12/09
3.0	64303-L3A-000	FR. COVER EMBLEM (MRCR2)	1	
4.0	64304-L3A-000-IL	R. SIDE SPOILER(GY-7450U)	1	
4.0	64304-L3A-000-KX	R. SIDE SPOILER(BK-231S)	1	
4.0	64304-L3A-000-QU	R. SIDE SPOILER(WH-300P)	1	
4.0	64304-L3A-000-OQ	R. SIDE SPOILER(S-7S)	1	2013/12/09
5.0	64304-X01-000	FR. COVER RUBBER	3	
6.0	64305-L3A-000-IL	L. SIDE SPOILER(GY-7450U)	1	
6.0	64305-L3A-000-KX	L. SIDE SPOILER(BK-231S)	1	
6.0	64305-L3A-000-QU	L. SIDE SPOILER(WH-300P)	1	
6.0	64305-L3A-000-OQ	L. SIDE SPOILER(S-7S)	1	2013/12/09
7.0	64306-L3A-000	FR. COVER COLLAR	2	
8.0	87125-L3N-010	IDLING STOP LABEL	1	
9.0	90302-M92-000	SPRING NUT 4MM	2	
10.0	93404-06012-07	WASHER BOLT 6X12	5	
11.0	93404-06035-07	WASHER BOLT 6X35	2	
12.0	93903-34320	TAPPING SCREW 4X12	2	
13.0	93903-35380	TAPPING SCREW 5X16	6	

F03  
METER & WIND SCREEN

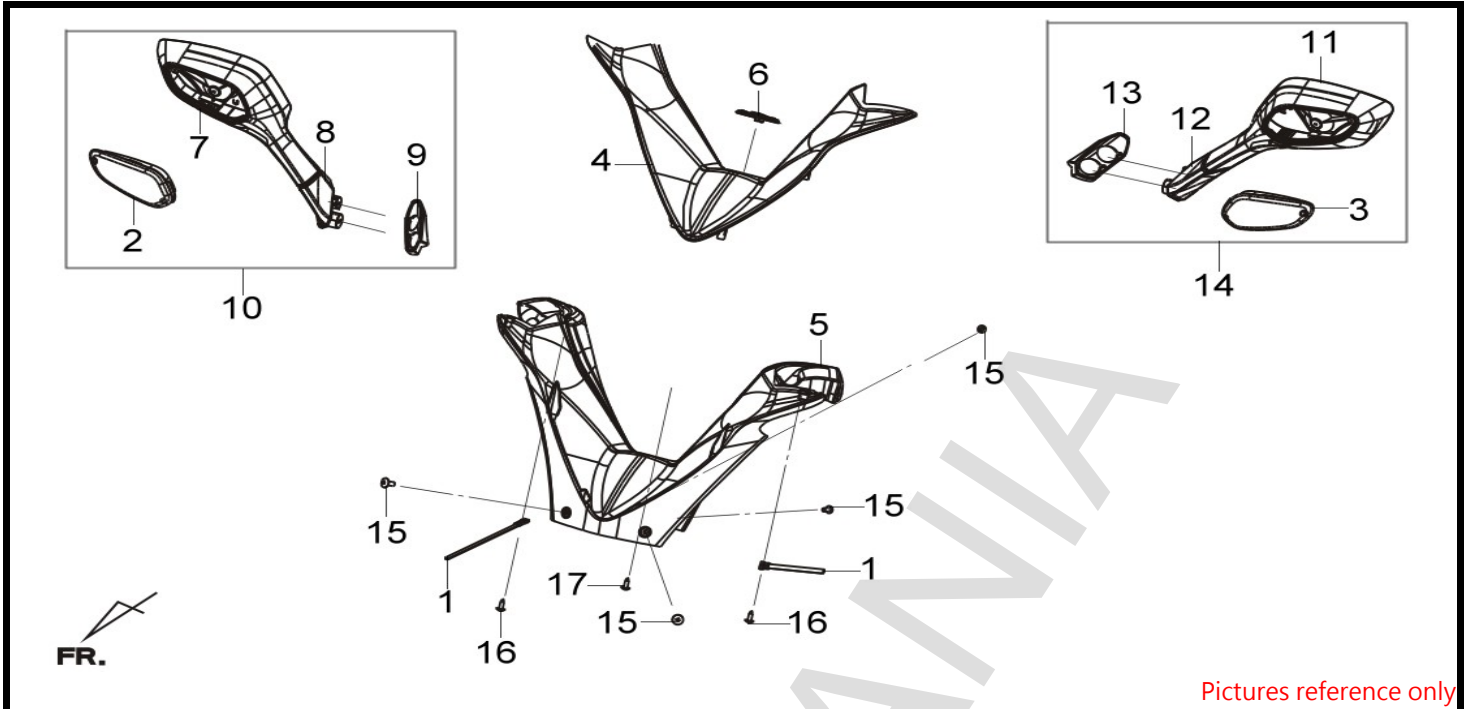
LN30W5-EU (GTS 300I ABS)



Pictures reference only

NO	PARTS NUMBER	DESCRIPTION	QTY	EFFECTIVE DATE
1.0	37200-L3E-000	METER ASSY	1	
2.0	37211-L3A-000	METER LENS	1	
3.0	37215-L3A-000	METER INNER CASE LENS	1	
4.0	53208-L3A-000-KA	METER PANEL(BK-001U)	1	2013/12/09
5.0	5320G-L3A-000-IL	METER VISOR SUB ASSY(GY-7450U)	1	2013/12/09
6.0	53216-L1A-000	AUTO LIGHT SENSOR CAP	1	
7.0	61312-149-300	HEAD LIGHT BRKT.BOOT	2	
8.0	64304-X01-000	FR. COVER RUBBER	6	
9.0	67101-L3A-000	WIND SCREEN COLLAR	4	
10.0	6710A-L3A-000-IL	WIND SCREEN SET(GY-7450U)	1	2013/12/09
11.0	83521-L4C-000	SYM MARK	1	2013/12/09
12.0	87553-L4A-000	S LOGO EMBLEM	1	2013/12/09
13.0	90112-L3A-000	SPECIAL COLLAR	2	
14.0	90116-L2A-000	SPECIAL BOLT 6MM	2	
15.0	90116-L3A-000	SPECIAL BOLT 6MM	4	
16.0	90308-X04-000	SPECIAL NUT 5MM	6	
17.0	93903-35280	TAPPING SCREW 5X12	4	
18.0	93903-35320	TAPPING SCREW 5X16	4	
19.0	93903-45280	TAPPING SCREW 5X12	2	

UP HANDLE COVER & R/L MIRROR SET

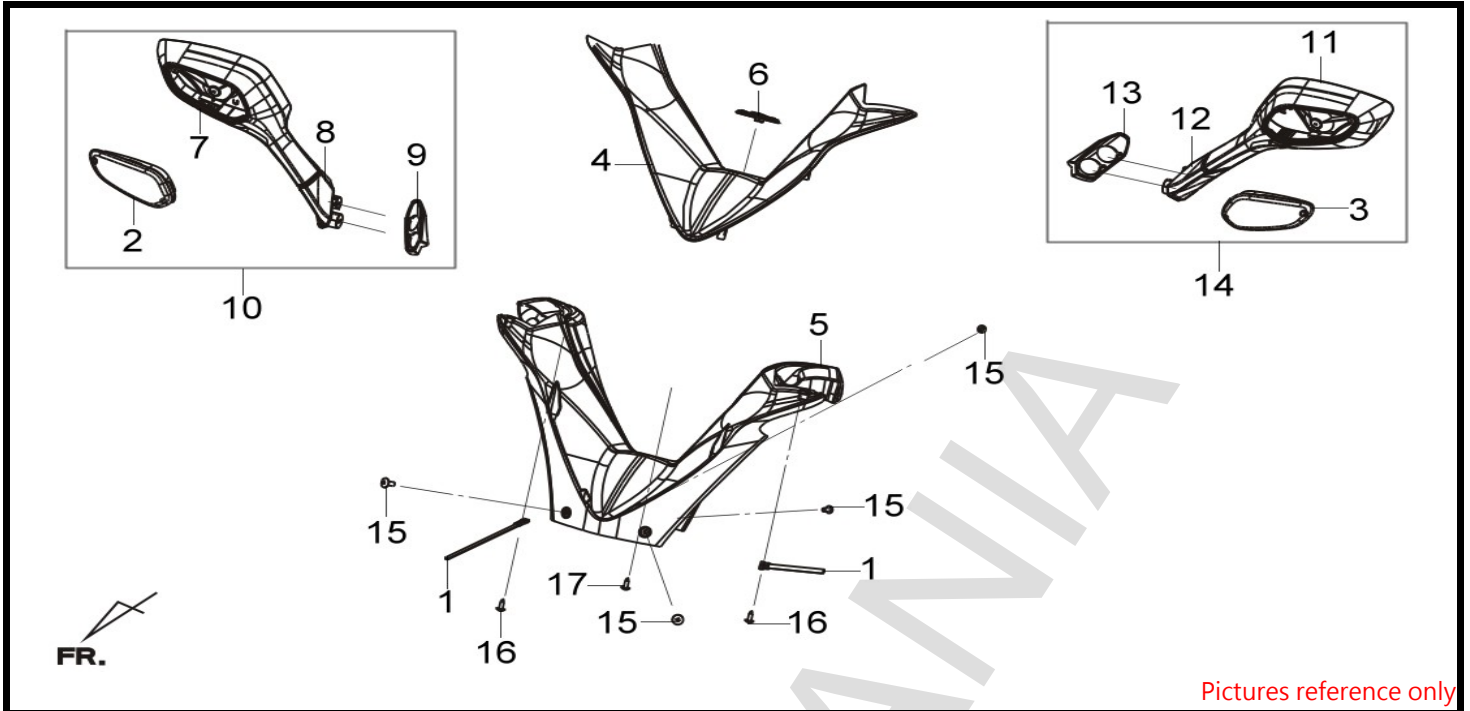


Pictures reference only

NO	PARTS NUMBER	DESCRIPTION	QTY	EFFECTIVE DATE
1.0	32160-A3A-900	WIRE BAND 200X8	2	
2.0	33400-L3A-000	R. FR. WINKER LAMP ASSY	1	
3.0	33450-L3A-000	L. FR. WINKER LAMP ASSY	1	
4.0	53204-L3A-000-IL	UP HANDLE COVER A(GY-7450U)	1	
4.0	53204-L3A-000-KX	UP HANDLE COVER A(BK-231S)	1	
4.0	53204-L3A-000-QU	UP HANDLE COVER A(WH-300P)	1	
4.0	53204-L3A-000-OQ	UP HANDLE COVER A(S-7S)	1	2013/12/09
5.0	53205-L3A-000-KA	UP HANDLE COVER B(BK-001U)	1	2013/12/09
6.0	87553-VS1-100	FR.COVER LID EMBLEM	1	
7.0	88110-L3A-008-IL	R. BACK MIRROR COMP-WITHOUT WINKER(GY-74	1	
7.0	88110-L3A-008-KX	R. BACK MIRROR COMP-WITHOUT WINKER(BK-23	1	
7.0	88110-L3A-008-QU	R. BACK MIRROR COMP-WITHOUT WINKER(WH-30	1	
7.0	88110-L3A-008-OQ	R. BACK MIRROR COMP-WITHOUT WINKER(S-7S)	1	2013/12/09
8.0	88111-L3A-000	R. BASE COVER	1	
9.0	88112-L3A-000	R. PAD	1	
10.0	8811A-L3A-007-IL	R. BACK MIRROR SET(GY-7450U)	1	
10.0	8811A-L3A-007-KX	R. BACK MIRROR SET(BK-231S)	1	
10.0	8811A-L3A-007-QU	R. BACK MIRROR SET(WH-300P)	1	
10.0	8811A-L3A-007-OQ	R. BACK MIRROR SET(S-7S)	1	2013/12/09
11.0	88120-L3A-008-IL	L. BACK MIRROR COMP-WITHOUT WINKER(GY-74	1	
11.0	88120-L3A-008-KX	L. BACK MIRROR COMP-WITHOUT WINKER(BK-23	1	
11.0	88120-L3A-008-QU	L. BACK MIRROR COMP-WITHOUT WINKER(WH-30	1	
11.0	88120-L3A-008-OQ	L. BACK MIRROR COMP-WITHOUT WINKER(S-7S)	1	2013/12/09
12.0	88121-L3A-000	L. BASE COVER	1	
13.0	88122-L3A-000	L. PAD	1	



UP HANDLE COVER & R/L MIRROR SET

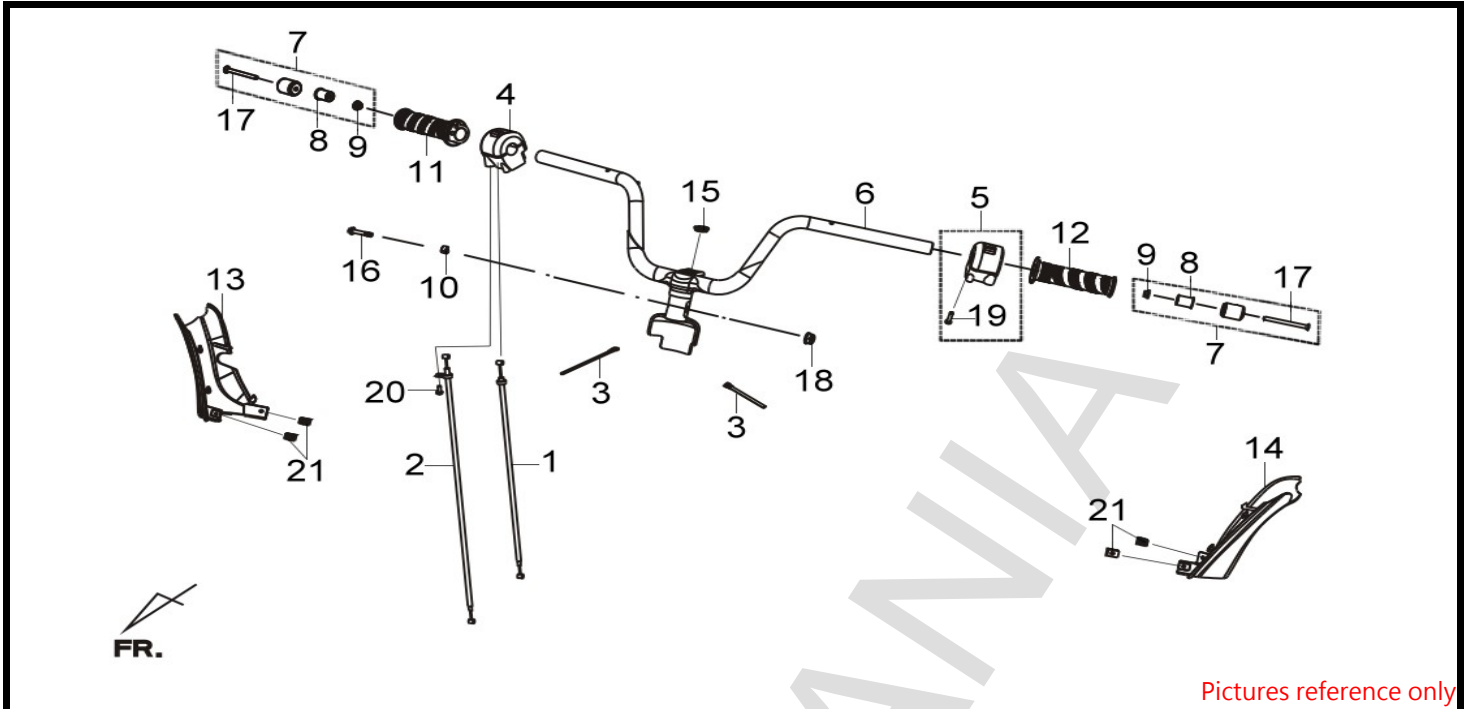


Pictures reference only

NO	PARTS NUMBER	DESCRIPTION	QTY	EFFECTIVE DATE
14.0	8812A-L3A-007-IL	L. BACK MIRROR SET(GY-7450U)	1	2013/12/09
14.0	8812A-L3A-007-KX	L. BACK MIRROR SET(BK-231S)	1	
14.0	8812A-L3A-007-QU	L. BACK MIRROR SET(WH-300P)	1	
14.0	8812A-L3A-007-OQ	L. BACK MIRROR SET(S-7S)	1	
15.0	90302-M92-000	SPRING NUT 4MM	4	
16.0	93903-34320	TAPPING SCREW 4X12	2	
17.0	93903-35120	TAPPING SCREW 5*10	1	

F05  
STRG. HANDLE COMP

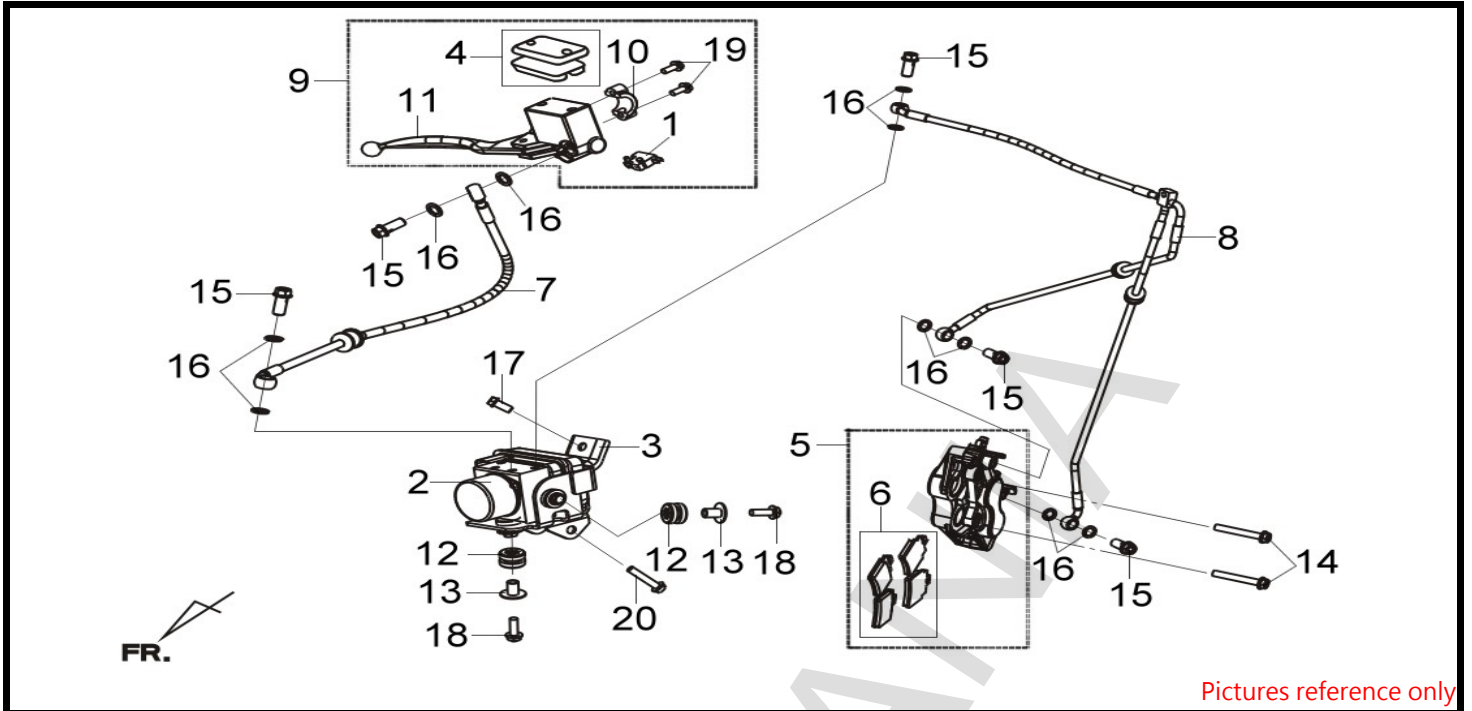
LN30W5-EU (GTS 300I ABS)



Pictures reference only

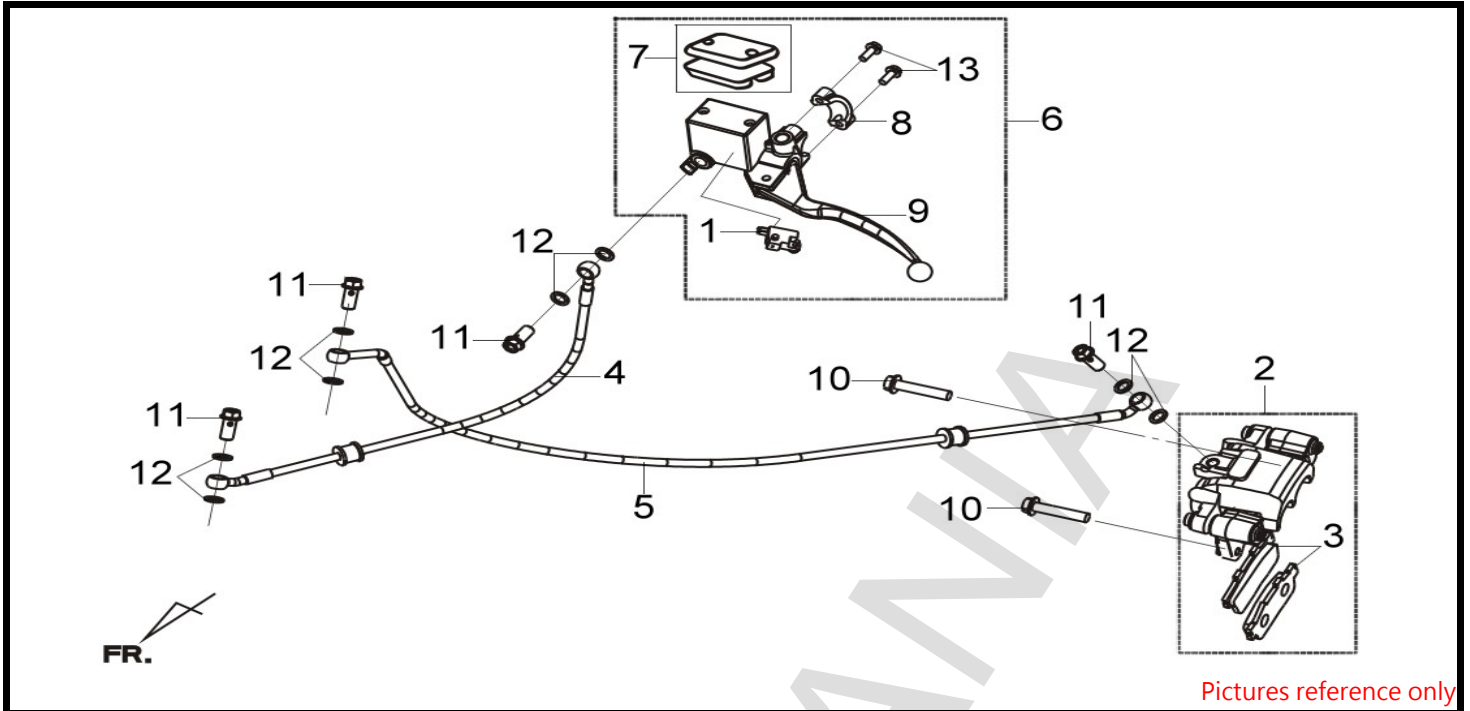
NO	PARTS NUMBER	DESCRIPTION	QTY	EFFECTIVE DATE
1.0	17910-L3A-000	THROT. CABLE COMP A	1	
2.0	17920-L3A-000	THROT. CABLE COMP B	1	
3.0	32160-A3A-900	WIRE BAND 200X8	2	
4.0	35150-HM1-000	R HANDLE SW ASSY	1	
5.0	35200-L3D-000	L. HANDLE SW. ASSY	1	
6.0	53100-L3A-000	STRG. HANDLE COMP	1	
7.0	53104-N02-000	HANDLE PIPE WT. ASSY.	2	
8.0	53106-N02-000	HANDLE WEIGHT RUBBER	2	
9.0	53108-N02-000	SPECIAL NUT 6MM	2	
10.0	53125-M9Q-000	HANDLE SET COLLAR	1	
11.0	53140-L4A-000	THROT GRIP COMP BK-001U	1	2013/12/09
12.0	53166-L4A-000	L HANDLE GRIP BK-001U	1	2013/12/09
13.0	53206-HMA-900	R HANDLE COVER	1	
14.0	53207-HMA-900	L. HANDLE COVER	1	
15.0	61105-RCA-000	FR.FENDER GROMMET	1	
16.0	90106-M9Q-000	FLANGE BOLT 10X50	1	
17.0	90118-N02-000	HNDL. WT. BOLT	2	
18.0	90304-M9Q-800	FLANGE U NUT 10MM	1	
19.0	93500-05025-0G	PAN SCREW 5*25	1	
20.0	93891-05012-07	WASHER SCREW 5X12	1	
21.0	93903-24380	TAPPING SCREW 4X12	4	





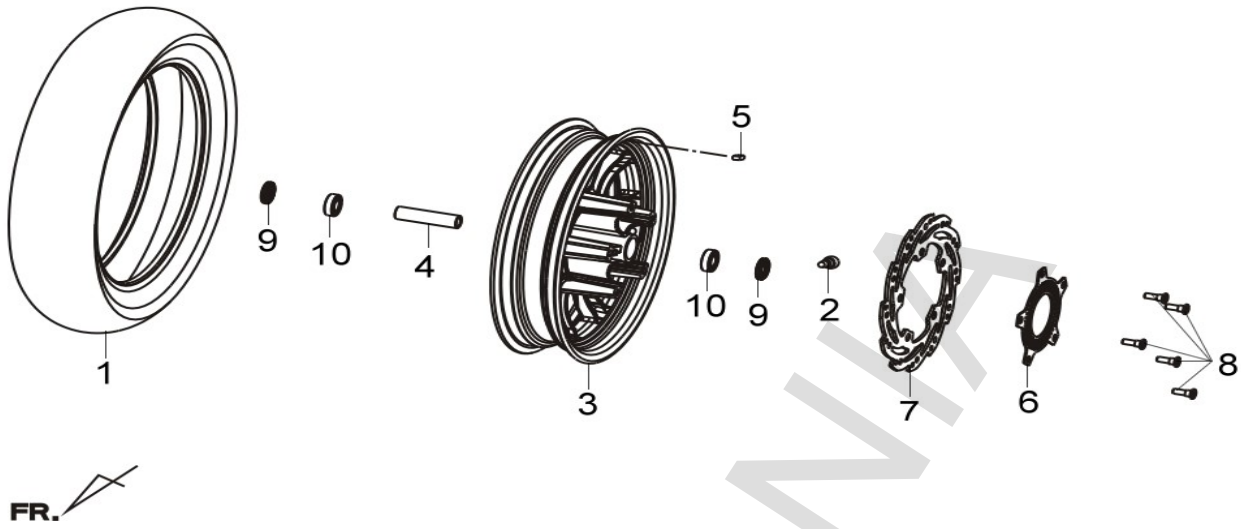
Pictures reference only

NO	PARTS NUMBER	DESCRIPTION	QTY	EFFECTIVE DATE
1.0	35340-KBN-900	FR. STOP SW. ASSY(R)	1	
2.0	38730-L3E-000	ABS. HYDRAULIC CIRCUIT UNIT	1	
3.0	38731-L3E-000	ABS. HYDRAULIC UNIT STAY	1	
4.0	43502-HMA-000	FF./FR. BRAKE M/C LID	1	
5.0	45100-HMA-000	FR.CALIPER ASSY S-877C	1	2013/12/09
6.0	45105-HMA-000-A	FR. BRAKE PAD SET(4PCS/1SET)(NON-ASBESTO)	1	
7.0	45126-L3E-000-A1	FR. BRAKE HOSE A	1	
8.0	45127-L3E-000-A1	FR. BRAKE HOSE B	1	
9.0	45500-L3E-000	FR. M/C ASSY	1	
10.0	45517-TFA-000	M/C HOLDER	1	
11.0	53175-HMA-000	R.HANDLE LEVER	1	
12.0	80103-X01-000	RR. FENDER RUBBER	2	
13.0	80104-X01-000	RR. FENDER COLLAR	2	
14.0	90104-H5K-000	FLANGE BOLT 8X40	2	
15.0	90145-M9Q-000	OIL BOLT 10X22	5	
16.0	90545-M9Q-000	OIL BOLT WASHER	10	
17.0	93404-08014-07	FLANGE BOLT 8*14	1	
18.0	95801-06020-07	FLANGE BOLT 6*20	2	
19.0	95801-06022-07	FLANGE BOLT 6X22	2	
20.0	95801-08060-07	FLANGE BOLT 8X60	1	



Pictures reference only

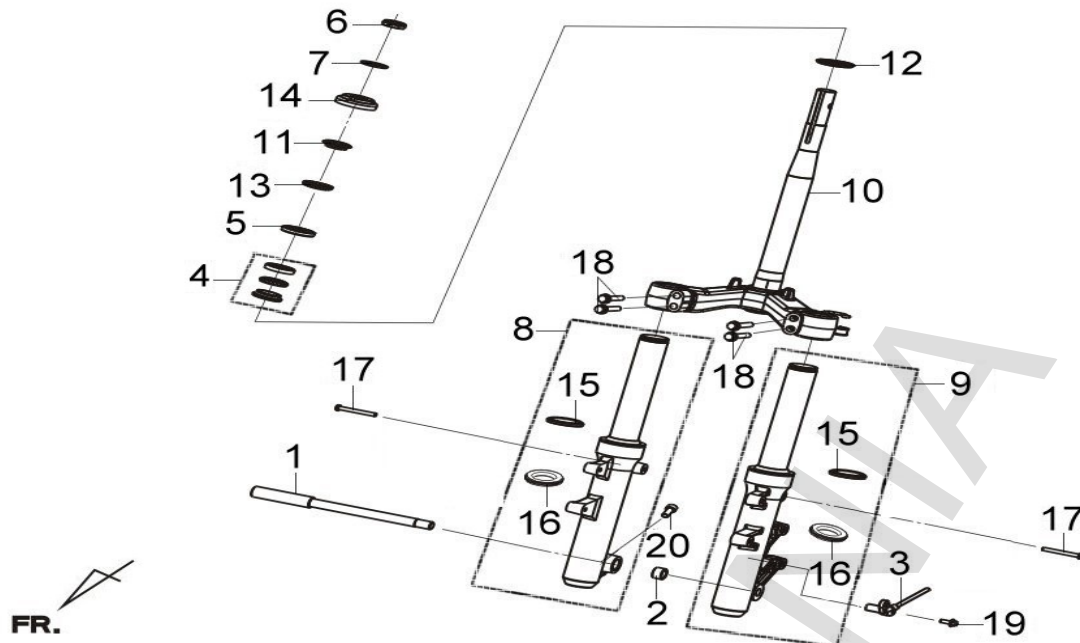
NO	PARTS NUMBER	DESCRIPTION	QTY	EFFECTIVE DATE
1.0	35350-KBN-900	RR. STOP SWITCH ASSY(L)	1	
2.0	43100-L3A-000-SH	RR.CALIPER ASSY.(S-877C)	1	2013/12/09
3.0	43108-L3A-000-A	RR. BRAKE PAD SET(2PCS/1SET)	1	
4.0	43311-L3E-000-A1	RR BRAKE HOSE A	1	
5.0	43312-L3E-000-A1	RR. BRAKE HOSE B	1	
6.0	43500-L3E-000	RR. M/C ASSY	1	
7.0	43502-HMA-000	FF./FR. BRAKE M/C LID	1	
8.0	45517-TFA-000	M/C HOLDER	1	
9.0	53178-HMA-000	L.HANDLE LEVER	1	
10.0	90104-L2A-000	FLANGE BOLT 8*57	2	
11.0	90145-M9Q-000	OIL BOLT 10X22	4	
12.0	90545-M9Q-000	OIL BOLT WASHER	8	
13.0	95801-06022-07	FLANGE BOLT 6X22	2	



Pictures reference only

NO	PARTS NUMBER	DESCRIPTION	QTY	EFFECTIVE DATE
1.0	1T011207014-MAPRO	FR. TIRE 120/70-14 55P	1	2013/12/09
2.0	42753-KJ9-000	VALVE RIM (PVR-70B)	1	
3.0	44601-L3A-000	FR. CAST WHEEL COMP(BK-001C)	1	
4.0	44620-L3A-000	FR. AXLE DIST COLLAR	1	
5.0	44720-H9A-000	BALANCE WEIGHT	1	
6.0	45120-L3A-000	ABS DETECTIVE DISK	1	
7.0	45121-L3A-900	FR. BRAKE DISK(S-421S)	1	
8.0	90105-L3A-000	FR. DISK BOLT 8*24	5	
9.0	90754-LEA-000	DUST SEAL 20X35X5.0	2	
10.0	90912-LEA-000	BEARING 6202(LLU)	2	

## STRG. STEM &amp; R/L CUSHION

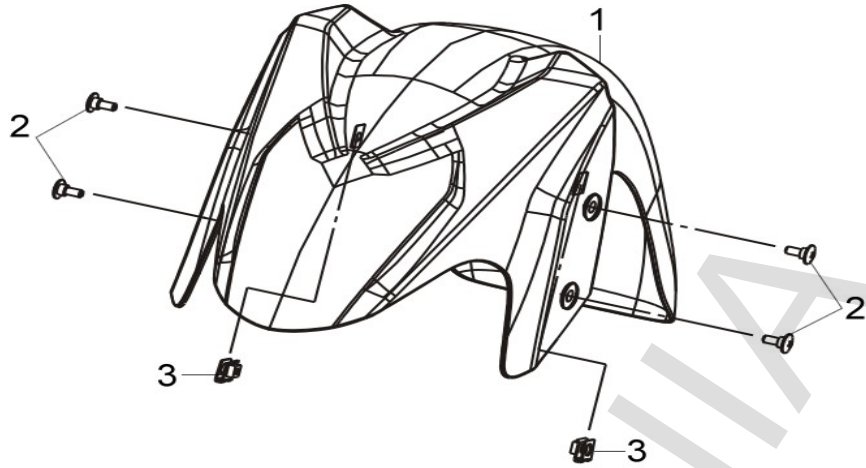


Pictures reference only

NO	PARTS NUMBER	DESCRIPTION	QTY	EFFECTIVE DATE
1.0	44301-L3A-000	FR. WHEEL AXLE	1	
2.0	44311-L3A-000	FR. WHEEL SIDE COLLAR	1	
3.0	44870-L4C-000	ABS. SPEED SENSOR	1	
4.0	50300-L4A-000	BALL RACE SET	1	
5.0	50301-HMA-000	RACE UP STRG BALL	1	
6.0	50306-M9Q-000	STRG. STEM LOCK NUT(MZ→SY)	1	
7.0	50308-HMA-000	STRG STEM WASHER	1	
8.0	51400-L3A-000	R. CUSHION ASSY	1	2013/12/09
9.0	51500-L3A-000	L. CUSHION ASSY	1	2013/12/09
10.0	53200-L3E-000	STRG. STEM COMP	1	
11.0	53211-HMA-000	STRG. UP CONE RACE	1	
12.0	53214-L4A-000	STRG.DUST SEAL	1	
13.0	53215-HMA-000	STEEL BALL UP ASSY.	1	
14.0	53220-HMA-000	STEERING HEAD TOP THREAD COMP	1	
15.0	91255-L3A-000	FR. CUSHION OIL SEAL	2	
16.0	91256-L3A-000	DUST SEAL	2	
17.0	93891-06050-07	WASHER SCREW 6X45	2	
18.0	95801-10040-08	FLANGE BOLT 10X40	4	
19.0	96001-06012-00	FLANGE BOLT SH 6X12	1	
20.0	96700-08020-00	SOCKET BOLT 8X20	1	

F10  
FR. FENDER

LN30W5-EU (GTS 300I ABS)

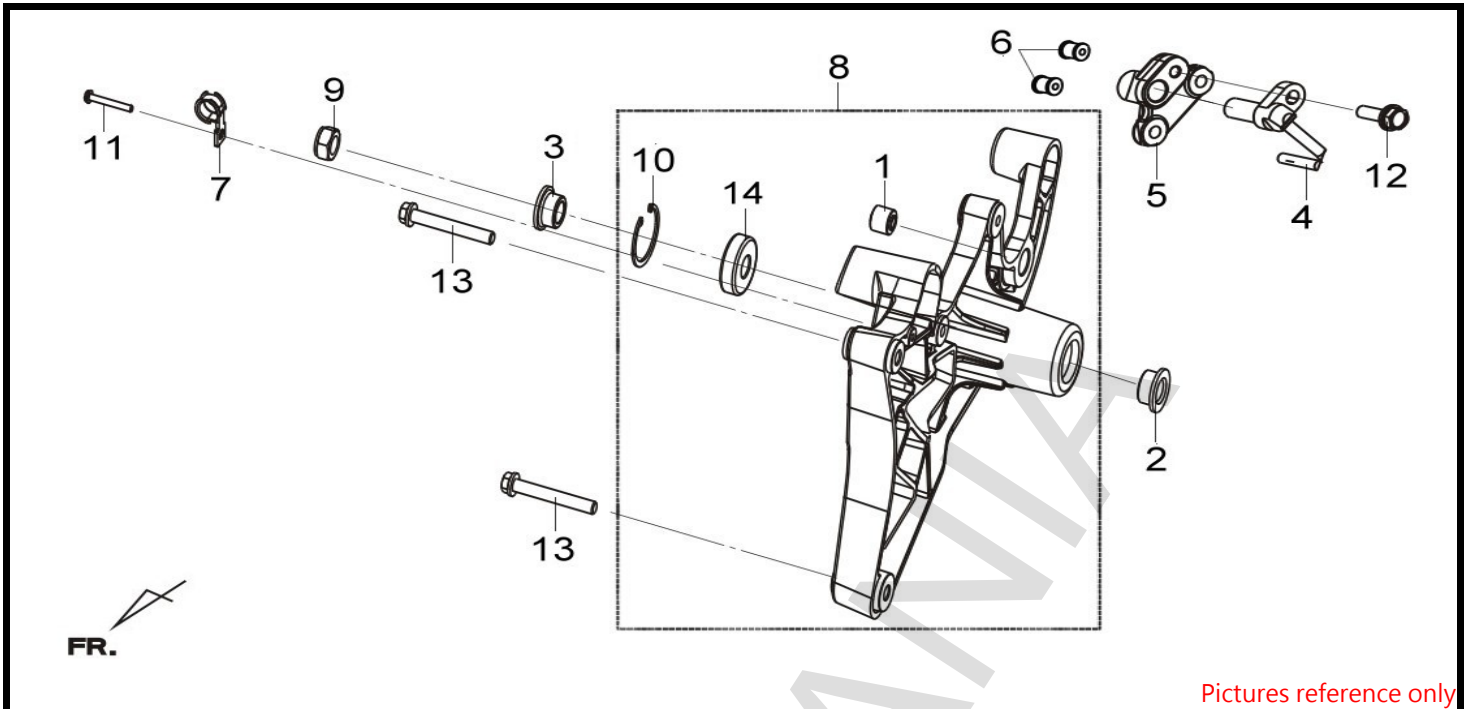


Pictures reference only

NO	PARTS NUMBER	DESCRIPTION	QTY	EFFECTIVE DATE
1.0	61100-L3A-000-IL5	FR. FENDER(GY-7450U)	1	2013/12/09
1.0	61100-L3A-000-KX2	FR. FENDER(BK-231S/GY-7450U)	1	
1.0	61100-L3A-000-QU1	FR. FENDER(WH-300P/GY-7450U)	1	
1.0	61100-L3A-000-OQ3	FR. FENDER(S-7S/GY-7450U)	1	
2.0	90164-M9Q-000	SCREW SPECIAL 6mm	4	
3.0	90305-M9Q-900	U NUT 16 MM	2	

F11  
RR. FORK ASSY

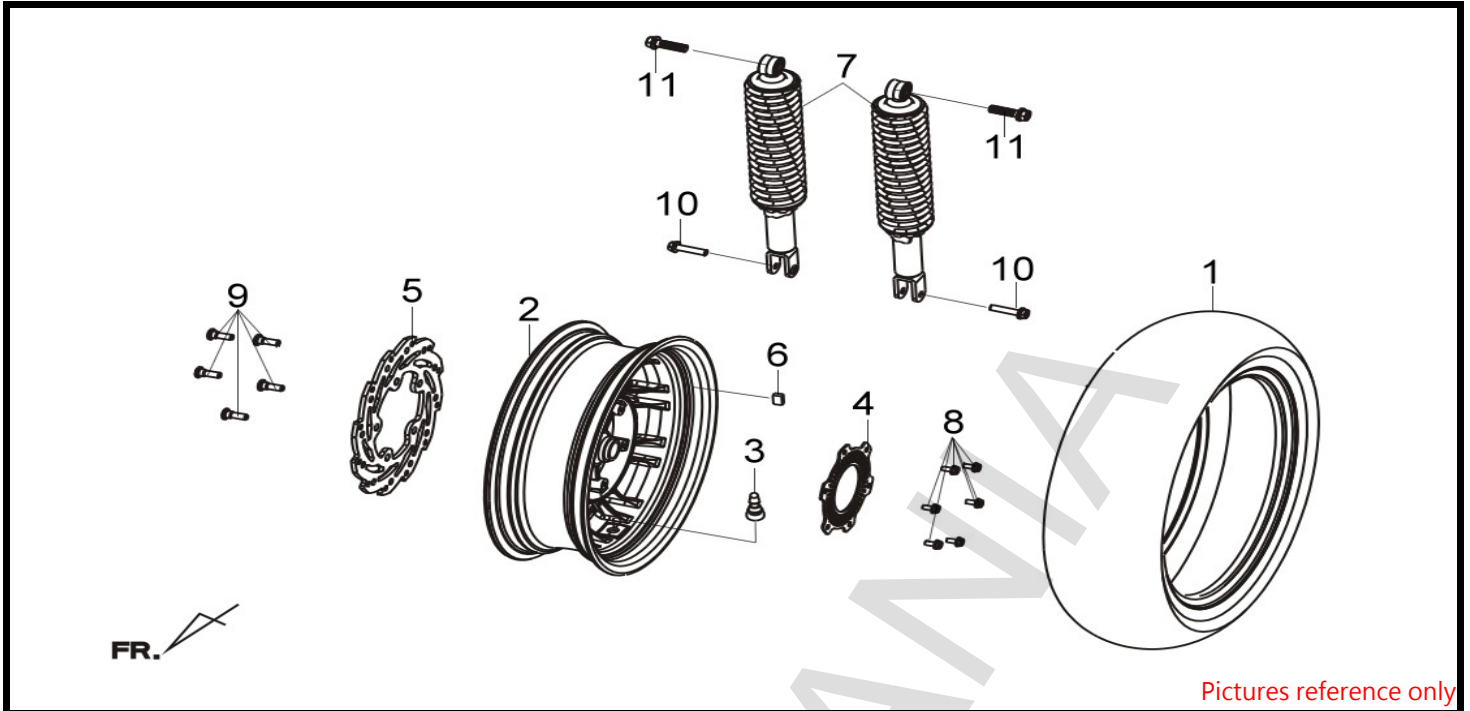
LN30W5-EU (GTS 300I ABS)



Pictures reference only

NO	PARTS NUMBER	DESCRIPTION	QTY	EFFECTIVE DATE
1.0	11203-GC7-300	RR. CUSH UND BUSH RUBBER	1	
2.0	42311-H9A-000	RR. AXLE COLLAR	1	
3.0	42311-H9A-900	RR. AXLE COLLAR	1	
4.0	44870-L4C-000	ABS. SPEED SENSOR	1	
5.0	44871-L4C-000	ABS. SPEED SENSOR BRKT.	1	
6.0	44910-L4C-000	ABS. RUBBER BUSH	2	
7.0	45156-HMA-000	BRAKE HOSE CLAMP	1	
8.0	5210A-L3A-000-IL	RR. FORK ASSY(GY-7450U)	1	2013/12/09
9.0	90305-M9Q-900	U NUT 16 MM	1	
10.0	94524-47000	CIR CLIP IN47	1	
11.0	95801-06012-08	FLANGE BOLT 6X12	1	
12.0	95801-06016-07	FLANGE BOLT 6X16	1	
13.0	95801-10075-07	FLANGE BOLT	2	
14.0	96150-63033-10	RADIAL BALL BEARING 6303U	1	

R. WHEEL & RR. CUSHION



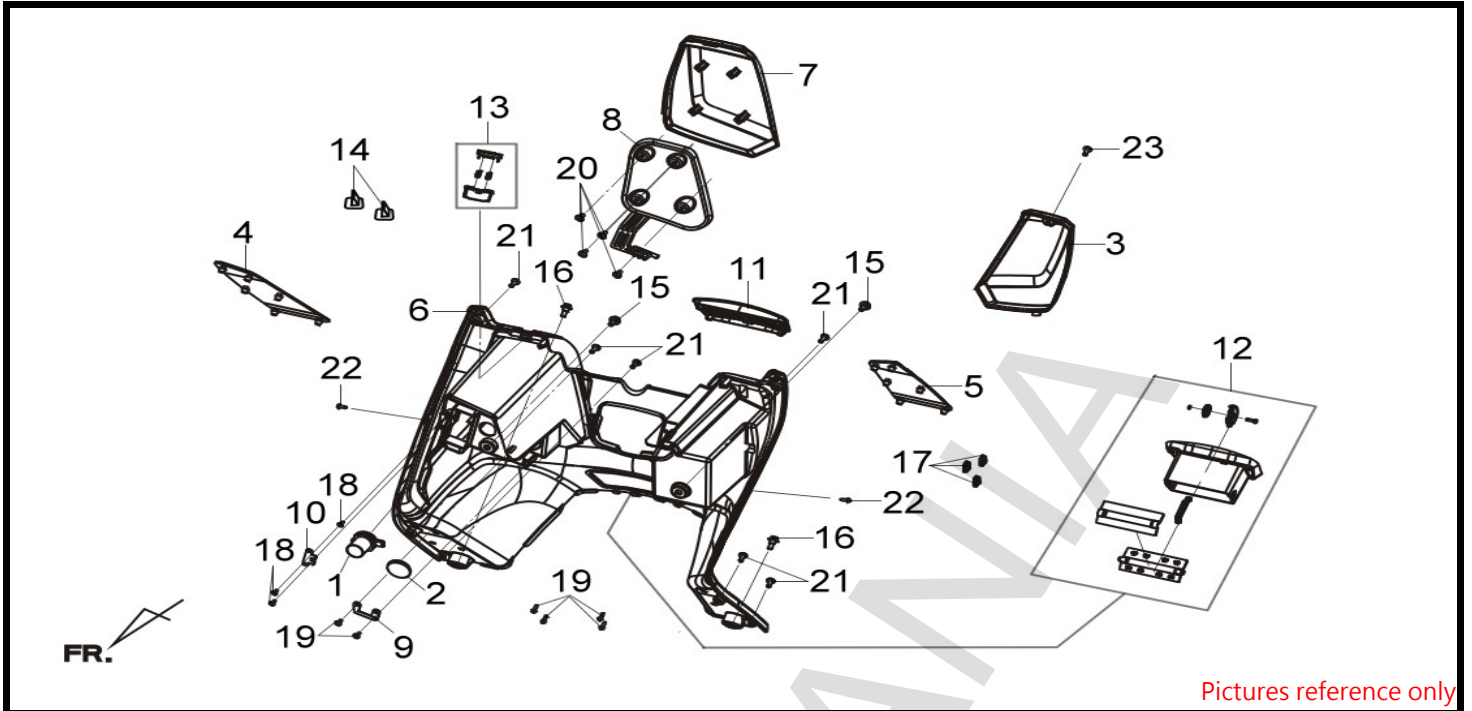
Pictures reference only

NO	PARTS NUMBER	DESCRIPTION	QTY	EFFECTIVE DATE
1.0	1T011406013-MAPRO	RR. TIRE 140/60-13 63P	1	
2.0	42601-L3E-000-KB	RR. CAST WHEEL COMP(BK-001C)	1	2013/12/09
3.0	42753-KJ9-000	VALVE RIM (PVR-70B)	1	
4.0	43120-L3E-000	RR. ABS DETECTIVE DISK	1	
5.0	43121-L3A-900	RR. BRAKE DISK(S-421S)	1	
6.0	44720-H9A-000	BALANCE WEIGHT	1	
7.0	52400-L3A-000-KB	RR. CUSHION ASSY(BK-001C)	2	2013/12/09
8.0	90105-B9D-000	FLANGE BOLT 6X12	6	
9.0	90105-KR3-000	FR. DISK BOLT 8X24	5	
10.0	95801-08035-07	FLANGE BOLT M8X35	2	
11.0	95801-10040-08	FLANGE BOLT 10X40	2	



F13  
INNER BOX

LN30W5-EU (GTS 300I ABS)

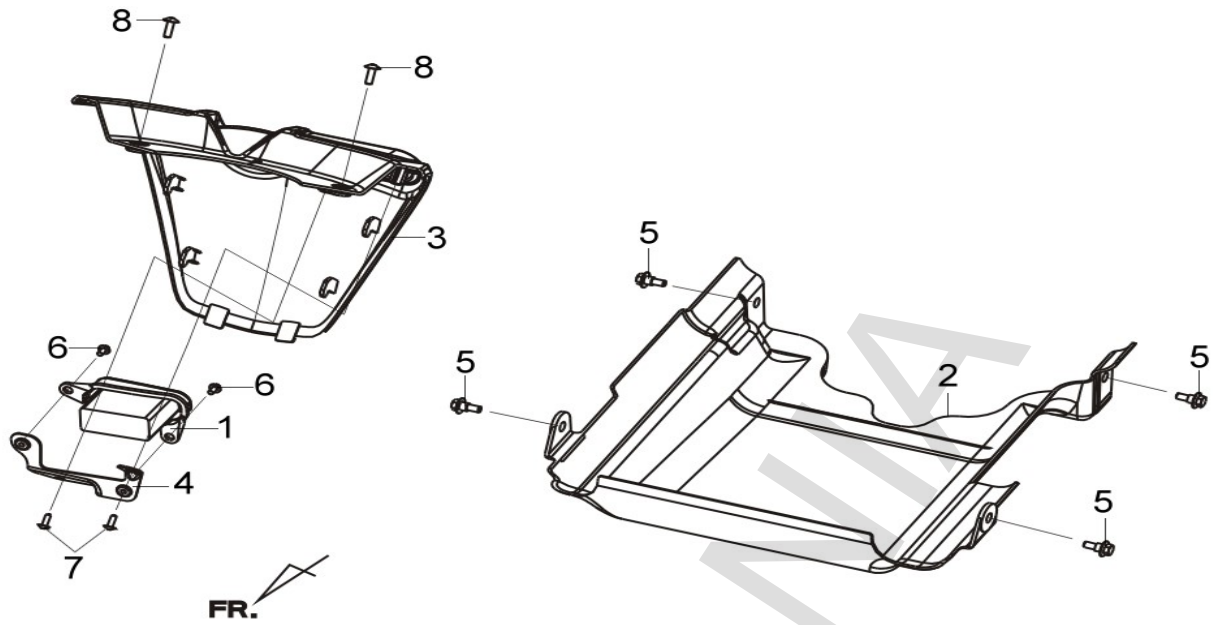


Pictures reference only

NO	PARTS NUMBER	DESCRIPTION	QTY	EFFECTIVE DATE
1.0	38600-L4A-000	DC. POWER OUTLET ASSY	1	
2.0	40545-L1G-000	INNER BOX USB HOLE CAP	1	
3.0	50326-L3A-000-IL	BATTERY COVER(GY-7450U)	1	2013/12/09
4.0	64323-L3A-000-KA	R. FLOOR MAT B(BK-001U)	1	2013/12/09
5.0	64324-L3A-000-KA	L. FLOOR MAT B(BK-001U)	1	2013/12/09
6.0	81131-L3A-000-KA	INNER BOX(BK-001U)	1	2013/12/09
7.0	81141-L3A-000-IL	INNER BOX LID(GY-7450U)	1	2013/12/09
8.0	81142-L3A-000	INNER BOX LID STIFFENER	1	
9.0	81143-L3A-000	INNER BOX LID HINGE STAY	1	
10.0	81149-L4A-000	FUSE BOX STAY	1	
11.0	81152-L3A-000-KA	AIR DUCT COVER(BK-001U)	1	2013/12/09
12.0	8115A-L3A-000	AIR DUCT ASSY	1	
13.0	8116A-L3A-000	COIN BOX LOCK ASSY	1	
14.0	83619-L2A-000	COIN BOX RUBBER	2	
15.0	90111-HKD-000	BOLT FLANGE 6MM	2	
16.0	90111-M9Q-900	FLANGE BOLT(MFZn2-C)6MM	2	
17.0	90308-X04-000	SPECIAL NUT 5MM	3	
18.0	93903-34320	TAPPING SCREW 4X12	3	
19.0	93903-34380	TAPPING SCREW 4X12	6	
20.0	93903-35280	TAPPING SCREW 5X12	4	
21.0	93903-35380	TAPPING SCREW 5X16	6	
22.0	93903-44380	TAPPING SCREW 4X12	2	
23.0	93903-45280	TAPPING SCREW 5X12	1	

F14  
UNDER COVER

LN30W5-EU (GTS 300I ABS)

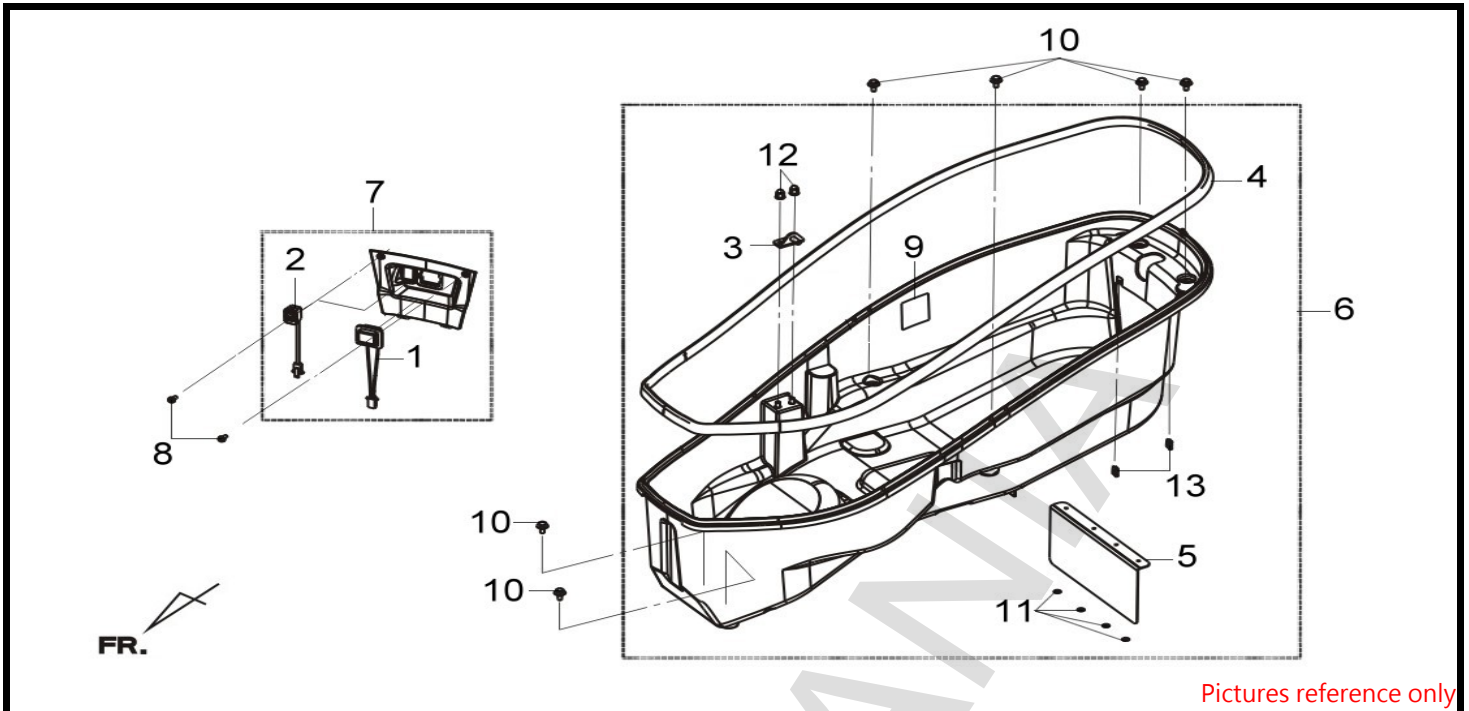


Pictures reference only

NO	PARTS NUMBER	DESCRIPTION	QTY	EFFECTIVE DATE
1.0	35360-L3A-000	HAZARD & FOGGY SW COMP	1	2013/12/09
2.0	50611-HMA-000	UNDER COVER(BK-001U)	1	
3.0	81132-L3A-000-KA	MAIN SW. COVER(BK-001U)	1	
4.0	81134-L3A-000	HAZARD SW. STAY	1	
5.0	90111-M9Q-800	FLANGE BOLT 6MM	4	
6.0	93891-04008-08	SCREW WASHER 4X8	2	
7.0	93903-34320	TAPPING SCREW 4X12	2	
8.0	93903-45280	TAPPING SCREW 5X12	2	

F15  
LUGGAGE BOX ASSY

LN30W5-EU (GTS 300I ABS)

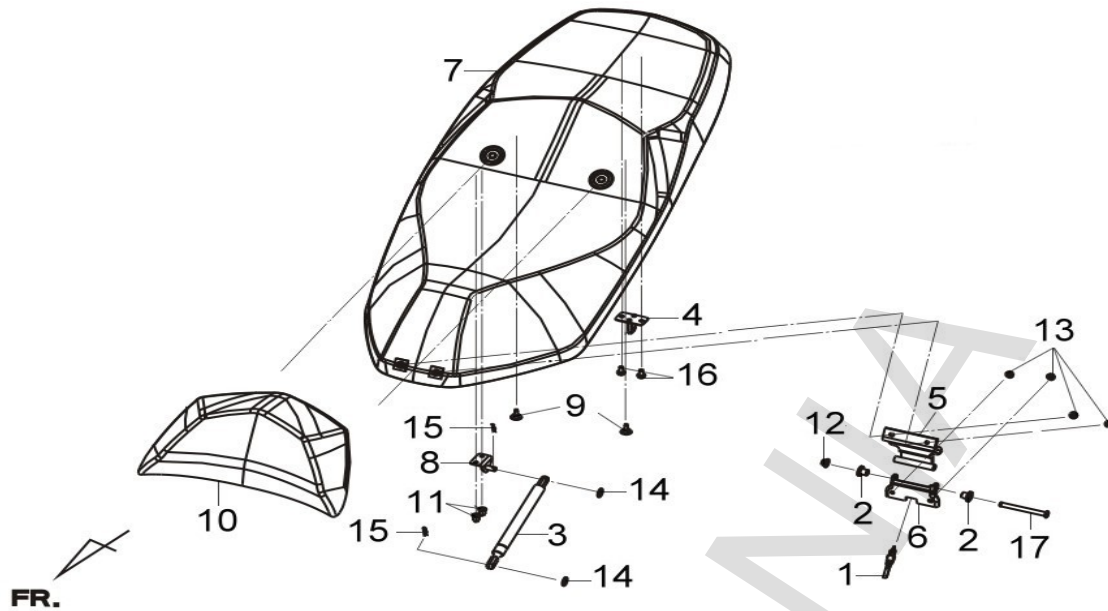


Pictures reference only

NO	PARTS NUMBER	DESCRIPTION	QTY	EFFECTIVE DATE
1.0	35370-M9P-000	LUGGAGE BOX LIGHT ASSY	1	
2.0	36600-A1A-200	ENG. START CONTROL SW	1	
3.0	74481-HMA-100	SEAT OPEN STAY BRKT.	1	
4.0	77115-L3A-000	LUGGAGE BOX RRUBBER	1	
5.0	80104-HMA-000	SPLASH GUARD PLATE	1	
6.0	8125A-L3A-010-KA	LUGGAGE BOX ASSY(BK-001U)	1	2013/12/09
7.0	8125B-L3A-000	LUG BOX RR COVER ASSY.	1	
8.0	83650-L3A-000	SPECIAL BOLT 5MM	2	
9.0	87505-L3A-000	TIRE CAUTION MARK	1	
10.0	90111-M9Q-800	FLANGE BOLT 6MM	6	
11.0	90301-GE0-000	CLIP NUT	4	
12.0	90304-M9Q-900	HEX CAP NUT 6MM	2	
13.0	90677-GR1-003	CLIP NUT 5X0.8	2	

F16  
DOUBLE SEAT

LN30W5-EU (GTS 300I ABS)

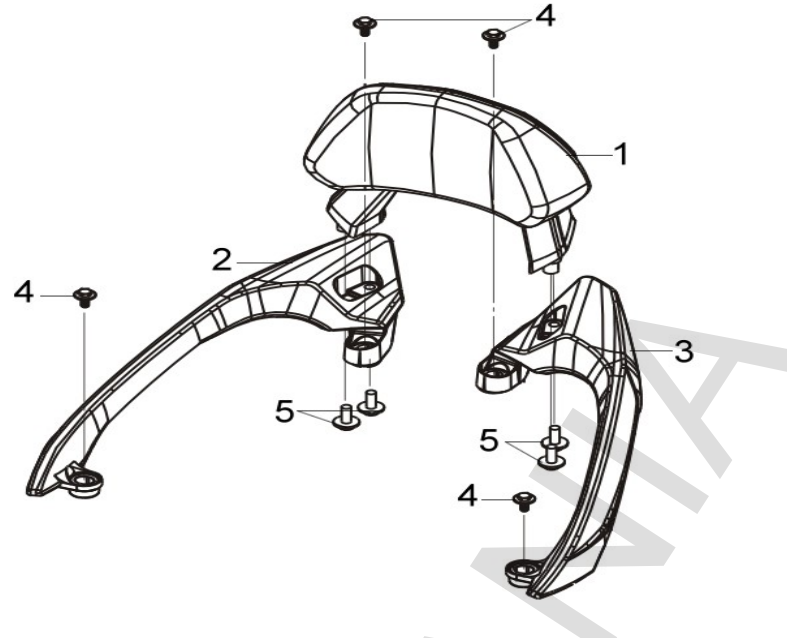


Pictures reference only

NO	PARTS NUMBER	DESCRIPTION	QTY	EFFECTIVE DATE
1.0	35345-L3A-000	SEAT OPEN LAMP SW	1	
2.0	50757-L3A-000	SEAT HINGE OILES	2	
3.0	74480-L3A-000	OPEN STAY	1	
4.0	77101-L3A-000	SEAT LOCK BAR	1	
5.0	77111-L3A-000	SEAT HINGE STAY A	1	
6.0	77112-L3A-000	SEAT HINGE STAY B	1	
7.0	77200-L3A-000	DOUBLE SEAT ASSY	1	
8.0	77202-HMA-100	OPEN STAY BRKT A	1	
9.0	77203-HMA-900	BACK SEAT SET BOLT 5mm	2	
10.0	77300-L3A-000	BACK SEAT ASSY	1	
11.0	90304-M9Q-900	HEX CAP NUT 6MM	2	
12.0	90306-BAA-000	U NUT 6MM	1	
13.0	94050-06080	FLANGE NUT 6MM	4	
14.0	94101-08800	PLAIN WASHER 8MM	2	
15.0	94251-08400	LOCK PIN 8MM (LATCH PIN)	2	
16.0	95801-06012-07	FLANGE BOLT 6X12	2	
17.0	95801-06090-07	FLANGE BOLT 6x90	1	

F17  
R/L RR. CARRIER

LN30W5-EU (GTS 300I ABS)

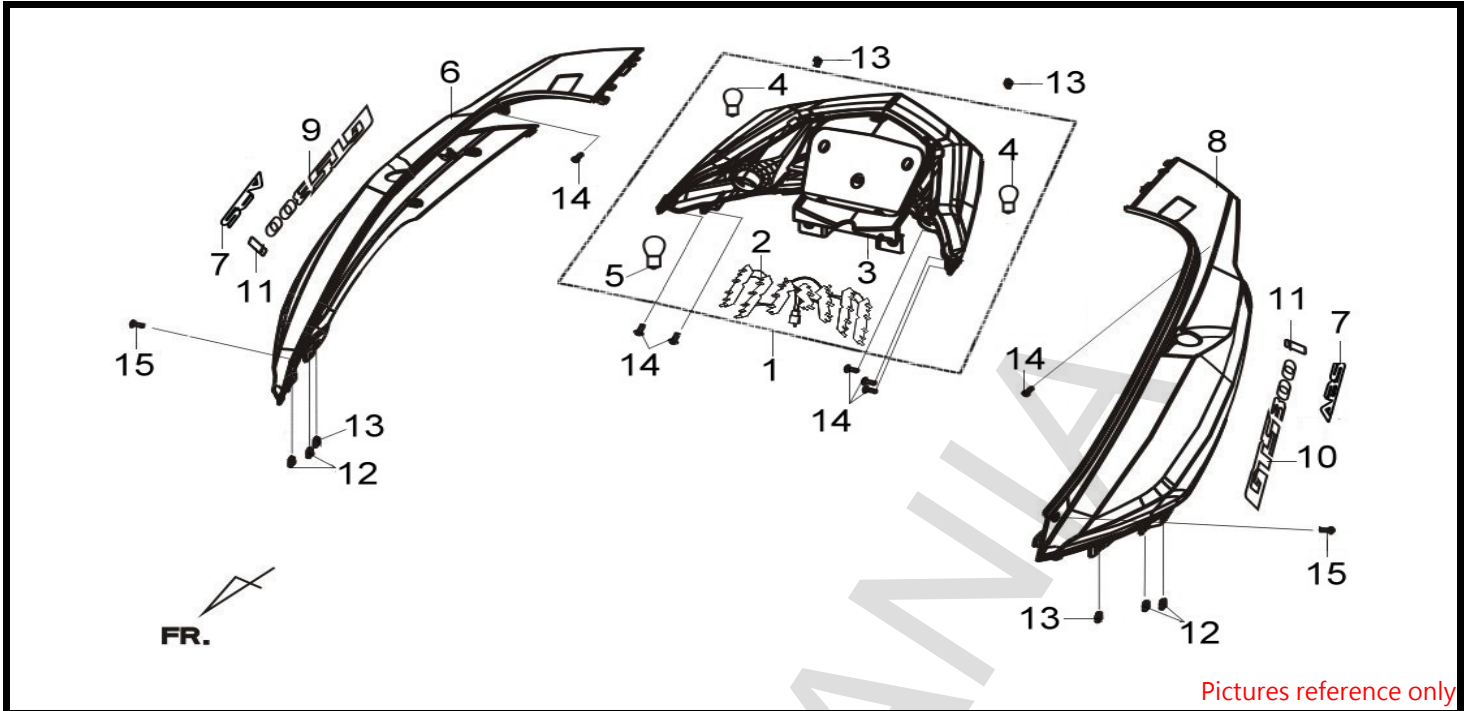


Pictures reference only

NO	PARTS NUMBER	DESCRIPTION	QTY	EFFECTIVE DATE
1.0	77400-L3A-000-KA	RR. BACK SEAT ASSY(BK-001U)	1	2013/12/09
2.0	81200-L3A-000-IL	R. RR. CARRIER(GY-7450U)	1	2013/12/09
3.0	81210-L3A-000-IL	L. RR. CARRIER(GY-7450U)	1	2013/12/09
4.0	90105-H7A-010	SPECIAL BOLT 8MM	4	
5.0	93406-08020-07	WASHER BOLT 8*20	4	

F18  
BODY COVER

LN30W5-EU (GTS 300I ABS)



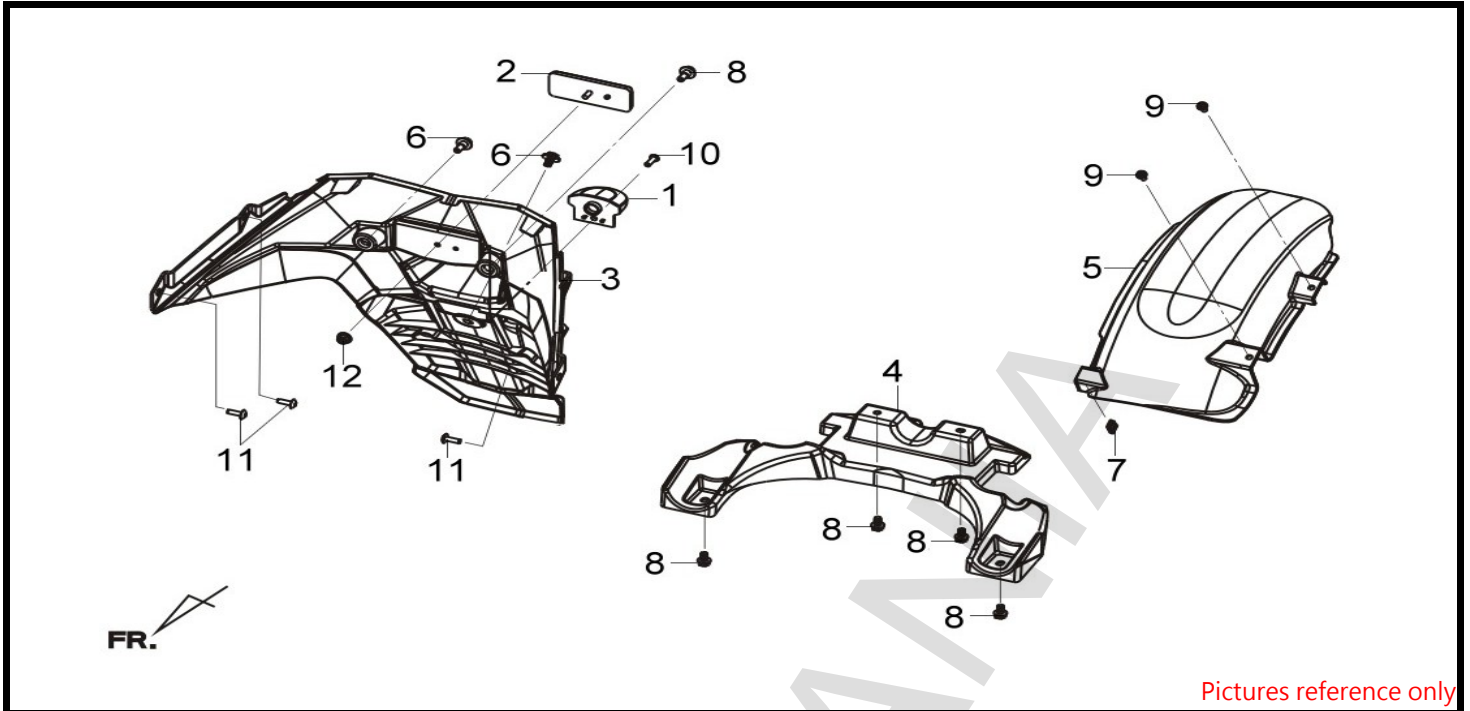
Pictures reference only

NO	PARTS NUMBER	DESCRIPTION	QTY	EFFECTIVE DATE
1.0	33700-L3A-000	RR. COMB LIGHT ASSY	1	
2.0	33703-L3A-000	TAIL LIGHT UNIT	1	
3.0	33704-L3A-000	TAIL LIGHT COVER	1	
4.0	34905-RCA-000	WINKER BULB	2	
5.0	34906-RA1-000	TAIL LIGHT BULB(12V,21W/5W)	1	
6.0	83500-L3A-000-IL	R. BODY COVER(GY-7450U)	1	
6.0	83500-L3A-000-KX	R. BODY COVER(BK-231S)	1	
6.0	83500-L3A-000-QU	R. BODY COVER(WH-300P)	1	
6.0	83500-L3A-000-OQ	R. BODY COVER(S-7S)	1	2013/12/09
7.0	83501-L4C-000	ABS EMBLEM	2	2013/12/09
8.0	83600-L3A-000-IL	L. BODY COVER(GY-7450U)	1	
8.0	83600-L3A-000-KX	L. BODY COVER(BK-231S)	1	
8.0	83600-L3A-000-QU	L. BODY COVER(WH-300P)	1	
8.0	83600-L3A-000-OQ	L. BODY COVER(S-7S)	1	2013/12/09
9.0	87126-L3A-000	R. BODY COVER EMBLEM	1	2013/12/09
10.0	87127-L3A-000	L. BODY COVER EMBLEM	1	2013/12/09
11.0	87129-HML-000	i MARK	2	2013/12/09
12.0	90308-X04-000	SPECIAL NUT 5MM	4	
13.0	90677-GR1-003	CLIP NUT 5X0.8	4	
14.0	93903-35320	TAPPING SCREW 5X16	7	
15.0	93903-45380	TAPPING SCREW 5X16	2	



F19  
TAIL LIGHT

LN30W5-EU (GTS 300I ABS)



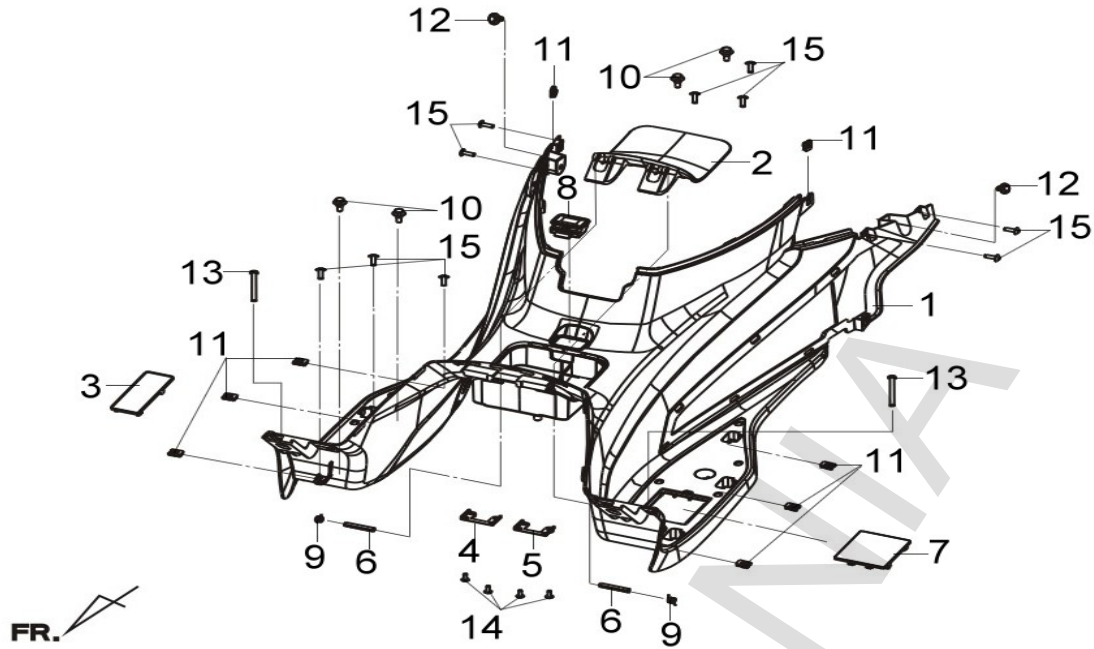
Pictures reference only

NO	PARTS NUMBER	DESCRIPTION	QTY	EFFECTIVE DATE
1.0	33740-LEA-010	LICENSE LIGHT ASSY	1	
2.0	33741-M9A-100	RR. REFLEX REFLECTOR	1	
3.0	80100-L3A-000-KA	RR. FENDER(BK-001U)	1	2013/12/09
4.0	80105-L3A-000	RR. INNER FENDER	1	
5.0	80106-L3A-000-KA	RR. MUDGUARD(BK-001U)	1	2013/12/09
6.0	90111-L2A-000	FLANGE BOLT 6MM	2	
7.0	90677-GR1-003	CLIP NUT 5X0.8	1	
8.0	93404-06012-07	WASHER BOLT 6X12	5	
9.0	93894-05016-07	WASHER SCREW	2	
10.0	93901-35380	SCREW TAPPING 5*16	1	
11.0	93903-35320	TAPPING SCREW 5X16	3	
12.0	94050-05080	FLANGE NUT 5MM	1	



F20  
FLOOR PANEL

LN30W5-EU (GTS 300I ABS)

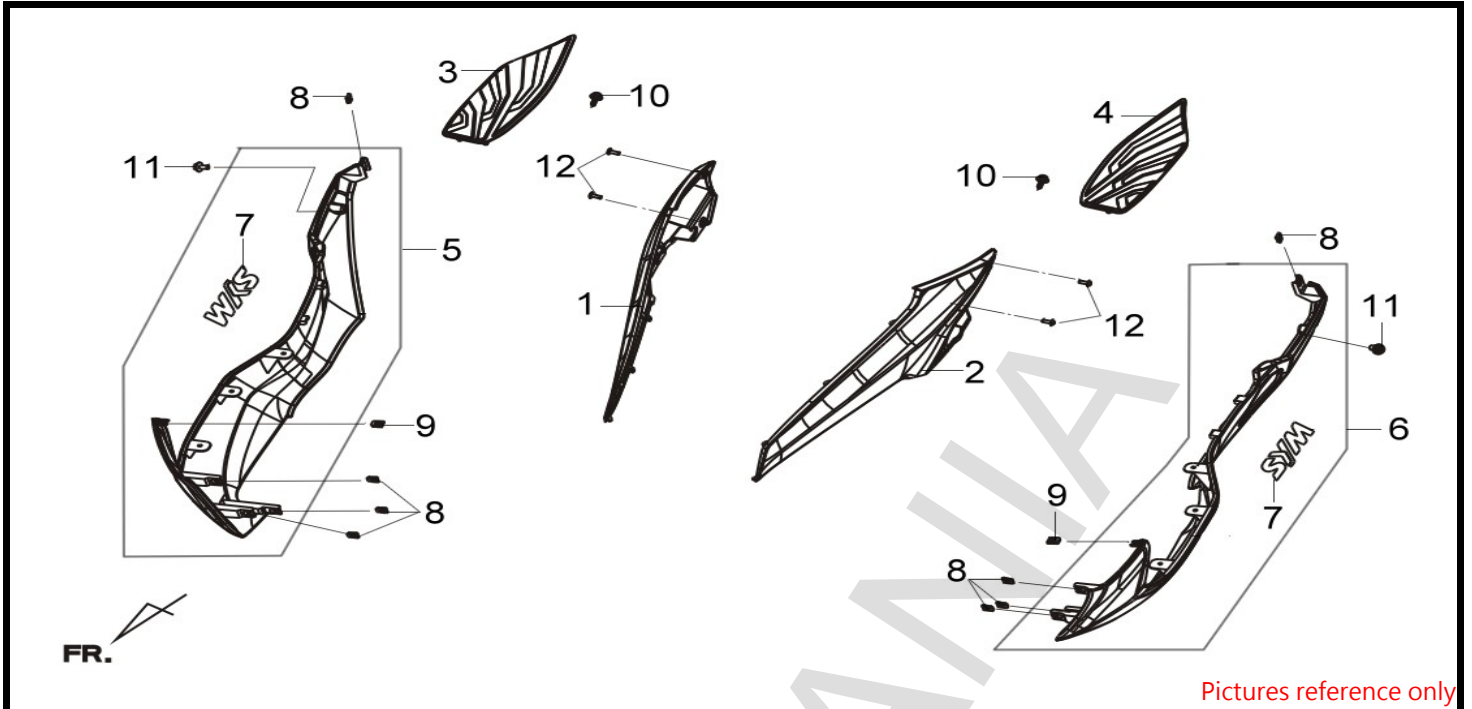


Pictures reference only

NO	PARTS NUMBER	DESCRIPTION	QTY	EFFECTIVE DATE
1.0	64310-L3A-010-KA	FLOOR PANEL(BK-001U)	1	2013/12/09
2.0	64311-L3A-010-KA	FUEL CAP LID(BK-001U)	1	2013/12/09
3.0	64313-F3C-000-KA	FRAME NUMBER LID(BK-001U)	1	2013/12/09
4.0	64315-L3A-000	R. LID HINGE STAY	1	
5.0	64316-L3A-000	L. LID HINGE STAY	1	
6.0	64317-L3A-000	LID HINGE PIN	2	
7.0	64318-L3A-000	RES. TANK LID	1	
8.0	64320-L4A-000	FUEL TANK COVER LOCK	1	
9.0	81153-HMA-100	COIN BOX LID SPRING	2	
10.0	90111-HKD-000	BOLT FLANGE 6MM	4	
11.0	90308-X04-000	SPECIAL NUT 5MM	8	
12.0	93401-06014-07	WASH BOLT 6X14	2	
13.0	93891-05035-07	WASHER SCREW 5MM	2	
14.0	93903-34320	TAPPING SCREW 4X12	4	
15.0	93903-45380	TAPPING SCREW 5X16	10	

F21  
R/L SIDE COVER

LN30W5-EU (GTS 300I ABS)

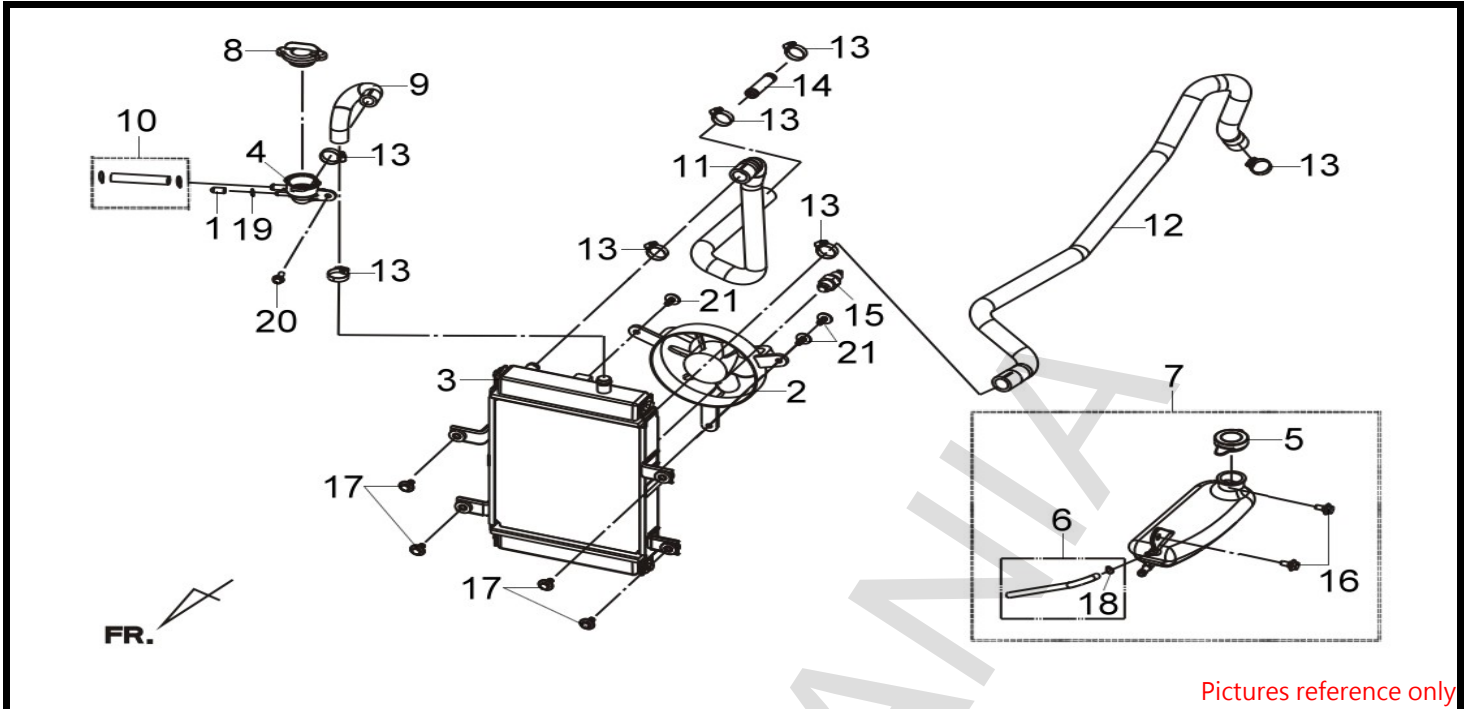


Pictures reference only

NO	PARTS NUMBER	DESCRIPTION	QTY	EFFECTIVE DATE
1.0	64313-L3A-000-IL	R. FLOOR GARNISH(GY-7450U)	1	2013/12/09
2.0	64314-L3A-000-IL	L. FLOOR GARNISH(GY-7450U)	1	2013/12/09
3.0	64321-L3A-000-KA	R. FLOOR MAT A(BK-001U)	1	2013/12/09
4.0	64322-L3A-000-KA	L. FLOOR MAT A(BK-001U)	1	2013/12/09
5.0	8352G-L3A-000-IL	R. SIDE COVER SET(GY-7450U)	1	
5.0	8352G-L3A-000-KX	R. SIDE COVER SET(BK-231S)	1	
5.0	8352G-L3A-000-QU	R. SIDE COVER SET(WH-300P)	1	
5.0	8352G-L3A-000-OQ	R. SIDE COVER SET(S-7S)	1	2013/12/09
6.0	8362G-L3A-000-IL	L. SIDE COVER SET(GY-7450U)	1	
6.0	8362G-L3A-000-KX	L. SIDE COVER SET(BK-231S)	1	
6.0	8362G-L3A-000-QU	L. SIDE COVER SET(WH-300P)	1	
6.0	8362G-L3A-000-OQ	L. SIDE COVER SET(S-7S)	1	2013/12/09
7.0	87121-A5W-000-T3	SYM MARK (90 STRIPE) TYPE3	2	
7.0	87121-A5W-000-T2	SYM MARK (90 STRIPE) TYPE2	2	2013/12/09
8.0	90308-X04-000	SPECIAL NUT 5MM	8	
9.0	90677-GR1-003	CLIP NUT 5X0.8	2	
10.0	93891-05016-07	WASHER SCREW 5X16	2	
11.0	93891-05035-07	WASHER SCREW 5MM	2	
12.0	93903-45380	TAPPING SCREW 5X16	4	

F22  
RADIATOR ASSY

LN30W5-EU (GTS 300I ABS)

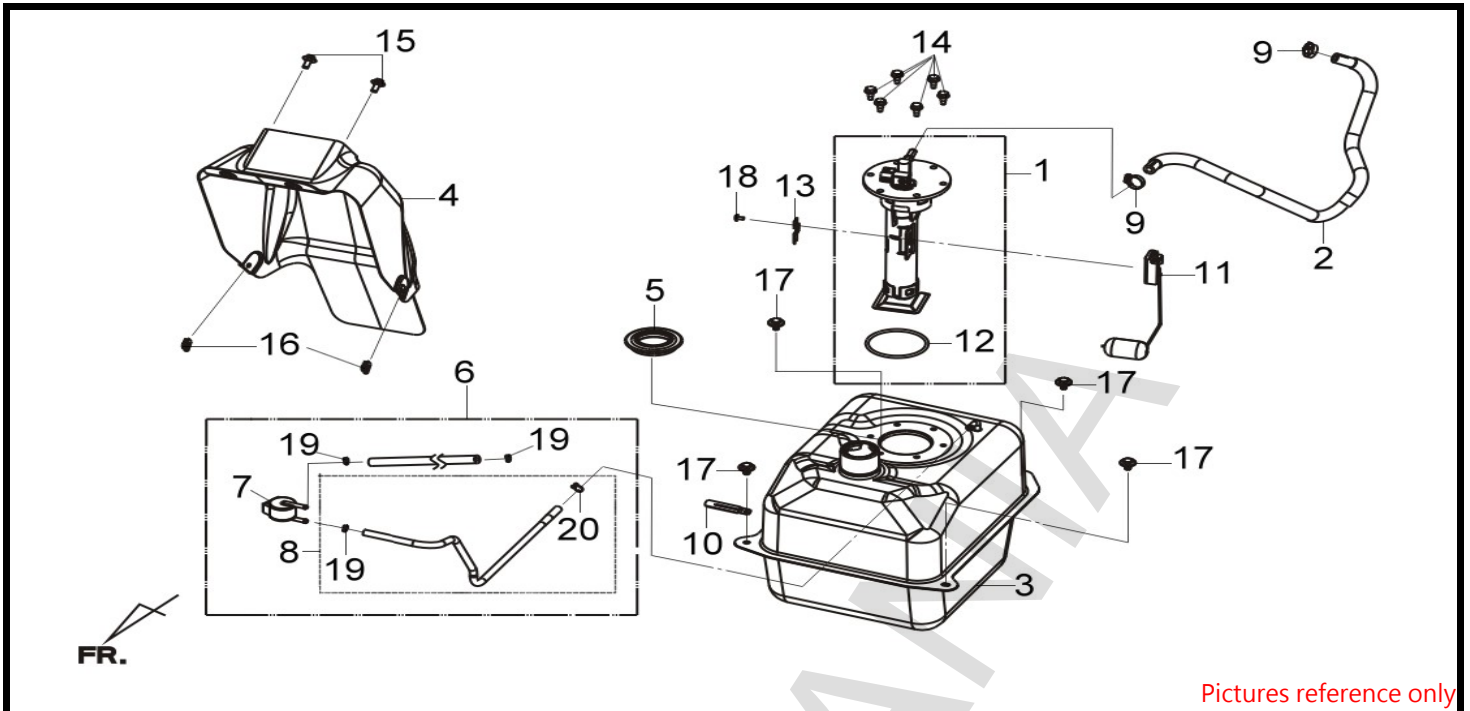


Pictures reference only

NO	PARTS NUMBER	DESCRIPTION	QTY	EFFECTIVE DATE
1.0	17236-FWA-000	TUBE PLUG	1	
2.0	19005-HMA-000	SHROUD ASSY	1	
3.0	19010-L3A-000	RADIATOR COMP	1	
4.0	19039-LVA-000	FILLER NECK	1	
5.0	19104-M9Q-000	RESERVE TANK CAP.	1	
6.0	19109-L3A-000	RESERVE TANK TUBE	1	
7.0	1910A-L3A-000	RESERVE TANK ASSY	1	
8.0	19111-H9A-000	RADIATOR FILLER CAP	1	
9.0	19125-L3A-000	RADIATOR HOSE A	1	
10.0	19126-L3A-000	RADIATOR HOSE B	1	
11.0	19501-L3A-000	RADIATOR INLET WATER HOSE	1	
12.0	19505-L3A-000	ENG. INLET WATER HOSE	1	
13.0	19505-REA-000	HOSE CLAMP	7	
14.0	19509-HWA-000	WATER HOSE 2 WAY JOINT	1	
15.0	37760-HMA-000	THERMO. SW	1	
16.0	90111-M9Q-800	FLANGE BOLT 6MM	2	
17.0	93404-06020-08	WASHER BOLT	4	
18.0	95002-02080	BREATHER TUBE CLIP B8	1	
19.0	95002-40800-08	TUBE CLAMPER D8.0	1	
20.0	95801-06012-08	FLANGE BOLT 6X12	1	
21.0	95801-06016-08	FLANGE BOLT 6X16	3	

F23  
FUEL TANK

LN30W5-EU (GTS 300I ABS)

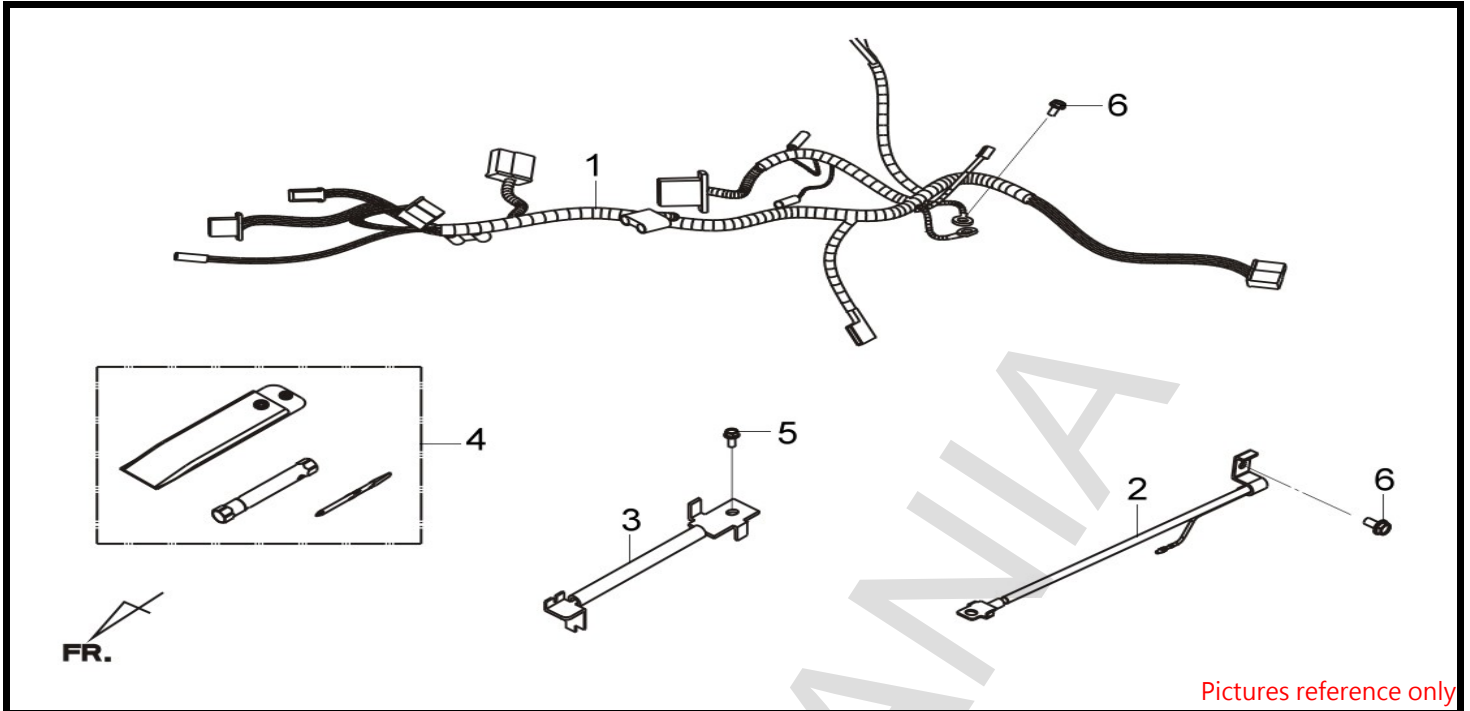


Pictures reference only

NO	PARTS NUMBER	DESCRIPTION	QTY	EFFECTIVE DATE
1.0	1670A-HWA-000	FUEL PUMP ASSY	1	
2.0	16730-L3A-000	FUEL TUBE	1	
3.0	17500-L3A-010	FUEL TANK	1	
4.0	17508-L3A-000	FUEL TANK HEAT GUARD	1	
5.0	17512-L3A-010	PACKING FILTER NECK	1	
6.0	17580-L3A-010	FUEL CUT VALVE ASSY	1	
7.0	17581-HMA-000	FUEL CUT VALVE(LIYANG)	1	
8.0	17585-L3A-010	TANK-FCV TUBE	1	
9.0	19505-H5D-000	HOSE CLAMP	2	
10.0	32162-H6T-000	CLIP 2*100	1	
11.0	37800-L3A-010	FUEL UNIT	1	
12.0	37801-A5L-000	FUEL FILTER PACKING	1	
13.0	37804-LEA-000	FUEL UNIT STAY	1	
14.0	90106-LEA-000	FUEL PUMP BOLT	6	
15.0	90111-GJ5-000	BOLT FLANGE 6MM	2	
16.0	90308-X04-000	SPECIAL NUT 5MM	2	
17.0	93404-06012-07	WASHER BOLT 6X12	4	
18.0	93903-HGC-000	TAPPING SCREW	1	
19.0	95002-02080	BREATHER TUBE CLIP B8	1	
20.0	95002-50000	TUBE CLIP C9 5MM	1	

F24  
WIRE HARNESS

LN30W5-EU (GTS 300I ABS)

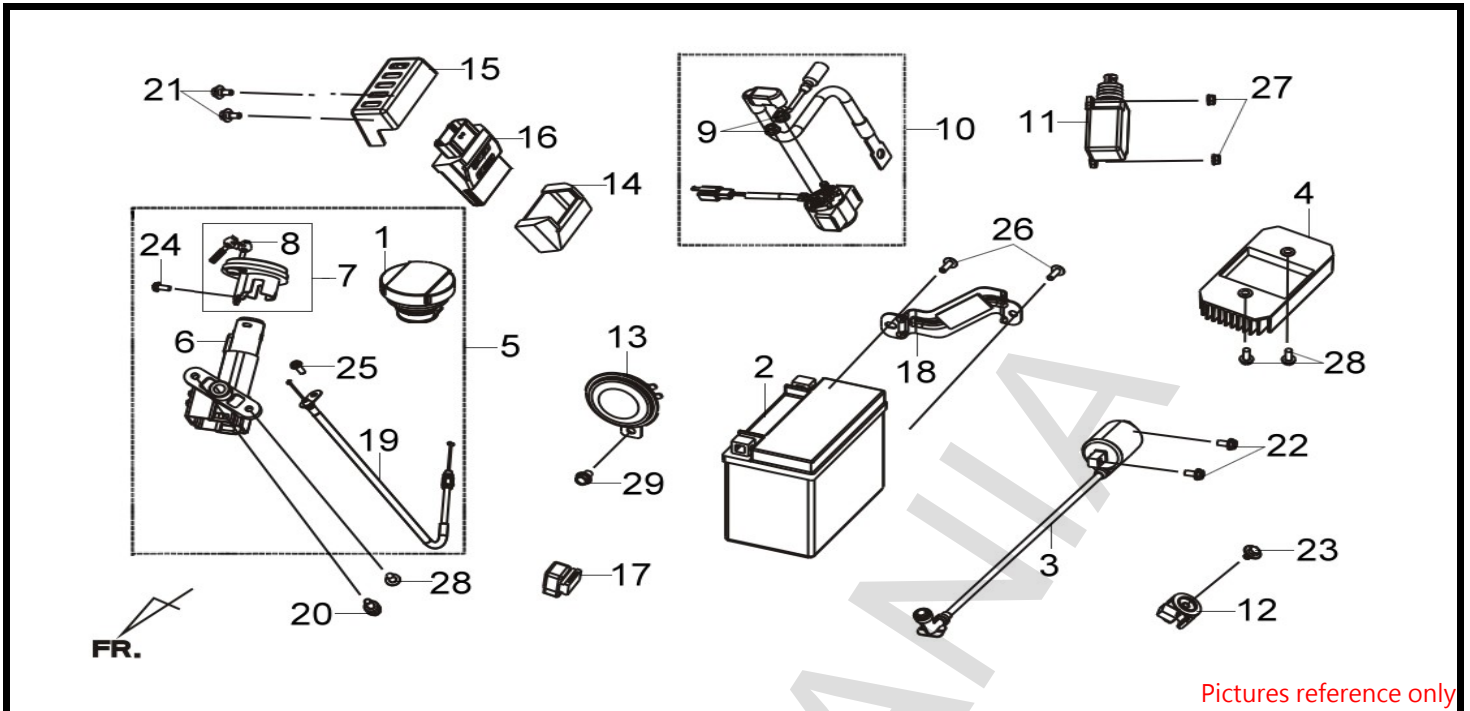


Pictures reference only

NO	PARTS NUMBER	DESCRIPTION	QTY	EFFECTIVE DATE
1.0	32100-L3G-000	WIRE HARNESS	1	
2.0	32412-L3A-000	EARTH CABLE	1	
3.0	32415-LEA-000	EARTH CABLE B	1	
4.0	89010-M92-000	TOOL SET	1	
5.0	90110-FYA-000	FLANGE BOLT 6X14	1	
6.0	95801-06012-07	FLANGE BOLT 6X12	2	

F25  
ELECTRIC PART

LN30W5-EU (GTS 300I ABS)



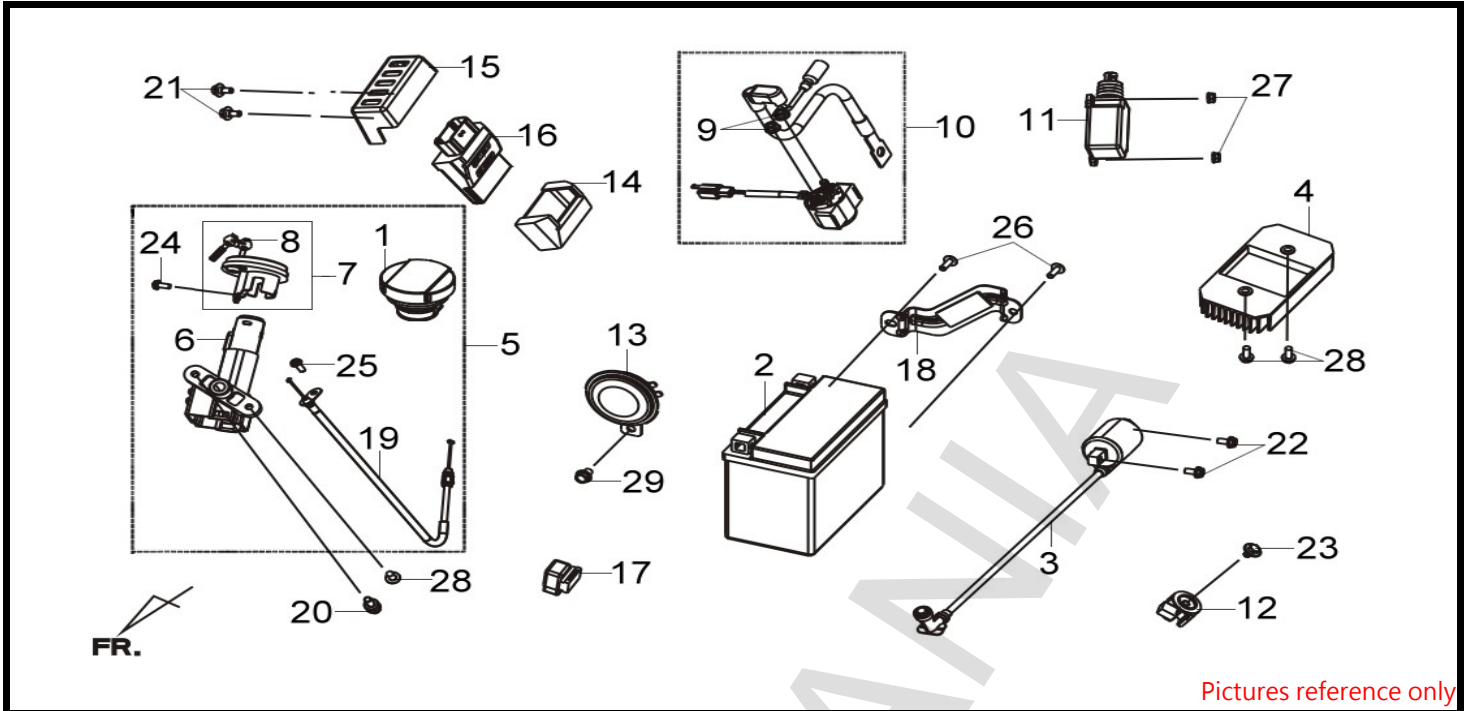
Pictures reference only

NO	PARTS NUMBER	DESCRIPTION	QTY	EFFECTIVE DATE
1.0	17620-L4A-000	FUEL FILLER CAP COMP	1	
2.0	1Y01BAA01-Y	BATTERY ASSY.YT12A-BS	1	
3.0	3051A-L3A-000	IGNITION COIL ASSY	1	
4.0	31600-L4A-000	REG. REC. ASSY	1	
5.0	35010-L3A-000	KEY SET	1	
6.0	35100-L4A-000	COMB.SW.ASS'Y	1	
7.0	35110-L4A-000	SHUTTER COMP	1	
8.0	35111-L4A-000-B01	KEY	1	
9.0	35859-M9Q-000	STAR MAG. SW NUT	1	
10.0	3585A-L3A-000	START MAG. SW. ASSY	1	
11.0	35880-HMB-000	LINER MOTOR ASSY.	1	
12.0	36500-HMA-000	SIDE STAND SW COMP	1	
13.0	38110-L3A-000	HORN COMP	1	
14.0	38700-L4A-900	ECU SUSPENSION	1	
15.0	38701-L3A-000	ECU COVER	1	
16.0	38710-L3D-000	ENG. CONT UNIT	1	
17.0	38800-H5B-000	ELECTRIC RELAY UNIT	1	
18.0	50324-L3A-000	BATTERY BAND	1	
19.0	77240-L3A-010	SEAT LOCK CABLE	1	
20.0	90085-HHA-900	SELF LOCKING BOLT 6*16	1	
21.0	90111-N01-000	FLANGE BOLT 6MM	2	
22.0	90112-M9Q-000	FLANGE BOLT 5*22	2	
23.0	93404-06016-07	BOLT WASHER 6X16	1	
24.0	93891-05008-08	WASHER SCREW 5*8	1	
25.0	93892-05012-08	WASHER SCREW 5X12	1	



F25  
ELECTRIC PART

LN30W5-EU (GTS 300I ABS)



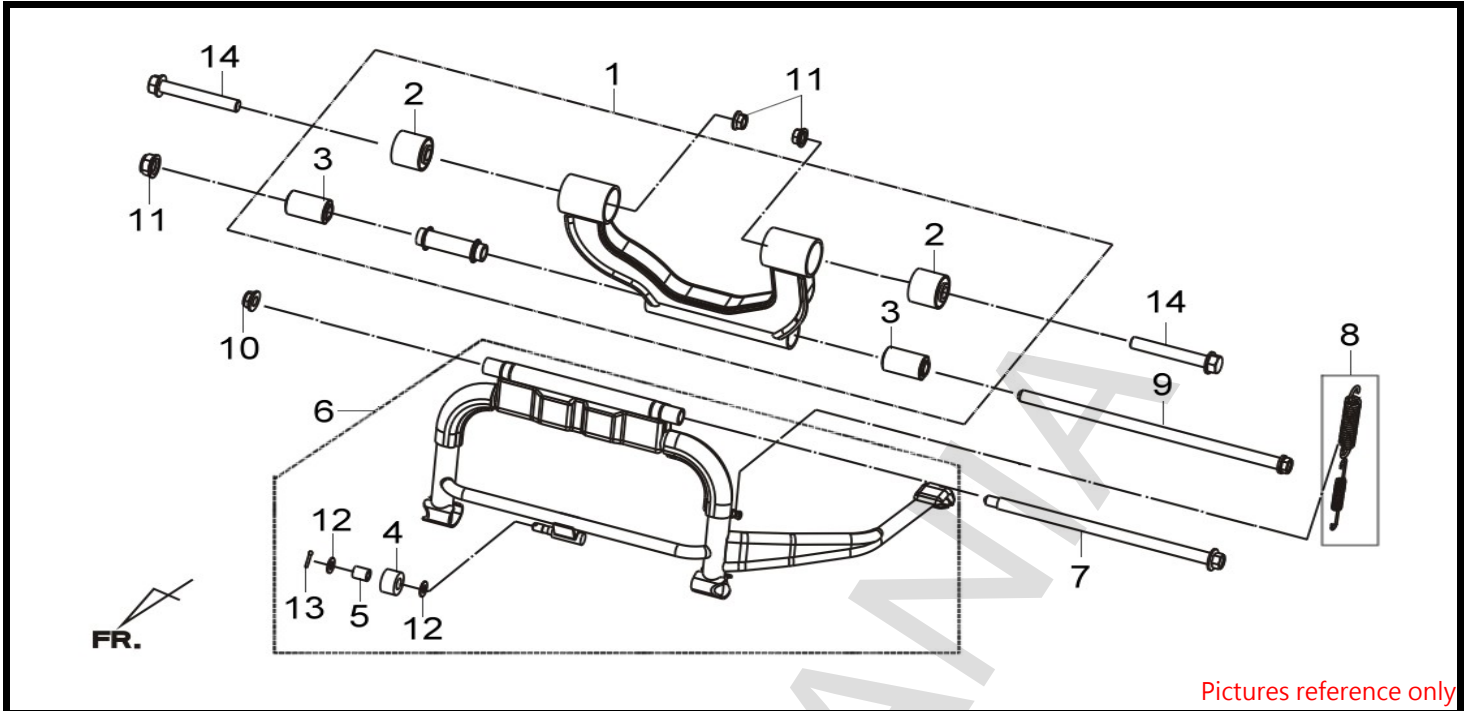
Pictures reference only

NO	PARTS NUMBER	DESCRIPTION	QTY	EFFECTIVE DATE
26.0	93903-45280	TAPPING SCREW 5X12	2	
27.0	94050-06080	FLANGE NUT 6MM	2	
28.0	95801-06016-08	FLANGE BOLT 6X16	3	
29.0	95801-08012-08	FLANGE BOLT 8X12	1	



F26  
MAIN STAND ASSY

LN30W5-EU (GTS 300I ABS)

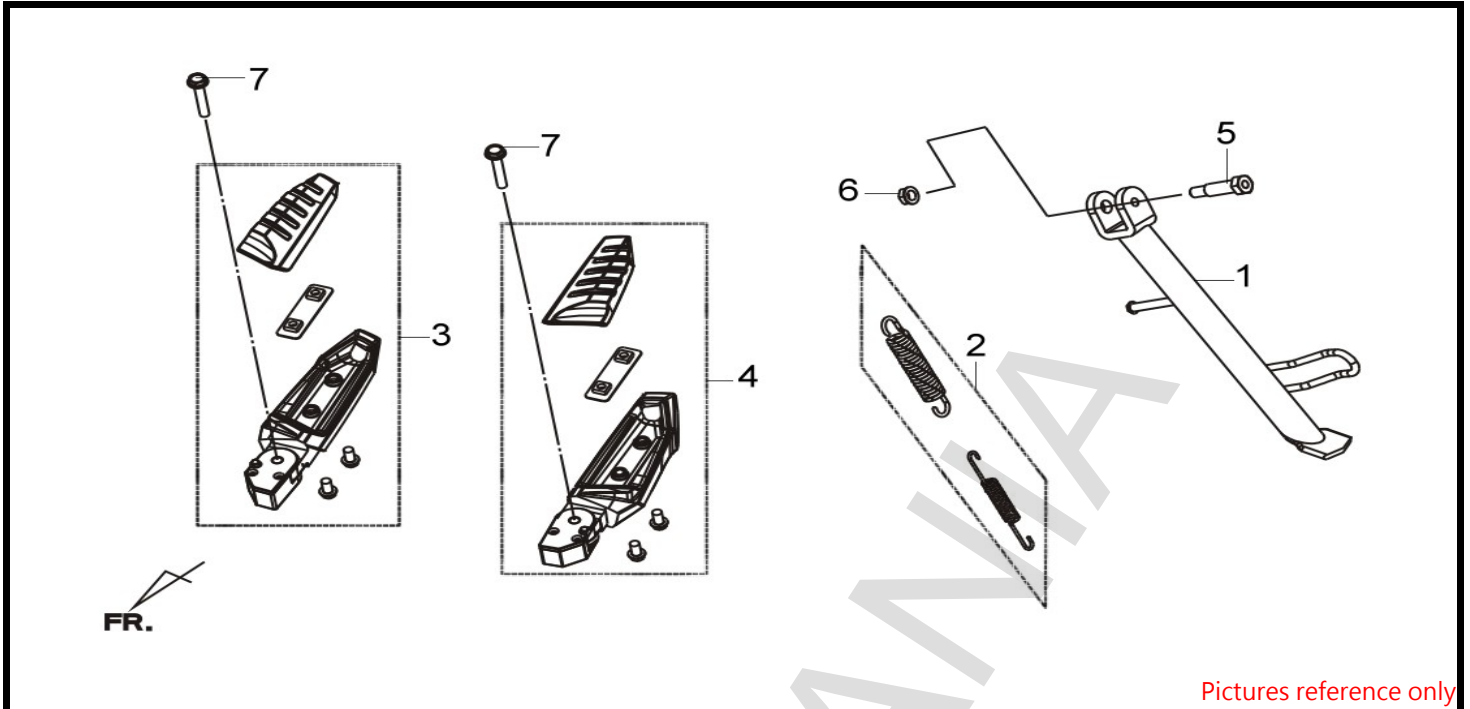


Pictures reference only

NO	PARTS NUMBER	DESCRIPTION	QTY	EFFECTIVE DATE
1.0	50350-L3A-000	ENG. HANGER LINK ASSY	1	
2.0	50353-HHA-000	SWING LOCK BUSH	2	
3.0	50357-HMA-000	ENG. HANGER BUSH	2	
4.0	50505-H3A-000	STAND STOPPER RUBBER	1	
5.0	50506-H3A-000	STOP RUBBER COLLAR	1	
6.0	5050A-L3A-900	MAIN STAND ASSY	1	
7.0	50512-H6B-000	MAIN STAND PIVOT BOLT	1	
8.0	5052A-L3A-010	SIDE STAND SPRING ASSY	1	
9.0	90107-L3A-000	FLANGE BOLT 12*268	1	
10.0	90304-M9Q-000	NUT U FLANGE 10MM	1	
11.0	90306-M9Q-000	SELF LOCK NUT 12MM	3	
12.0	94102-08800	PLAIN WASHER 8mm	2	
13.0	94201-25200	PIN SPLIT 2.5X20	1	
14.0	95801-12095-07	FLANGE BOLT 12*95	2	

F27  
SIDE STAND & R/L. STEP BAR

LN30W5-EU (GTS 300I ABS)

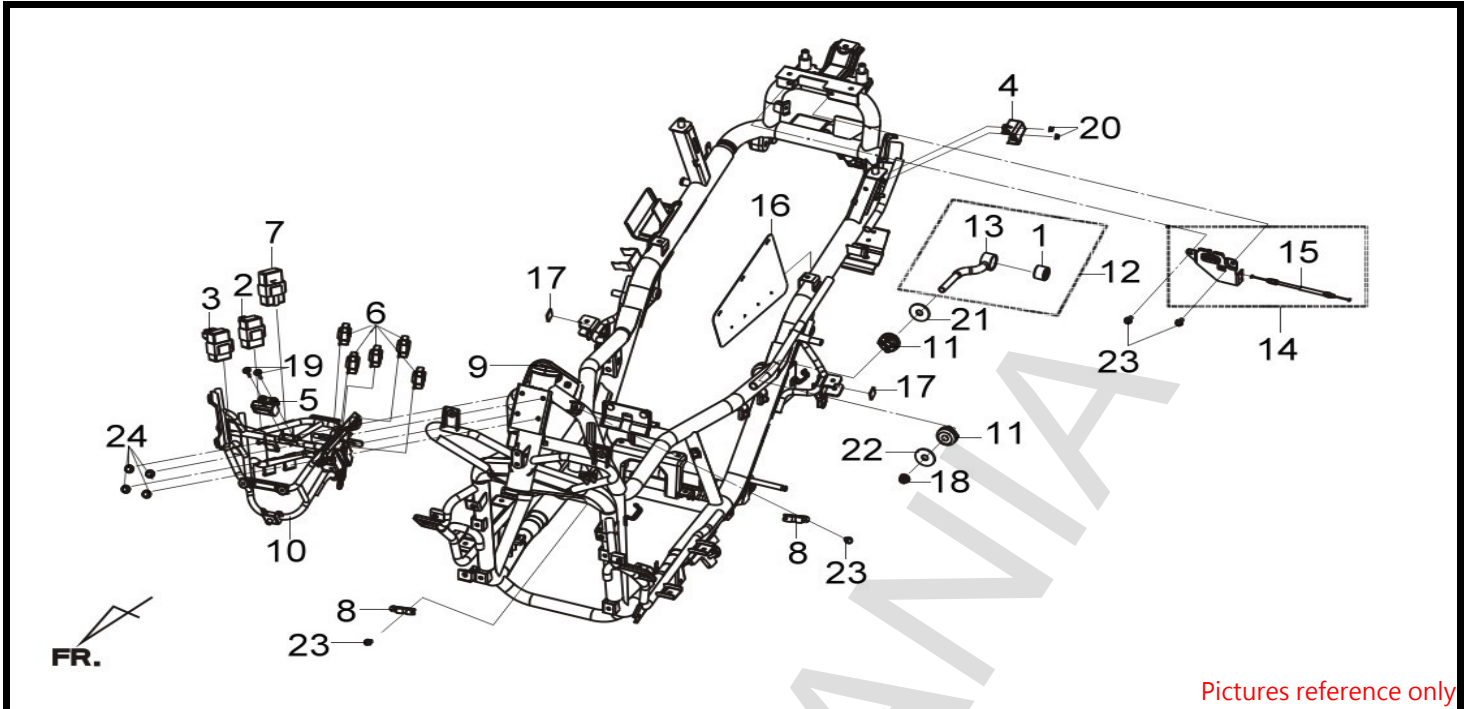


Pictures reference only

NO	PARTS NUMBER	DESCRIPTION	QTY	EFFECTIVE DATE
1.0	50530-HMA-100	SIDE STAND COMP	1	
2.0	5053A-HMA-000	SIDE STAND SPRING ASSY.	1	
3.0	5071A-F6B-000-IE	R. STEP BAR SET(GY-820)	1	2013/12/09
4.0	5071B-F6B-000-IE	L. STEP BAR SET(GY-820)	1	2013/12/09
5.0	90108-HMA-000	SIDE STAND PIVOT SCREW	1	
6.0	94030-08080	HEX NUT 8MM	1	
7.0	95801-06040-07	FLANGE BOLT 6X40	2	

F28  
FRAME BODY

LN30W5-EU (GTS 300I ABS)

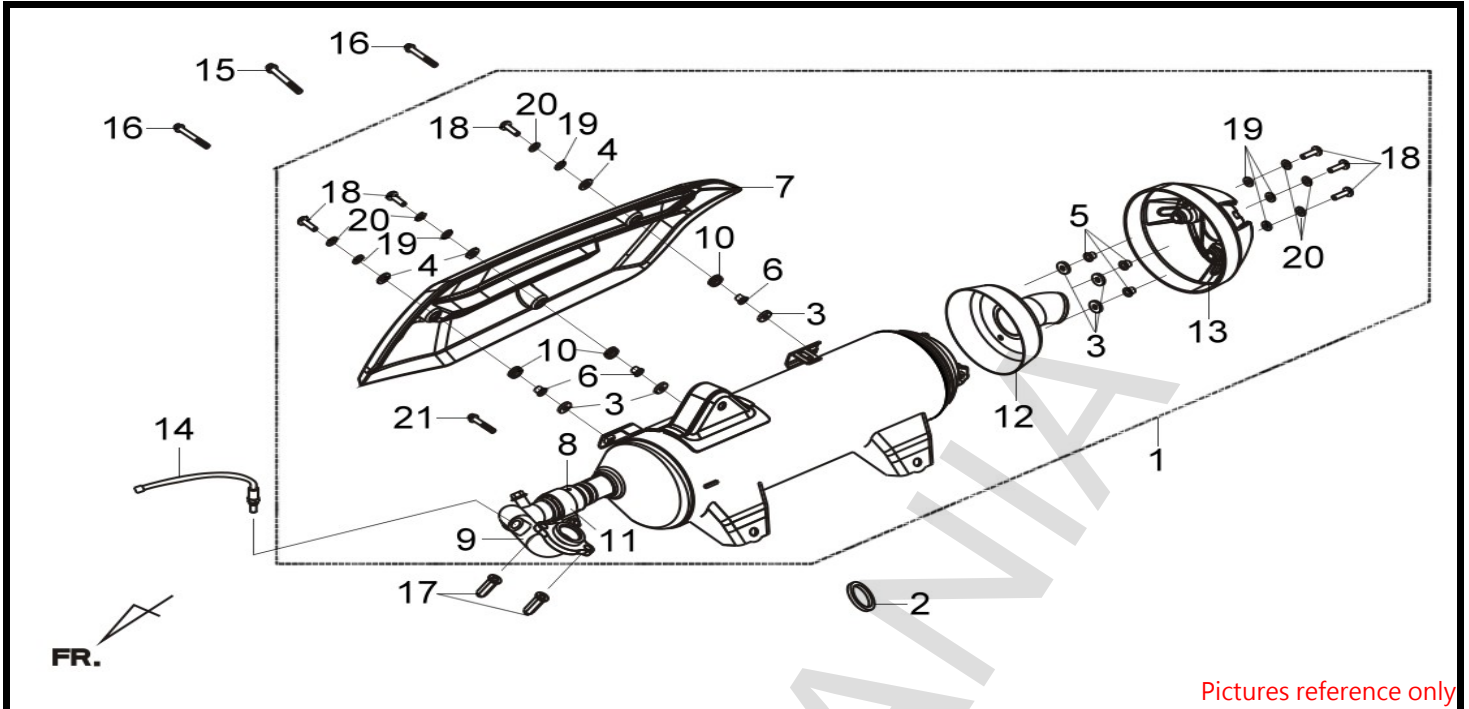


Pictures reference only

NO	PARTS NUMBER	DESCRIPTION	QTY	EFFECTIVE DATE
1.0	11102-H9A-300	ENG. HANGER RUB. BUSH	1	
2.0	3043A-REA-000	BATTERY OPEN CONTROL ASSY	1	
3.0	33800-VS1-010	HEAD LIGHT CONTROL UNIT	1	
4.0	35881-L3A-000	LINER MOTOR COVER	1	
5.0	36100-MMA-100	ROLL OVER SENSOR ASSY	1	
6.0	3850A-HLA-100	ELEC. RELAY ASSY	5	
7.0	3872A-L3D-000	HAZARD CONTROL UNIT ASSY	1	
8.0	45156-HMA-000	BRAKE HOSE CLAMP	2	
9.0	5010N-L3E-000	FRAME BODY COMP SET	1	
10.0	50315-L3A-000	FR. COVER STAY	1	
11.0	50352-L3A-000	STOPPER RUBBER	2	
12.0	50380-L3A-000	TENSION ROD ASSY	1	
13.0	50381-L3A-000	TENSION ROD	1	
14.0	77230-L3A-000	SEAT CATCH ASSY	1	
15.0	77241-L3A-000	SEAT LOCK CABLE B	1	
16.0	80103-HMA-000	L. SPLASH BOARD PLATE	1	
17.0	83619-L3A-000	RUBBER	2	
18.0	90304-M9Q-800	FLANGE U NUT 10MM	1	
19.0	93894-04022-08	WASHER SCREW	2	
20.0	94050-06080	FLANGE NUT 6MM	2	
21.0	94103-L2A-000	PLAIN WASHER 12MM	1	
22.0	94103-L3A-000	PLAIN WASHER 40MM	1	
23.0	95801-06012-08	FLANGE BOLT 6X12	4	
24.0	95801-08018-07	FLANGE BOLT 8*18	4	

F29  
MUFFLER ASSY

LN30W5-EU (GTS 300I ABS)

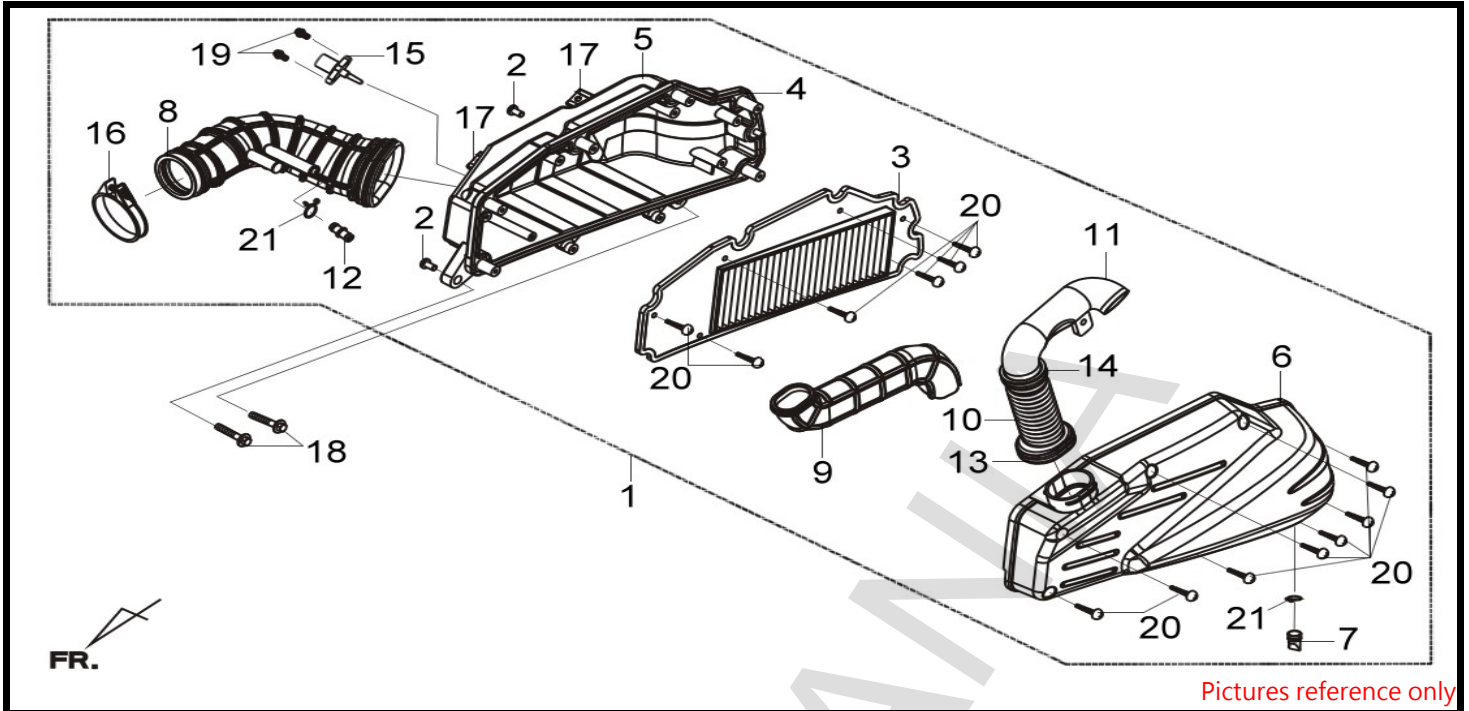


Pictures reference only

NO	PARTS NUMBER	DESCRIPTION	QTY	EFFECTIVE DATE
1.0	18000-L3A-000	EXH. MUFFLER ASSY(CATALYST)	1	
2.0	18291-H9A-000	EXHAUST PIPE GASKET	1	
3.0	18292-F3E-000	PROTECTOR PACKING A	6	
4.0	18293-F3E-000	PROTECTOR PACKING	3	
5.0	18295-A1A-000	COLLAR M6	3	
6.0	18295-F3E-000	COLLAR M6	3	
7.0	18318-L3A-300	MUFFLER PROTECTOR	1	
8.0	18319-L3A-300	MUFFLER GASKET	1	
9.0	18320-L3A-300	EXH.PIPE COMP	1	
10.0	18321-L1A-000	PROTECTOR RUBBER	3	
11.0	18321-L3A-000	MUFFLER BAND 40.1MM	1	
12.0	18324-L3A-000	OUTER TAIL CAP COMP	1	
13.0	18328-L3A-000	MUFFLER REAR PROTECTOR	1	
14.0	37890-A5L-000	O2 SENSOR	1	
15.0	90001-L3A-000	FLANGE BOLT M10X60	1	
16.0	90002-L3A-000	FLANGE BOLT M10X50	2	
17.0	90043-HMA-000	CAP NUT	2	
18.0	90116-L4A-000	SPECIAL BOLT M6*22	6	
19.0	94101-06700	PLAIN WASHER 6MM	6	
20.0	94111-06700	SPRING WASHER 6MM	6	
21.0	95801-08040-07	FLANGE BOLT M8X40	1	

F30  
AIRCLEANER ASSY

LN30W5-EU (GTS 300I ABS)



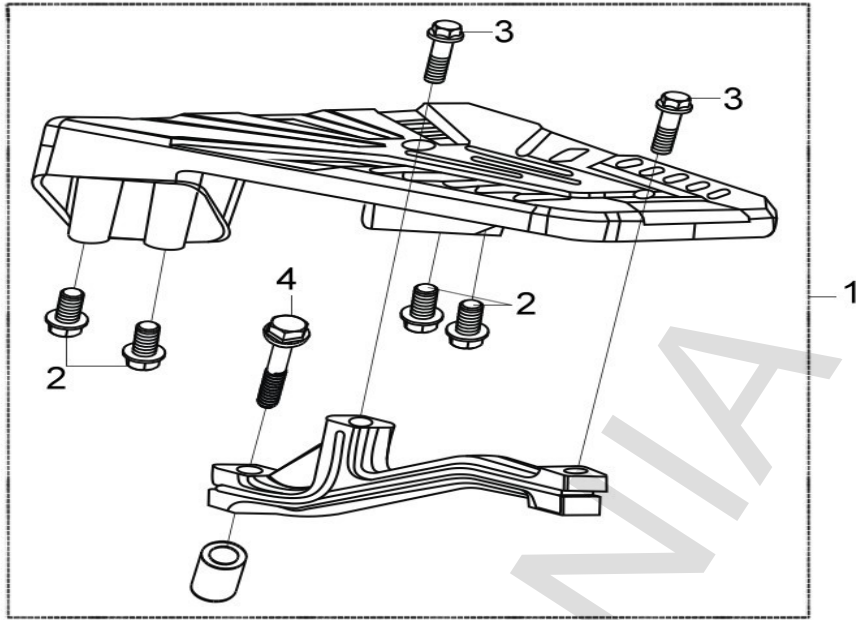
Pictures reference only

NO	PARTS NUMBER	DESCRIPTION	QTY	EFFECTIVE DATE
1.0	17200-L3A-000	AIR/C ASSY	1	
2.0	17208-L3A-000	AIR/C SET COLLAR	2	
3.0	17211-HMA-000	AIR/C ELEMENT COMP	1	
4.0	17214-HMA-000	AIR/C COVER SEAL	1	
5.0	17230-L3A-000	AIR/C CASE COMP	1	
6.0	17231-L3A-000	AIR/C COVER	1	
7.0	17234-M51-000	AIR CLEANER DRAIN TUBE	1	
8.0	17253-L3A-000	AIR/C CONNECTING TUBE	1	
9.0	17255-HMA-000	AIR/C INLET DUCT	1	
10.0	17257-HMA-000	AIR/C DUCT A	1	
11.0	17258-H9A-000	AIR/C CASE DUCT B	1	
12.0	17359-M9Q-000	BREATHER TUBE JOINT	1	
13.0	18362-HMA-000	BAND SILENCR SEAL	1	
14.0	18362-KA4-700	BAND SILENCR SEAL	1	
15.0	37830-HMC-000	AIR TEMP SENSOR	1	
16.0	90652-HMA-000	AIR/C CONN.TUBE BAND 48	1	
17.0	90677-GR1-003	CLIP NUT 5X0.8	2	
18.0	93404-06040-07	WASHER BOLT 6X40	2	
19.0	93891-05016-07	WASHER SCREW 5X16	2	
20.0	93903-25480	TAPPING SCREW 5X20	14	
21.0	95002-80000	TUBE CLIP C12	2	

F31  
TRUNK BOX BRACKET ASSY

LN30W5-EU (GTS 300I ABS)

FR.



Pictures reference only

NO	PARTS NUMBER	DESCRIPTION	QTY	EFFECTIVE DATE
1.0	8131A-L3A-610	TRUNK BOX BRACKET ASSY	1	
2.0	93406-08025-07	WASHER BOLT 8X25	4	
3.0	93406-08028-00	WASHER BOLT 8X28	2	
4.0	95801-08060-07	FLANGE BOLT 8X60	1	



PARTS NO.	NO.	PARTS NO.	NO.	PARTS NO.	NO.
06414-LEF-000	E04	1236A-V02-000	E10	1621A-HMC-000	E04
06415-HNS-000	E04	12391-HMA-000	E01	16401-L3A-000	E04
06416-HNS-000	E04	13000-L3A-000	E08	1670A-HWA-000	F23
11100-L3A-000	E09	13010-L3A-000	E07	16730-L3A-000	F23
11102-H9A-300	F28	13101-L3A-000	E07	1711A-LEF-900	E04
11102-HMA-300	E17	13111-HMA-000	E08	17120-LEF-000	E04
11102-HMA-300	E09	13201-L3A-000	E08	17200-L3A-000	F30
11107-HMA-000	E09	13371-HMA-300	E08	17208-L3A-000	F30
11120-LEA-000	E17	13381-HMA-300	E08	17211-HMA-000	F30
11120-LEA-000	E09	14100-RFB-000	E05	17214-HMA-000	F30
11133-A1A-300	E17	14105-RFA-000	E05	17221-LEA-000	E18
11191-L3A-000	E09	14105-X01-000	E05	17230-L3A-000	F30
11200-L3A-000	E17	14108-M36-000	E05	17231-L3A-000	F30
11203-GC7-300	F11	14151-RFA-000	E09	17234-M51-000	F30
11203-GC7-300	E17	1443A-LEA-000	E02	17236-FWA-000	F22
11205-L3E-000	E17	1444A-LEA-000	E02	17253-L3A-000	F30
11211-L3A-000	E20	14451-HMA-000	E02	17255-HMA-000	F30
1122A-HMA-000	E13	14457-HMA-000	E05	17257-HMA-000	F30
11330-L3A-000	E10	14510-RFA-000	E05	17258-H9A-000	F30
11344-HMA-000	E18	14520-H6T-000	E07	17359-M9Q-000	F30
11346-HMA-000	E18	14522-H6T-000	E07	17370-M9Q-000	E20
1134A-L3A-000	E18	14523-M9Q-000	E07	17371-M9Q-000	E20
11351-L3A-000-GYK	E18	14524-H6T-000	E07	17380-H6A-000	E20
11352-HMA-000	E18	14525-H6T-000	E07	17385-H6A-000	E20
11354-H3A-000	E18	14531-KJ9-000	E05	1738A-L3A-000	E20
11356-H3A-000	E18	14610-RFA-000	E05	17500-L3A-010	F23
1135A-L3A-000-GYK	E18	14711-HMA-000	E02	17508-L3A-000	F23
1137A-HMA-000	E18	14721-RFS-000	E02	17512-L3A-010	F23
11394-HMA-000	E10	14751-HMA-000	E02	17562-L2A-000	E20
11395-L3A-000	E18	14761-HMA-000	E02	17570-HMC-000	E19
11832-L3A-000	E10	14771-GB4-680	E02	17571-L3A-000	E19
12100-L3A-000-A	E07	14777-KN7-670	E02	17574-L2A-000	E19
12100-RFA-000	E07	14781-M9Q-000-A	E02	17576-L2A-010	E19
12191-RFA-000	E07	15100-HMA-000	E16	1757A-L3A-000	E19
12200-L3A-010	E03	15126-B8A-000	E16	17580-L3A-010	F23
12209-H6B-900	E02	15132-HMA-000	E16	17581-HMA-000	F23
12251-RFA-000	E07	15133-HMA-000	E16	17585-L3A-010	F23
12301-HMA-000	E01	15421-B9D-000	E10	17590-HMC-000	E19
1231A-L3A-000	E06	15426-GE1-920	E10	17591-HMC-000	E19
12342-G02-000	E07	1565A-LEA-000	E10	17592-HMC-000	E19
12342-X01-000	E06	15711-HML-000	E16	17620-L4A-000	F25
12342-X01-000	E03	15713-HMC-010	E15	17910-L3A-000	F05
12342-X01-000	E01	15772-500-013	E20	17920-L3A-000	F05
12342-X01-000	E10	1614-906-0002	E04	18000-L3A-000	F29
12363-L2E-010	E01	16201-HMC-000	E04	18241-L3A-000	E10



PARTS NO.	NO.	PARTS NO.	NO.	PARTS NO.	NO.
18291-H9A-000	F29	1951A-HMA-010	E03	3043A-REA-000	F28
18292-F3E-000	F29	19604-H01-000	E14	3051A-L3A-000	F25
18293-F3E-000	F29	1B01L3A01	E11	31110-L3A-000	E15
18295-A1A-000	F29	1C14401-RFA-000	E05	31120-L3A-000	E15
18295-F3E-000	F29	1C15141-HMA-000	E16	31200-L3D-000	E09
18318-L3A-300	F29	1PCR8E-3	E03	31600-L4A-000	F25
18319-L3A-300	F29	1T011207014-MAPRO	F08	32100-L3G-000	F24
18320-L3A-300	F29	1T011406013-MAPRO	F12	32160-A3A-900	F04
18321-L1A-000	F29	1Y01BAA01-Y	F25	32160-A3A-900	F05
18321-L3A-000	F29	21200-L3A-000	E13	32162-H6T-000	F23
18324-L3A-000	F29	21395-L3A-000	E13	32412-L3A-000	F24
18328-L3A-000	F29	22000-RB1-000	E11	32415-LEA-000	F24
18362-HMA-000	F30	22101-HMA-000	E12	33102-L3A-004	F01
18362-KA4-700	F30	22102-HMA-000	E11	33106-L3A-000	F01
18533-M7Q-000	E19	22105-HMA-000	E11	3310A-L3A-004	F01
18610-L2E-000	E01	22110-HMA-000	E11	3311A-L3A-000	F01
18647-HMA-000	E01	22121-RB1-001-A	E11	33124-FFA-000	F01
18654-N14-000	E01	22131-HMA-000	E11	33139-L3A-000	F01
18659-L2A-000	E19	22132-HMA-000-A	E11	33152-L3A-004	F01
18811-N14-000	E19	22300-L3D-000	E12	33156-L3A-000	F01
19005-HMA-000	F22	22350-HMA-000	E12	33180-L3A-000	F01
19010-L3A-000	F22	22361-HMA-000	E12	33181-L3A-000	F01
19039-LVA-000	F22	22401-HMA-000	E12	33310-L3A-000	F01
19104-M9Q-000	F22	22530-L3D-000-A	E12	33315-L3A-000	F01
19109-L3A-000	F22	22804-HMA-000	E12	33320-L3A-000	F01
1910A-L3A-000	F22	23010-L3D-000	E12	33400-L3A-000	F04
19111-H9A-000	F22	23200-L3A-000	E12	33450-L3A-000	F04
19125-L3A-000	F22	23210-L3A-000	E12	33700-L3A-000	F18
19126-L3A-000	F22	23220-HMA-000	E12	33703-L3A-000	F18
19215-HLA-000	E10	23225-HMA-000	E12	33704-L3A-000	F18
19217-H9A-300	E10	23226-HMA-000	E12	33740-LEA-010	F19
19229-H9A-000	E14	23233-HMA-000	E12	33741-M9A-100	F19
1922A-LEA-000	E14	23237-L4A-000	E12	33800-VS1-010	F28
19231-HMA-000	E10	23238-L3A-000	E12	34901-HE1-000	F01
19300-HMA-000	E03	23411-LEA-000	E13	34905-RCA-000	F18
19315-L3A-010	E03	23421-L3A-300	E13	34906-RA1-000	F18
19501-L3A-000	F22	23422-HMA-300	E13	35010-L3A-000	F25
19502-L3A-000	E03	23431-L3A-000	E13	35100-L4A-000	F25
19505-H5D-000	F23	23432-L3A-000	E13	35110-L4A-000	F25
19505-KS6-700	E14	28101-RB1-000	E09	35111-L4A-000-B01	F25
19505-L3A-000	F22	28102-RB1-000	E09	35150-HM1-000	F05
19505-REA-000	E03	28103-RB1-000	E09	35200-L3D-000	F05
19505-REA-000	F22	28105-HMA-300	E09	35340-KBN-900	F06
19509-HWA-000	F22	28110-HMA-000	E15	35345-L3A-000	F16
1950A-LEA-000	E14	2812A-HMA-000	E15	35350-KBN-900	F07

PARTS NO.	NO.	PARTS NO.	NO.	PARTS NO.	NO.
35360-L3A-000	F14	43502-HMA-000	F07	5071B-F6B-000-IE	F27
35370-M9P-000	F15	44301-L3A-000	F09	50757-L3A-000	F16
35859-M9Q-000	F25	44311-L3A-000	F09	51400-L3A-000	F09
3585A-L3A-000	F25	44601-L3A-000	F08	51500-L3A-000	F09
35880-HMB-000	F25	44620-L3A-000	F08	5210A-L3A-000-IL	F11
35881-L3A-000	F28	44720-H9A-000	F08	52400-L3A-000-KB	F12
36100-MMA-100	F28	44720-H9A-000	F12	53100-L3A-000	F05
36500-HMA-000	F25	44870-L4C-000	F09	53104-N02-000	F05
36600-A1A-200	F15	44870-L4C-000	F11	53106-N02-000	F05
3700-A35B-0100	E04	44871-L4C-000	F11	53108-N02-000	F05
37200-L3E-000	F03	44910-L4C-000	F11	53125-M9Q-000	F05
37211-L3A-000	F03	45100-HMA-000	F06	53140-L4A-000	F05
37215-L3A-000	F03	45105-HMA-000-A	F06	53166-L4A-000	F05
37750-PC1-004	E03	45120-L3A-000	F08	53175-HMA-000	F06
37760-HMA-000	F22	45121-L3A-900	F08	53178-HMA-000	F07
37800-L3A-010	F23	45126-L3E-000-A1	F06	53200-L3E-000	F09
37801-A5L-000	F23	45127-L3E-000-A1	F06	53204-L3A-000-IL	F04
37804-LEA-000	F23	45156-HMA-000	F11	53204-L3A-000-KX	F04
37830-HMC-000	F30	45156-HMA-000	F28	53204-L3A-000-OQ	F04
37880-HMC-000	E03	45500-L3E-000	F06	53204-L3A-000-QU	F04
37890-A5L-000	F29	45517-TFA-000	F07	53205-L3A-000-KA	F04
38110-L3A-000	F25	45517-TFA-000	F06	53206-HMA-900	F05
3850A-HLA-100	F28	5010N-L3E-000	F28	53207-HMA-900	F05
38600-L4A-000	F13	50300-L4A-000	F09	53208-L3A-000-KA	F03
38700-L4A-900	F25	50301-HMA-000	F09	5320G-L3A-000-IL	F03
38701-L3A-000	F25	50306-M9Q-000	F09	53211-HMA-000	F09
38710-L3D-000	F25	50308-HMA-000	F09	53214-L4A-000	F09
3872A-L3D-000	F28	50315-L3A-000	F28	53215-HMA-000	F09
38730-L3E-000	F06	50324-L3A-000	F25	53216-L1A-000	F03
38731-L3E-000	F06	50326-L3A-000-IL	F13	53220-HMA-000	F09
38800-H5B-000	F25	50350-L3A-000	F26	61100-L3A-000-IL5	F10
40545-L1G-000	F13	50352-L3A-000	F28	61100-L3A-000-KX2	F10
42311-H9A-000	F11	50353-HHA-000	F26	61100-L3A-000-OQ3	F10
42311-H9A-900	F11	50357-HMA-000	F26	61100-L3A-000-QU1	F10
42601-L3E-000-KB	F12	50380-L3A-000	F28	61105-RCA-000	F05
42753-KJ9-000	F08	50381-L3A-000	F28	61312-149-300	F03
42753-KJ9-000	F12	50505-H3A-000	F26	64300-L3A-001-IL	F02
43100-L3A-000-SH	F07	50506-H3A-000	F26	64301-L3A-000-IL	F02
43108-L3A-000-A	F07	5050A-L3A-900	F26	64301-L3A-000-KX	F02
43120-L3E-000	F12	50512-H6B-000	F26	64301-L3A-000-OQ	F02
43121-L3A-900	F12	5052A-L3A-010	F26	64301-L3A-000-QU	F02
43311-L3E-000-A1	F07	50530-HMA-100	F27	64303-L3A-000	F02
43312-L3E-000-A1	F07	5053A-HMA-000	F27	64304-L3A-000-IL	F02
43500-L3E-000	F07	50611-HMA-000	F14	64304-L3A-000-KX	F02
43502-HMA-000	F06	5071A-F6B-000-IE	F27	64304-L3A-000-OQ	F02

PARTS NO.	NO.	PARTS NO.	NO.	PARTS NO.	NO.
64304-L3A-000-QU	F02	80106-L3A-000-KA	F19	87553-L4A-000	F03
64304-X01-000	F02	81131-L3A-000-KA	F13	87553-VS1-100	F04
64304-X01-000	F03	81132-L3A-000-KA	F14	88110-L3A-008-IL	F04
64305-L3A-000-IL	F02	81134-L3A-000	F14	88110-L3A-008-KX	F04
64305-L3A-000-KX	F02	81141-L3A-000-IL	F13	88110-L3A-008-OQ	F04
64305-L3A-000-OQ	F02	81142-L3A-000	F13	88110-L3A-008-QU	F04
64305-L3A-000-QU	F02	81143-L3A-000	F13	88111-L3A-000	F04
64306-L3A-000	F02	81149-L4A-000	F13	88112-L3A-000	F04
64308-L3A-000	F01	81152-L3A-000-KA	F13	8811A-L3A-007-IL	F04
64310-L3A-010-KA	F20	81153-HMA-100	F20	8811A-L3A-007-KX	F04
64311-L3A-010-KA	F20	8115A-L3A-000	F13	8811A-L3A-007-OQ	F04
64313-F3C-000-KA	F20	8116A-L3A-000	F13	8811A-L3A-007-QU	F04
64313-L3A-000-IL	F21	81200-L3A-000-IL	F17	88120-L3A-008-IL	F04
64314-L3A-000-IL	F21	81210-L3A-000-IL	F17	88120-L3A-008-KX	F04
64315-L3A-000	F20	8125A-L3A-010-KA	F15	88120-L3A-008-OQ	F04
64316-L3A-000	F20	8125B-L3A-000	F15	88120-L3A-008-QU	F04
64317-L3A-000	F20	8131A-L3A-610	F31	88121-L3A-000	F04
64318-L3A-000	F20	83500-L3A-000-IL	F18	88122-L3A-000	F04
64320-L4A-000	F20	83500-L3A-000-KX	F18	8812A-L3A-007-IL	F04
64321-L3A-000-KA	F21	83500-L3A-000-OQ	F18	8812A-L3A-007-KX	F04
64322-L3A-000-KA	F21	83500-L3A-000-QU	F18	8812A-L3A-007-OQ	F04
64323-L3A-000-KA	F13	83501-L4C-000	F18	8812A-L3A-007-QU	F04
64324-L3A-000-KA	F13	83521-L4C-000	F03	89010-M92-000	F24
67101-L3A-000	F03	8352G-L3A-000-IL	F21	90001-L3A-000	F29
6710A-L3A-000-IL	F03	8352G-L3A-000-KX	F21	90001-RFS-000	E07
74480-L3A-000	F16	8352G-L3A-000-OQ	F21	90002-HMA-000	E01
74481-HMA-100	F15	8352G-L3A-000-QU	F21	90002-L3A-000	F29
77101-L3A-000	F16	83600-L3A-000-IL	F18	90003-L3A-000	E10
77111-L3A-000	F16	83600-L3A-000-KX	F18	90012-HLK-000	E02
77112-L3A-000	F16	83600-L3A-000-OQ	F18	90031-HMA-000	E09
77115-L3A-000	F15	83600-L3A-000-QU	F18	90032-HMA-000	E17
77200-L3A-000	F16	83619-L2A-000	F13	90034-HMA-000	E03
77202-HMA-100	F16	83619-L3A-000	F28	90043-HMA-000	F29
77203-HMA-900	F16	8362G-L3A-000-IL	F21	90084-H9A-000	E10
77230-L3A-000	F28	8362G-L3A-000-KX	F21	90085-HHA-900	F25
77240-L3A-010	F25	8362G-L3A-000-OQ	F21	9008A-H9A-000	E10
77241-L3A-000	F28	8362G-L3A-000-QU	F21	90103-KN8-000	E17
77300-L3A-000	F16	83650-L3A-000	F15	90104-H5K-000	F06
77400-L3A-000-KA	F17	87121-A5W-000-T2	F21	90104-L2A-000	F07
80100-L3A-000-KA	F19	87121-A5W-000-T3	F21	90105-B9D-000	F12
80103-HMA-000	F28	87125-L3N-010	F02	90105-H7A-010	F17
80103-X01-000	F06	87126-L3A-000	F18	90105-KR3-000	F12
80104-HMA-000	F15	87127-L3A-000	F18	90105-L3A-000	F08
80104-X01-000	F06	87129-HML-000	F18	90106-LEA-000	F23
80105-L3A-000	F19	87505-L3A-000	F15	90106-M9Q-000	F05

PARTS NO.	NO.	PARTS NO.	NO.	PARTS NO.	NO.
90107-L3A-000	F26	90401-HMA-000	E13	91305-HMA-000	E12
90108-HMA-000	F27	90401-KJ9-000	E15	91307-035-000	E10
90110-FYA-000	F24	90401-KJ9-000	E11	91308-HMA-000	E04
90111-GJ5-000	F23	90401-KJ9-000	E12	92101-06016-0H	E05
90111-HKD-000	F20	90423-KJ9-000	E10	92101-06016-0H	E04
90111-HKD-000	F13	90442-HMA-000	E03	92800-12000	E17
90111-L2A-000	F19	90474-M9Q-000	E17	92900-06028-0B	E03
90111-M9Q-800	F14	90478-700-000	E14	93401-06014-07	F20
90111-M9Q-800	F15	90481-M9Q-100	E17	93404-06012-07	F19
90111-M9Q-800	F22	90545-M9Q-000	F07	93404-06012-07	F02
90111-M9Q-900	F13	90545-M9Q-000	F06	93404-06012-07	F23
90111-N01-000	F25	90601-HMA-000	E08	93404-06016-07	F25
90112-L3A-000	F03	90602-HMA-000	E12	93404-06020-08	F22
90112-M9Q-000	F25	90652-HMA-000	F30	93404-06035-07	F02
90116-L2A-000	F03	90653-HMA-000	E04	93404-06040-07	F30
90116-L3A-000	F03	90677-GR1-003	F19	93404-08014-07	F06
90116-L4A-000	F29	90677-GR1-003	F21	93406-08020-07	F17
90118-N02-000	F05	90677-GR1-003	F15	93406-08025-07	F31
90145-M9Q-000	F07	90677-GR1-003	F18	93406-08028-00	F31
90145-M9Q-000	F06	90677-GR1-003	F30	93500-03008-1A	E16
90157-F3G-000	E15	90682-V02-900	E20	93500-05016-0A	E15
90164-M9Q-000	F10	90701-HB6-010	E08	93500-05025-0G	F05
90201-KR8-751-M1	E15	90703-M8Q-000	E13	93500-06025-0H	E16
90201-KR8-751-M1	E11	90754-LEA-000	F08	93891-04008-08	F14
90201-KR8-751-M1	E12	90912-LEA-000	F08	93891-05008-08	F25
90202-HMA-000	E12	91001-HMA-000	E08	93891-05012-07	F05
90206-HLK-000	E02	91001-KJ9-005	E10	93891-05016-07	F21
90301-GE0-000	F15	91002-HWA-000-M1	E13	93891-05016-07	E19
90302-M92-000	F02	91003-LEA-000	E08	93891-05016-07	F30
90302-M92-000	F04	91006-HMA-300	E12	93891-05035-07	F21
90304-M9Q-000	F26	91007-HMA-300	E12	93891-05035-07	F20
90304-M9Q-800	F28	91009-HMC-000	E13	93891-06050-07	F09
90304-M9Q-800	F05	91101-HMA-000	E16	93892-05012-08	F25
90304-M9Q-900	F16	91103-A3F-000	E16	93894-04022-08	F28
90304-M9Q-900	F15	91201-HMA-300	E08	93894-05016-07	F19
90305-M9Q-900	F10	91202-HMA-000	E15	93901-35380	F19
90305-M9Q-900	F11	91203-HMA-000	E13	93903-24380	F05
90306-BAA-000	F16	91204-HMA-000	E13	93903-25480	F30
90306-M9Q-000	F26	91205-KF0-003	E10	93903-34320	F14
90308-X04-000	F21	91211-HMA-000	E12	93903-34320	F02
90308-X04-000	F20	91255-L3A-000	F09	93903-34320	F20
90308-X04-000	F18	91256-L3A-000	F09	93903-34320	F04
90308-X04-000	F03	91301-HMA-000	E06	93903-34320	F13
90308-X04-000	F23	91302-M9Q-000	E10	93903-34380	F13
90308-X04-000	F13	91303-377-000	E10	93903-35120	F04

PARTS NO.	NO.	PARTS NO.	NO.	PARTS NO.	NO.
93903-35280	F03	95002-02080	F23	96001-06025-00	E18
93903-35280	F13	95002-40800-08	F22	96001-06030-00	E15
93903-35320	F19	95002-50000	F23	96001-06032-00	E14
93903-35320	F18	95002-80000	E20	96001-06045-00	E10
93903-35320	F01	95002-80000	F30	96001-06050-00	E17
93903-35320	F03	95003-23022-60	E20	96001-06055-00	E09
93903-35380	F02	95701-10012-08	E17	96001-06070-00	E17
93903-35380	F13	95801-06012-07	F24	96001-06090-00	E03
93903-44380	F13	95801-06012-07	F16	96100-60000-00	E10
93903-45280	F14	95801-06012-08	F11	96100-62050-10	E13
93903-45280	F03	95801-06012-08	F22	96100-62070-10	E08
93903-45280	F13	95801-06012-08	F28	96100-63020-00	E13
93903-45280	F25	95801-06016-07	F11	96140-62013-10	E15
93903-45380	F21	95801-06016-08	F22	96150-60060-10	E18
93903-45380	F20	95801-06016-08	F25	96150-62050-10	E13
93903-45380	F18	95801-06020-07	F06	96150-63033-10	F11
93903-HGC-000	F23	95801-06022-07	F07	96700-08020-00	F09
94030-08080	F27	95801-06022-07	F06		
94050-05080	F19	95801-06040-07	F27		
94050-06000	E04	95801-06090-07	F16		
94050-06080	F16	95801-08012-08	F25		
94050-06080	F28	95801-08018-07	F28		
94050-06080	F25	95801-08035-07	F12		
94050-10080	E03	95801-08040-07	F29		
94101-06700	F29	95801-08050-08	E17		
94101-08800	F16	95801-08060-07	F31		
94102-08800	F26	95801-08060-07	F06		
94103-L2A-000	F28	95801-10040-08	F12		
94103-L3A-000	F28	95801-10040-08	F09		
94109-12000	E17	95801-10075-07	F11		
94111-06700	F29	95801-12095-07	F26		
94201-25200	F26	96001-06010-00	E14		
94251-08400	F16	96001-06012-00	E18		
94301-08140	E14	96001-06012-00	F09		
94301-08140	E15	96001-06012-08	E16		
94301-08140	E09	96001-06012-08	E09		
94301-12200	E07	96001-06014-00	E01		
94510-10000	E16	96001-06014-00	E05		
94510-20000	E17	96001-06016-00	E01		
94510-30000	E13	96001-06016-00	E03		
94520-26000	E10	96001-06016-00	E17		
94520-32000	E10	96001-06018-00	E06		
94524-47000	F11	96001-06018-07	E18		
94540-08010	E12	96001-06022-00	E14		
95002-02080	F22	96001-06022-00	E09		

**PART RESUME**

ITEM	PAGE	ORIGINAL	REVISED	EFFECTIVE DATE	REVISED DATE	DETAILS	D.M NO.
		PART NUMBER/DESC/QTY	PART NUMBER/DESC/QTY				
1	F02		64300-L3A-001-IL	2013/12/09	2013/12/09	NEW COLOR	
			FR. UNDER SPOILER(GY-745)				
			1				
2	F02		64301-L3A-000-OQ	2013/12/09	2013/12/09	NEW COLOR	
			FR COVER(S-7S)				
			1				
3	F02		64304-L3A-000-OQ	2013/12/09	2013/12/09	NEW COLOR	
			R. SIDE SPOILER(S-7S)				
			1				
4	F02		64305-L3A-000-OQ	2013/12/09	2013/12/09	NEW COLOR	
			L. SIDE SPOILER(S-7S)				
			1				
5	F03		53208-L3A-000-KA	2013/12/09	2013/12/09	NEW COLOR	
			METER PANEL(BK-001U)				
			1				
6	F03		5320G-L3A-000-IL	2013/12/09	2013/12/09	NEW COLOR	
			METER VISOR SUB ASSY(GY-				
			1				
7	F03		6710A-L3A-000-IL	2013/12/09	2013/12/09	NEW COLOR	
			WIND SCREEN SET(GY-7450)				
			1				
8	F03		83521-L4C-000	2013/12/09	2013/12/09	NEW COLOR	
			SYM MARK				
			1				
9	F03		87553-L4A-000	2013/12/09	2013/12/09	NEW COLOR	
			S LOGO EMBLEM				
			1				
10	F04		53204-L3A-000-OQ	2013/12/09	2013/12/09	NEW COLOR	
			UP HANDLE COVER A(S-7S)				
			1				
11	F04		53205-L3A-000-KA	2013/12/09	2013/12/09	NEW COLOR	
			UP HANDLE COVER B(BK-00				
			1				
12	F04		88110-L3A-008-OQ	2013/12/09	2013/12/09	NEW COLOR	
			R. BACK MIRROR COMP-WIT				
			1				
13	F04		8811A-L3A-007-OQ	2013/12/09	2013/12/09	NEW COLOR	
			R. BACK MIRROR SET(S-7S)				
			1				

**PART RESUME**

ITEM	PAGE	ORIGINAL	REVISED	EFFECTIVE DATE	REVISED DATE	DETAILS	D.M NO.
		PART NUMBER/DESC/QTY	PART NUMBER/DESC/QTY				
14	F04		88120-L3A-008-OQ	2013/12/09	2013/12/09	NEW COLOR	
			L. BACK MIRROR COMP-WIT				
			1				
15	F04		8812A-L3A-007-OQ	2013/12/09	2013/12/09	NEW COLOR	
			L. BACK MIRROR SET(S-7S)				
			1				
16	F05		53140-L4A-000	2013/12/09	2013/12/09	NEW COLOR	
			THROT GRIP COMP BK-001U				
			1				
17	F05		53166-L4A-000	2013/12/09	2013/12/09	NEW COLOR	
			L HANDLE GRIP BK-001U				
			1				
18	F06		45100-HMA-000	2013/12/09	2013/12/09	NEW COLOR	
			FR.CALIPER ASSY S-877C				
			1				
19	F07		43100-L3A-000-SH	2013/12/09	2013/12/09	NEW COLOR	
			RR.CALIPER ASSY.(S-877C)				
			1				
20	F08		44601-L3A-000	2013/12/09	2013/12/09	NEW COLOR	
			FR. CAST WHEEL COMP(BK-0				
			1				
21	F09		51400-L3A-000	2013/12/09	2013/12/09	NEW COLOR	
			R. CUSHION ASSY				
			1				
22	F09		51500-L3A-000	2013/12/09	2013/12/09	NEW COLOR	
			L. CUSHION ASSY				
			1				
23	F10		61100-L3A-000-OQ3	2013/12/09	2013/12/09	NEW COLOR	
			FR. FENDER(S-7S/GY-7450U)				
			1				
24	F11		5210A-L3A-000-IL	2013/12/09	2013/12/09	NEW COLOR	
			RR. FORK ASSY(GY-7450U)				
			1				
25	F12		42601-L3E-000-KB	2013/12/09	2013/12/09	NEW COLOR	
			RR. CAST WHEEL COMP(BK-0				
			1				
26	F12		52400-L3A-000-KB	2013/12/09	2013/12/09	NEW COLOR	
			RR. CUSHION ASSY(BK-001C				
			2				



**PART RESUME**

ITEM	PAGE	ORIGINAL	REVISED	EFFECTIVE DATE	REVISED DATE	DETAILS	D.M NO.
		PART NUMBER/DESC/QTY	PART NUMBER/DESC/QTY				
27	F13		50326-L3A-000-IL	2013/12/09	2013/12/09	NEW COLOR	
			BATTERY COVER(GY-7450U)				
			1				
28	F13		64323-L3A-000-KA	2013/12/09	2013/12/09	NEW COLOR	
			R. FLOOR MAT B(BK-001U)				
			1				
29	F13		64324-L3A-000-KA	2013/12/09	2013/12/09	NEW COLOR	
			L. FLOOR MAT B(BK-001U)				
			1				
30	F13		81131-L3A-000-KA	2013/12/09	2013/12/09	NEW COLOR	
			INNER BOX(BK-001U)				
			1				
31	F13		81141-L3A-000-IL	2013/12/09	2013/12/09	NEW COLOR	
			INNER BOX LID(GY-7450U)				
			1				
32	F13		81152-L3A-000-KA	2013/12/09	2013/12/09	NEW COLOR	
			AIR DUCT COVER(BK-001U)				
			1				
33	F14		81132-L3A-000-KA	2013/12/09	2013/12/09	NEW COLOR	
			MAIN SW. COVER(BK-001U)				
			1				
34	F15		8125A-L3A-010-KA	2013/12/09	2013/12/09	NEW COLOR	
			LUGGAGE BOX ASSY(BK-001				
			1				
35	F17		77400-L3A-000-KA	2013/12/09	2013/12/09	NEW COLOR	
			RR. BACK SEAT ASSY(BK-001				
			1				
36	F17		81200-L3A-000-IL	2013/12/09	2013/12/09	NEW COLOR	
			R. RR. CARRIER(GY-7450U)				
			1				
37	F17		81210-L3A-000-IL	2013/12/09	2013/12/09	NEW COLOR	
			L. RR. CARRIER(GY-7450U)				
			1				
38	F18		83500-L3A-000-OQ	2013/12/09	2013/12/09	NEW COLOR	
			R. BODY COVER(S-7S)				
			1				
39	F18		83501-L4C-000	2013/12/09	2013/12/09	NEW COLOR	
			ABS EMBLEM				
			2				

**PART RESUME**

ITEM	PAGE	ORIGINAL	REVISED	EFFECTIVE DATE	REVISED DATE	DETAILS	D.M NO.
		PART NUMBER/DESC/QTY	PART NUMBER/DESC/QTY				
40	F18		83600-L3A-000-OQ	2013/12/09	2013/12/09	NEW COLOR	
			L. BODY COVER(S-7S)				
			1				
41	F18		87126-L3A-000	2013/12/09	2013/12/09	NEW COLOR	
			R. BODY COVER EMBLEM				
			1				
42	F18		87127-L3A-000	2013/12/09	2013/12/09	NEW COLOR	
			L. BODY COVER EMBLEM				
			1				
43	F18		87129-HML-000	2013/12/09	2013/12/09	NEW COLOR	
			i MARK				
			2				
44	F19		80100-L3A-000-KA	2013/12/09	2013/12/09	NEW COLOR	
			RR. FENDER(BK-001U)				
			1				
45	F19		80106-L3A-000-KA	2013/12/09	2013/12/09	NEW COLOR	
			RR. MUDGUARD(BK-001U)				
			1				
46	F20		64310-L3A-010-KA	2013/12/09	2013/12/09	NEW COLOR	
			FLOOR PANEL(BK-001U)				
			1				
47	F20		64311-L3A-010-KA	2013/12/09	2013/12/09	NEW COLOR	
			FUEL CAP LID(BK-001U)				
			1				
48	F20		64313-F3C-000-KA	2013/12/09	2013/12/09	NEW COLOR	
			FRAME NUMBER LID(BK-001U)				
			1				
49	F21		64313-L3A-000-IL	2013/12/09	2013/12/09	NEW COLOR	
			R. FLOOR GARNISH(GY-7450)				
			1				
50	F21		64314-L3A-000-IL	2013/12/09	2013/12/09	NEW COLOR	
			L. FLOOR GARNISH(GY-7450)				
			1				
51	F21		64321-L3A-000-KA	2013/12/09	2013/12/09	NEW COLOR	
			R. FLOOR MAT A(BK-001U)				
			1				
52	F21		64322-L3A-000-KA	2013/12/09	2013/12/09	NEW COLOR	
			L. FLOOR MAT A(BK-001U)				
			1				

