

COLOR & STRIPE SET FOR MAXSYM 400 EFI



Pictures reference only

NO	MODEL		BLACK		GARY		BLUE		WHITE	
	BASIC COLOR		BK		GY		BL		W	
	CODE		BK-231S		GY-517S		BU-535S		WH-300P	
Item	Parts Number	Description	Basic Color	Code	Basic Color	Code	Basic Color	Code	Basic Color	Code
1	42601-L4C-000	RR. CAST WHEEL.	BK-001C	KB	BK-001C	KB	BK-001C	KB	BK-001C	KB
2	43100-L4A-000	RR.CALIPER ASSY	GD-7403S	DM	GD-7403S	DM	GD-7403S	DM	GD-7403S	DM
3	43121-L4A-000	RR.BRAKE DISK	BK-001C	KB	BK-001C	KB	BK-001C	KB	BK-001C	KB
4	44601-L4A-000	FR.CAST WHEEL COMP	BK-001C	KB	BK-001C	KB	BK-001C	KB	BK-001C	KB
5	45100-L4C-000	RH.FR.CALIPER ASSY	GD-7403S	DM	GD-7403S	DM	GD-7403S	DM	GD-7403S	DM
6	45121-L4A-000	R FRONT BRAKE DISK	BK-001C	KB	BK-001C	KB	BK-001C	KB	BK-001C	KB
7	45122-L4A-000	L FRONT BRAKE DISK	BK-001C	KB	BK-001C	KB	BK-001C	KB	BK-001C	KB
8	51400-L4A-000	RH.FR.CUSHION COMP	BK-001C	KB	BK-001C	KB	BK-001C	KB	BK-001C	KB
9	51500-L4A-000	LH.FR.CUSHION COMP	BK-001C	KB	BK-001C	KB	BK-001C	KB	BK-001C	KB
10	52400-L4A-000	RR. CUSHION ASSY	BK-001C	KB	BK-001C	KB	BK-001C	KB	BK-001C	KB
11	5311A-L4A-000	UPPER HANDLE COVER ASSY	BK-231P	KX	GY-517S	IP	BU-535S	BE	WH-300P	QU
11-1	87553-VS1-100	FR.COVER LID EMBLEM		●		●		●		●
12	5312A-L4A-000	LOWER R HANDLE COVER ASSY	BK-001U	●	BK-001U	●	BK-001U	●	BK-001U	●
13	5312B-L4A-000	LOWER L HANDLE COVER ASSY	BK-001U	●	BK-001U	●	BK-001U	●	BK-001U	●
14	53208-L4A-000	METER PANEL	BK-001U	KA	BK-001U	KA	BK-001U	KA	BK-001U	KA
15	5320G-L4A-000	FR. UP COVER ASSY	BK-231P	KX	GY-517S	IP	BU-535S	BE	WH-300P	QU
15-1	87553-L4A-000	S LOGO EMBLEM		●		●		●		●
16	61100-L4A-000	FR. FENDER	BK-231P	KX	GY-517S	IP	BU-535S	BE	WH-300P	QU
17	64301-L4A-000	FR UNDER SPOILER	BK-231P	KX	GY-517S	IP	BU-535S	BE	WH-300P	QU
18	64315-L4A-000	MAINTENANCE COVER	BK-001U	KA	BK-001U	KA	BK-001U	KA	BK-001U	KA
19	6431A-L4A-000	RH. FLOOR PANEL ASSY.	BK-001U	KA	BK-001U	KA	BK-001U	KA	BK-001U	KA
20	6433A-L4A-000	LH. FLOOR PANEL ASSY.	BK-001U	●	BK-001U	●	BK-001U	●	BK-001U	●
21	67110-L4A-000	WIND SCREEN GARNISH	BK-001U	KA	BK-001U	KA	BK-001U	KA	BK-001U	KA
22	77406-L4A-000	BACK SEAT FR. COVER	BK-231P	KX	GY-517S	IP	BU-535S	BE	WH-300P	QU
23	7741A-L4A-000	BACK SEAT RR. COVER ASSY	BK-231P	KX1	GY-517S	IP1	BU-535S	BE1	WH-300P	QU1
24	80100-L4A-000	RR. FENDER	BK-001U	●	BK-001U	●	BK-001U	●	BK-001U	●
25	81141-L4A-000	INNER BOX LID	BK-231P	KX	GY-517S	IP	BU-535S	BE	WH-300P	QU
26	81231-L4A-010	FR. INNER BOX	BK-001U	KA	BK-001U	KA	BK-001U	KA	BK-001U	KA
27	81310-L4A-000	RH. RR GRIP	BK-231P	KX	GY-517S	IP	BU-535S	BE	WH-300P	QU
28	81320-L4A-000	LH. RR GRIP	BK-231P	KX	GY-517S	IP	BU-535S	BE	WH-300P	QU
29	8350G-L4C-000	RH BODY COVER ASSY	BK-231P	KX	GY-517S	IP	BU-535S	BE	WH-300P	QU
29-1	87129-HML-000	I MARK		●		●		●		●
29-2	87131-L4A-000	RH BODY COVER EMBLEM		●		●		●		●
29-3	83501-L4C-000	ABS EMBLEM		●		●		●		●
30	8352A-L4C-000	R SIDE COVER ASSY	BK-231P	KX	GY-517S	IP	BU-535S	BE	WH-300P	QU
30-1	83521-L4C-000	SYM MARK (70 STRIPE)		●		●		●		●
31	8360G-L4C-000	LH BODY COVER ASSY	BK-231P	KX	GY-517S	IP	BU-535S	BE	WH-300P	QU
31-1	87129-HML-000	I MARK		●		●		●		●
31-2	87132-L4A-000	LH BODY COVER EMBLEM		●		●		●		●
31-2	83501-L4C-000	ABS EMBLEM		●		●		●		●
32	8362A-L4C-000	L.SIDE COVER ASSY	BK-231P	KX	GY-517S	IP	BU-535S	BE	WH-300P	QU
32-1	83521-L4C-000	SYM MARK (70 STRIPE)		●		●		●		●

STRIPE			
11-1	15-1	29-1/31-1	29-2
29-3	31-2	33-1	30-1/32-1

COLOR & STRIPE SET FOR - MAXSYM 400 EFI



N O	MODEL		LX40A2-6									
	YEARS		2013.05		2013.08		2013.08		2013.09		2013.09	
	COLOR		MAT BLACK		BLACK		WHITE		MAT BLACK		GRAY	
	BASIC COLOR		BK9		BK1		W1		BK2		GY1	
	CODE		BK-001UL		BK-231S		WH-300P		BK-001UL		GY-517S	
	COUNTRY		ISRAEL									
Item	Parts Number	Description	Basic Color	Code	Basic Color	Code	Basic Color	Code	Basic Color	Code	Basic Color	Code
1	42601-L4C-000	RR. CAST WHEEL.	BK-001C	KB	BK-001C	KB	BK-001C	KB	BK-001C	KB	BK-001C	KB
2	43100-L4A-000	RR.CALIPER ASSY	GD-7403S	DM	GD-7403S	DM	GD-7403S	DM	GD-7403S	DM	GD-7403S	DM
3	43121-L4A-000	RR.BRAKE DISK	BK-001C	KB	BK-001C	KB	BK-001C	KB	BK-001C	KB	BK-001C	KB
4	44601-L4A-000	FR.CAST WHEEL COMP	BK-001C	KB	BK-001C	KB	BK-001C	KB	BK-001C	KB	BK-001C	KB
5	45100-L4C-000	RH.FR.CALIPER ASSY	GD-7403S	DM	GD-7403S	DM	GD-7403S	DM	GD-7403S	DM	GD-7403S	DM
6	45121-L4A-000	R FRONT BRAKE DISK	BK-001C	KB	BK-001C	KB	BK-001C	KB	BK-001C	KB	BK-001C	KB
7	45122-L4A-000	L FRONT BRAKE DISK	BK-001C	KB	BK-001C	KB	BK-001C	KB	BK-001C	KB	BK-001C	KB
8	51400-L4A-000	RH.FR.CUSHION COMP	BK-001C	KB	BK-001C	KB	BK-001C	KB	BK-001C	KB	BK-001C	KB
9	51500-L4A-000	LH.FR.CUSHION COMP	BK-001C	KB	BK-001C	KB	BK-001C	KB	BK-001C	KB	BK-001C	KB
10	52400-L4A-000	RR. CUSHION ASSY	BK-001C	KB	BK-001C	KB	BK-001C	KB	BK-001C	KB	BK-001C	KB
11	5311A-L4A-000	UPPER HANDLE COVER ASSY	BK-001UL	JH	BK-231S	KX	WH-300P	QU	BK-001UL	JH	GY-517S	IP
11-1	87553-VS1-100	FR.COVER LID EMBLEM		●		●		●		●		●
12	5312A-L4A-000	LOWER R HANDLE COVER ASSY	BK-001U	●	BK-001U	●	BK-001U	●	BK-001U	●	BK-001U	●
13	5312B-L4A-000	LOWER L HANDLE COVER ASSY	BK-001U	●	BK-001U	●	BK-001U	●	BK-001U	●	BK-001U	●
14	53208-L4A-005	METER PANEL	BK-001U	KA	BK-001U	KA	BK-001U	KA	BK-001U	KA	BK-001U	KA
15	5320G-L4A-000	FR. UP COVER ASSY	BK-001UL	JH	BK-231S	KX	WH-300P	QU	BK-001UL	JH	GY-517S	IP
15-1	87553-L4A-000	S LOGO EMBLEM		●		●		●		●		●
16	61100-L4A-000	FR. FENDER	BK-001UL	JH	BK-231S	KX	WH-300P	QU	BK-001UL	JH	GY-517S	IP
17	64301-L4A-000	FR UNDER SPOILER	BK-001UL	JH	BK-231S	KX	WH-300P	QU	BK-001UL	JH	GY-517S	IP
18	64315-L4A-100	MAINTENANCE COVER	BK-001U	KA	BK-001U	KA	BK-001U	KA	BK-001U	KA	BK-001U	KA
19	6431A-L4A-000	RH. FLOOR PANEL ASSY.	BK-001U	KA	BK-001U	KA	BK-001U	KA	BK-001U	KA	BK-001U	KA
20	6433A-L4A-000	LH. FLOOR PANEL ASSY.	BK-001U	●	BK-001U	●	BK-001U	●	BK-001U	●	BK-001U	●
21	67110-L4A-000	WIND SCREEN GARNISH	BK-001U	KA	BK-001U	KA	BK-001U	KA	BK-001U	KA	BK-001U	KA
22	77406-L4A-000	BACK SEAT FR. COVER	BK-001UL	JH	BK-231S	KX	WH-300P	QU	BK-001UL	JH	GY-517S	IP
23	7741A-L4A-000	BACK SEAT RR. COVER ASSY	BK-001UL	JH1	BK-231S	KX1	WH-300P	QU1	BK-001UL	JH1	GY-517S	IP1
24	80100-L4A-000	RR. FENDER	BK-001U	●	BK-001U	●	BK-001U	●	BK-001U	●	BK-001U	●
25	81141-L4A-000	INNER BOX LID	BK-001UL	JH	BK-231S	KX	WH-300P	QU	BK-001UL	JH	GY-517S	IP
26	81231-L4A-010	FR. INNER BOX	BK-001U	KA	BK-001U	KA	BK-001U	KA	BK-001U	KA	BK-001U	KA
27	81310-L4A-000	RH. RR GRIP	BK-001UL	JH	BK-231S	KX	WH-300P	QU	BK-001UL	JH	GY-517S	IP
28	81320-L4A-000	LH. RR GRIP	BK-001UL	JH	BK-231S	KX	WH-300P	QU	BK-001UL	JH	GY-517S	IP
29	8350G-L4C-000	RH BODY COVER ASSY	BK-001UL	JH	BK-231S	KX	WH-300P	QU	BK-001UL	JH	GY-517S	IP
29-1	87129-HML-000	I MARK		●		●		●		●		●
29-2	87131-L4A-000	RH BODY COVER EMBLEM		●		●		●		●		●
29-3	83501-L4C-000	ABS EMBLEM		●		●		●		●		●
30	8352A-L4C-000	R SIDE COVER ASSY	BK-001UL	JH	BK-231S	KX	WH-300P	QU	BK-001UL	JH	GY-517S	IP
30-1	83521-L4C-000	SYM MARK (70 STRIPE)		●		●		●		●		●
31	8360G-L4C-000	LH BODY COVER ASSY	BK-001UL	JH	BK-231S	KX	WH-300P	QU	BK-001UL	JH	GY-517S	IP
31-1	87129-HML-000	I MARK		●		●		●		●		●
31-2	87132-L4A-000	LH BODY COVER EMBLEM		●		●		●		●		●
31-3	83501-L4C-000	ABS EMBLEM		●		●		●		●		●
32	8362A-L4C-000	L.SIDE COVER ASSY	BK-001UL	JH	BK-231S	KX	WH-300P	QU	BK-001UL	JH	GY-517S	IP
32-1	83521-L4C-000	SYM MARK (70 STRIPE)		●		●		●		●		●
33	8365G-L4A-000	RR. COVER ASSY	BK-001UL	JH	BK-231S	KX	WH-300P	QU	BK-001UL	JH	GY-517S	IP
33-1	87553-VS1-100	FR. COVER LID EMBLEM		●		●		●		●		●
34	88110-L4A-002	R. BACK MIRROR ASSY		●		●		●		●		●
34	88110-L4A-900	R. BACK MIRROR ASSY		●	BK-231S	KX	WH-300P	QU	BK-001UL	JH	GY-517S	IP
35	88120-L4A-002	L. BACK MIRROR ASSY		●		●		●		●		●
35	88120-L4A-900	L. BACK MIRROR ASSY		●	BK-231S	KX	WH-300P	QU	BK-001UL	JH	GY-517S	IP

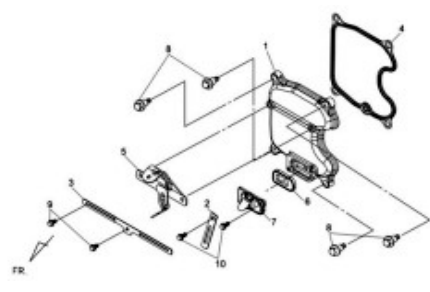
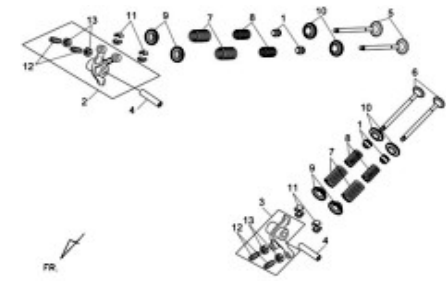
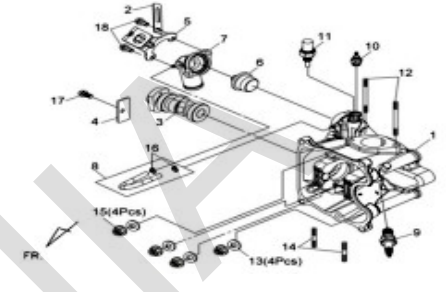
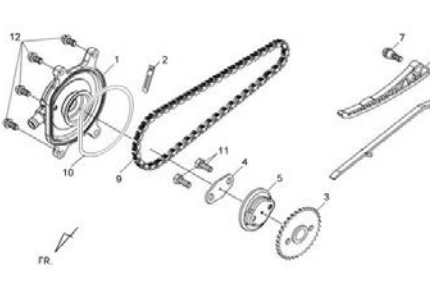
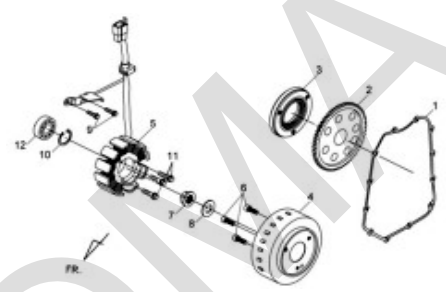
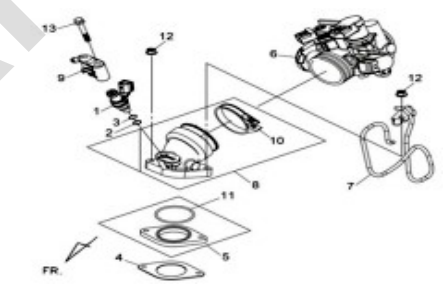
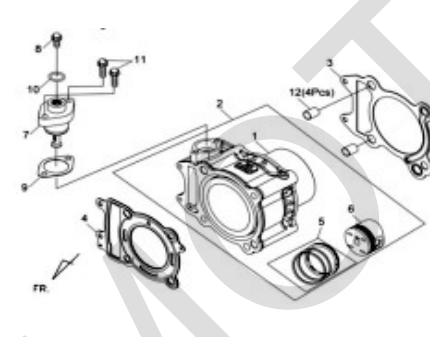
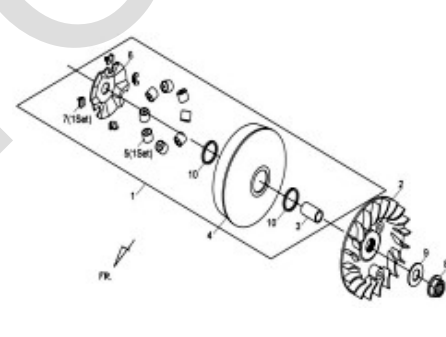
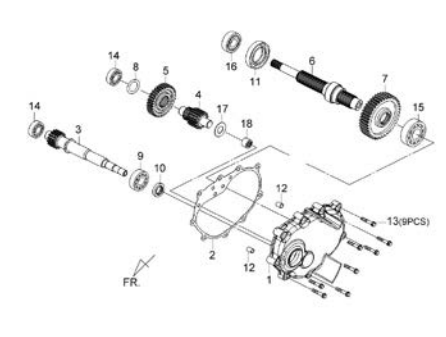
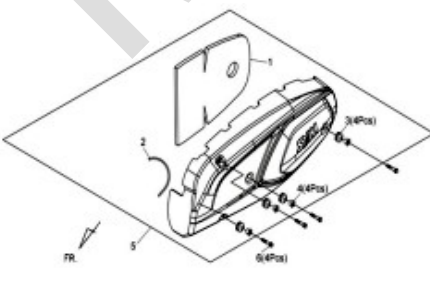
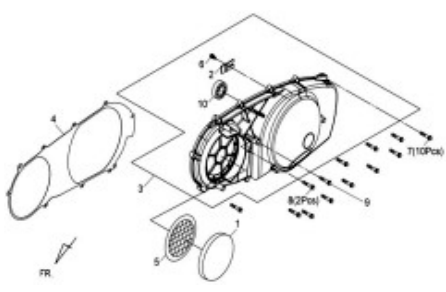
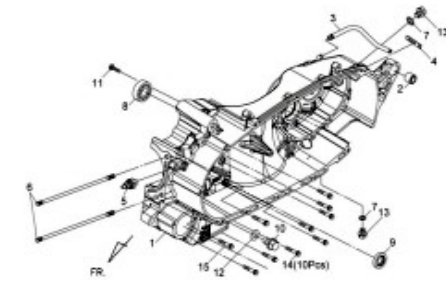
STRIPE

11-1/33-1 87553-VS1-100 15-1 87553-L4A-000 29-1/31-1 87129-HML-000 29-2 87131-L4A-000

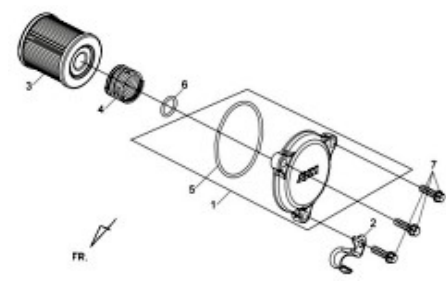
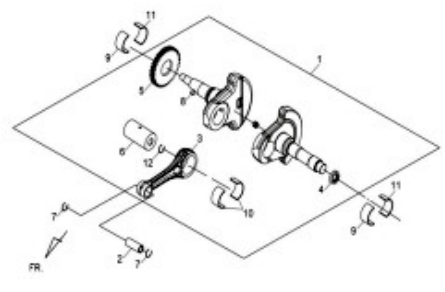
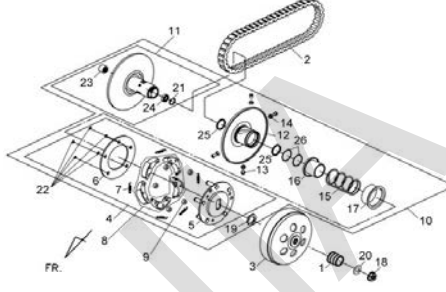
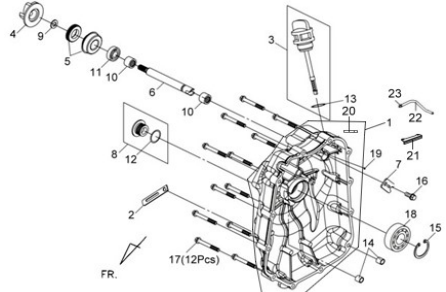
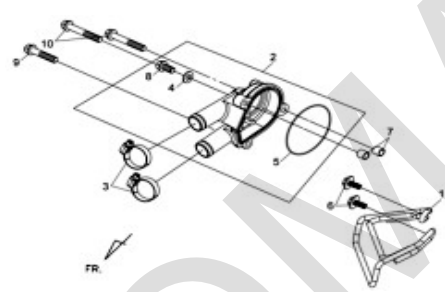
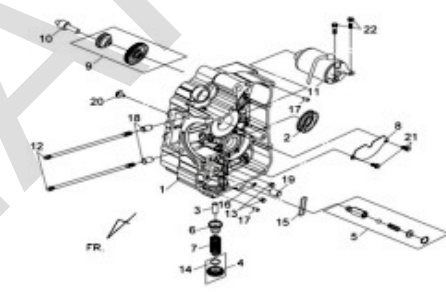
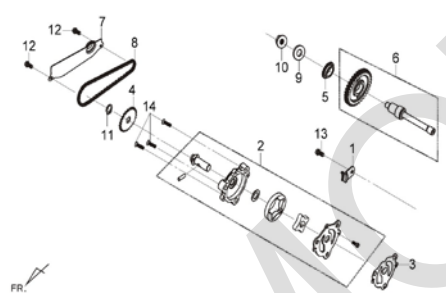
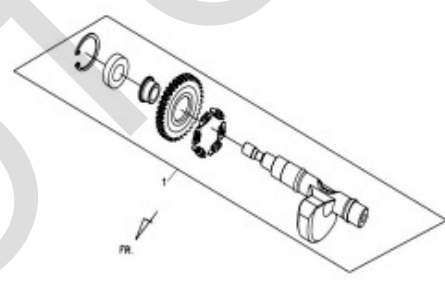
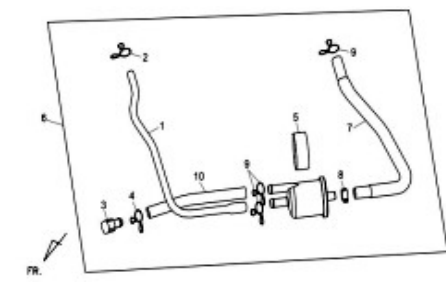
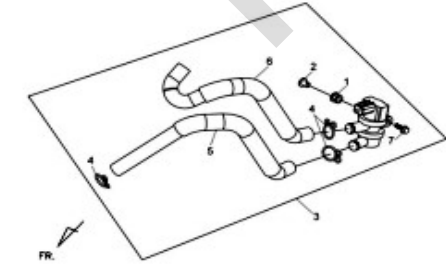
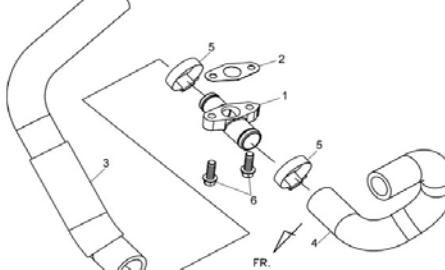

29-3/31-3 83501-L4C-000 30-1/32-1 83521-L4C-000 30-2 87132-L4A-000

Pictures reference only

CONTENTS—ENGINE GROUP

E01 CYLINDER HEAD COVER	E02 IN.VALVE/EX.VALVE	E03 CYLINDER COMP.
		
E04 CYLINDER HEAD SIDE COVER	E05 A.C.G. ASSY	E06 INLET PIPE ASSY.
		
E07 CYLINDER SET	E08 MOVABLE DRIVE FACE ASSY.	E09 MISSION COVER
		
E10 L OUTER COVER ASSY	E11 L. CRANK CASE COVER ASSY.	E12 L CRANK CASE COMP
		

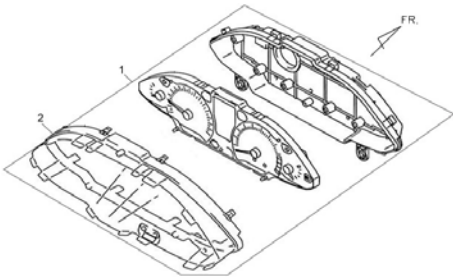
CONTENTS—ENGINE GROUP

<p>E13 OIL FILTER COVER COMP</p> 	<p>E14 CRANK SHAFT COMP</p> 	<p>E15 DRIVEN PULLEY ASSY</p> 
<p>E16 R. CRANK CASE COVER</p> 	<p>E17 WATER PUMP COVER ASSY</p> 	<p>E18 R CRANK CASE COMP</p> 
<p>E19 OIL PUMP ASSY.</p> 	<p>E20 BALANCE SHAFT COMP</p> 	<p>E21 BREATHER CHAMBER ASSY.</p> 
<p>E22 A.I.S.V. SET</p> 	<p>E23 3 WAY JOINT</p> 	

CONTENTS—FRAME GROUP

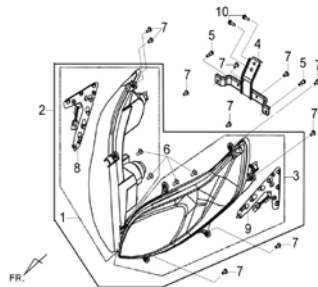
F01

SPEEDMETER ASSY.



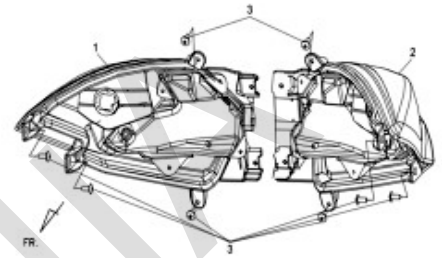
F02

HEAD LIGHT SET



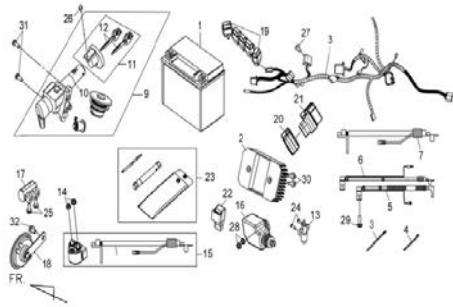
F03

TAIL LIGHT ASSY



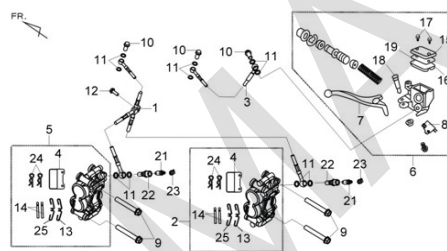
F04

WIRE HARNESS



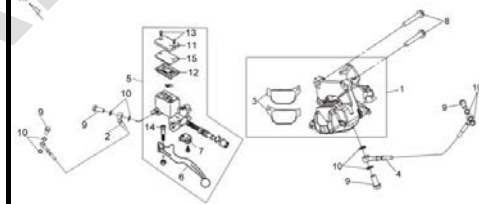
F05

FR BRAKE ASSY



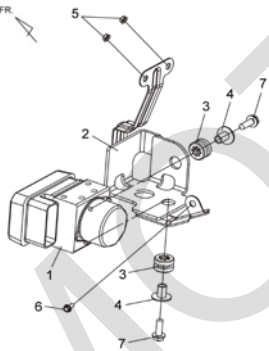
F06

RR. BRAKE ASSY



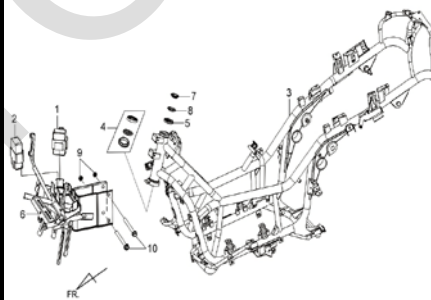
F07

ABS. HYDRAULIC CIRCUIT UNIT ASSY



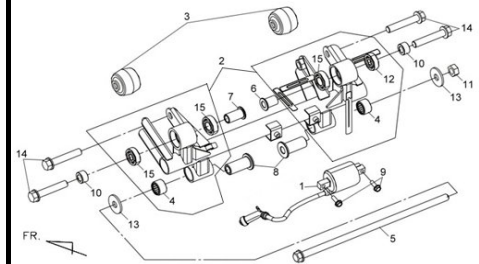
F08

FRAME BODY SET



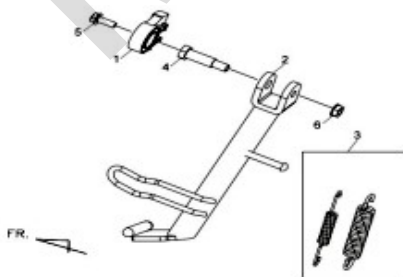
F09

ENG. HANGER LINK SET



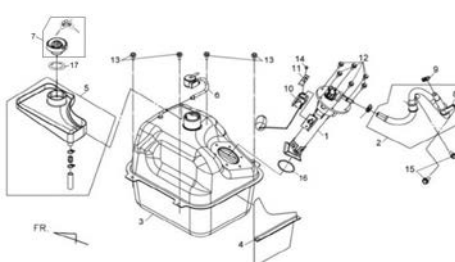
F10

SIDE STAND COMP



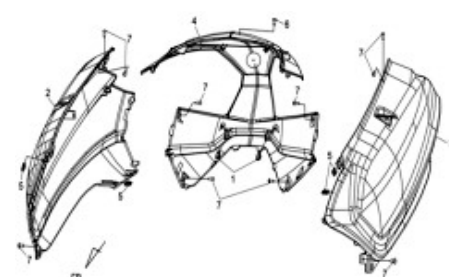
F11

FUEL TANK ASSY

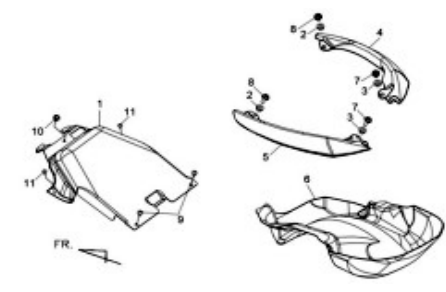
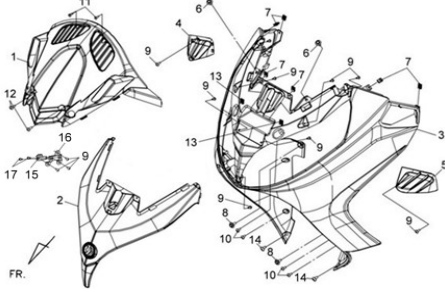
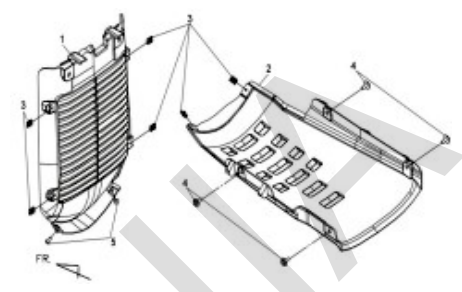
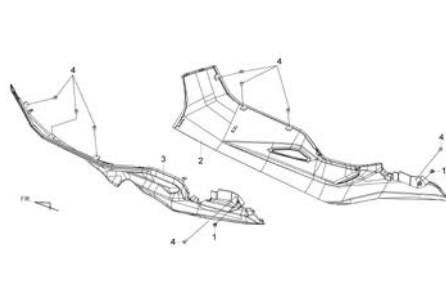
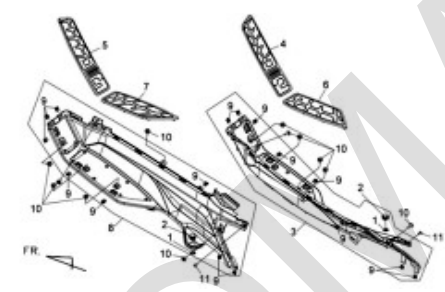
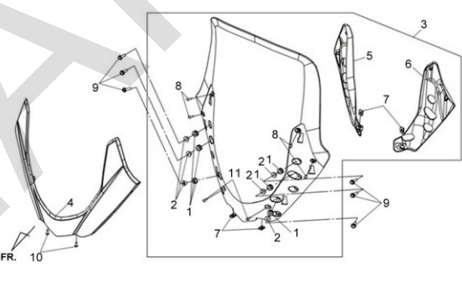
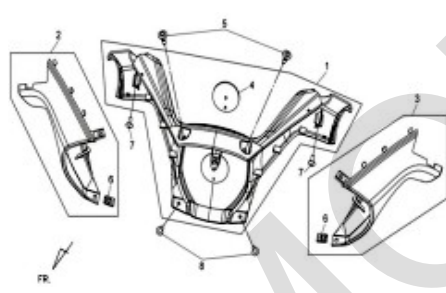
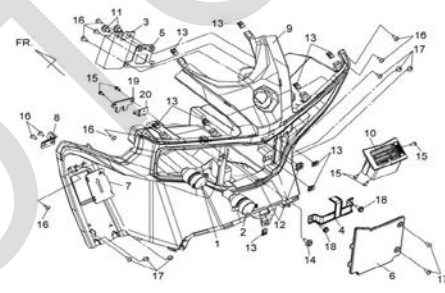
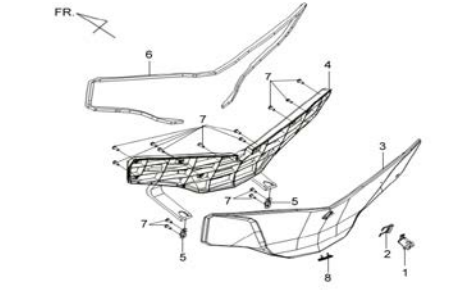
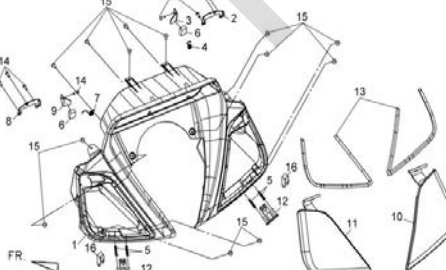
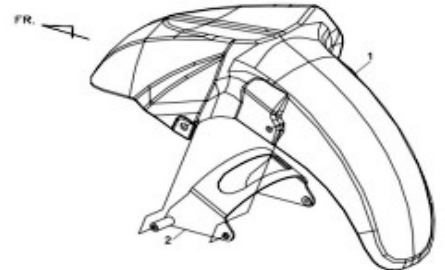
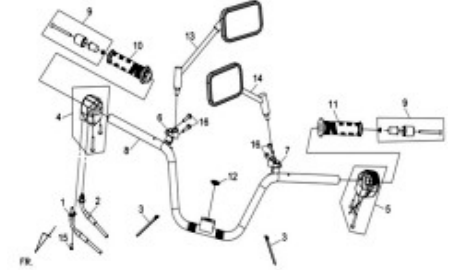


F12

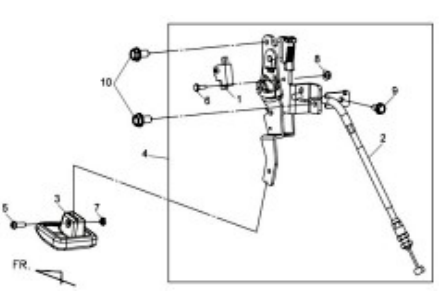
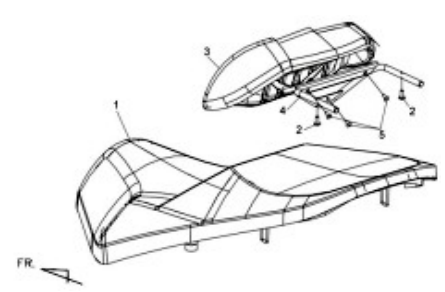
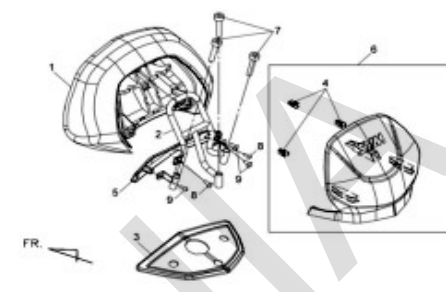
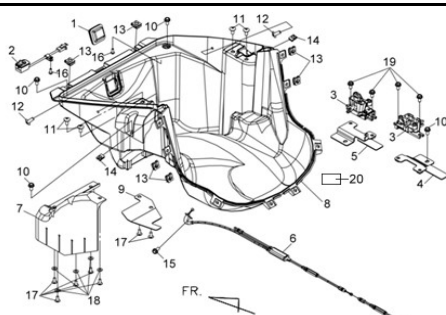
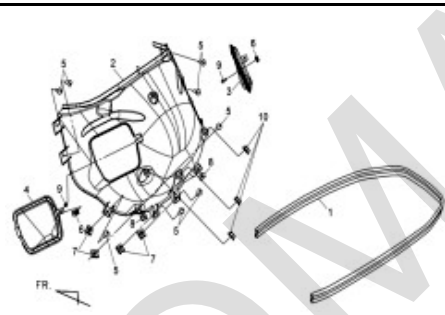
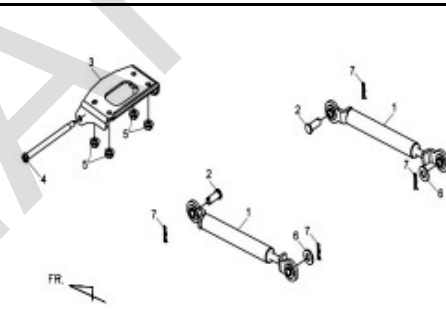
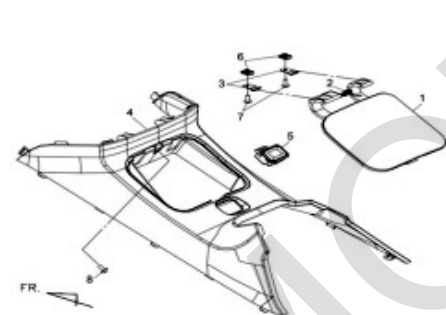
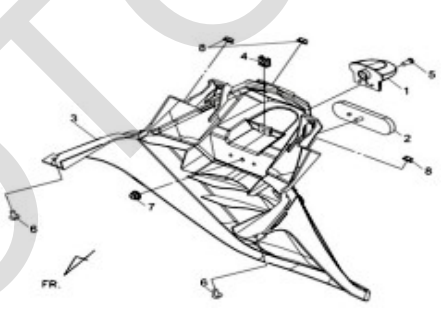
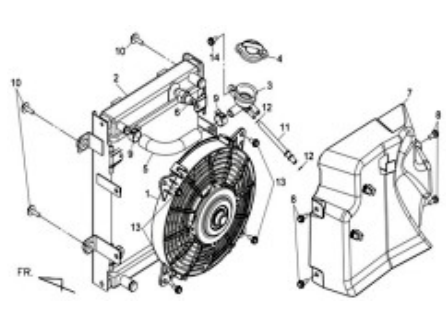
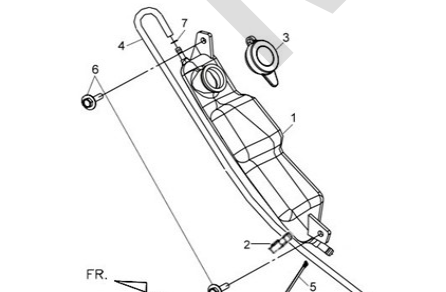
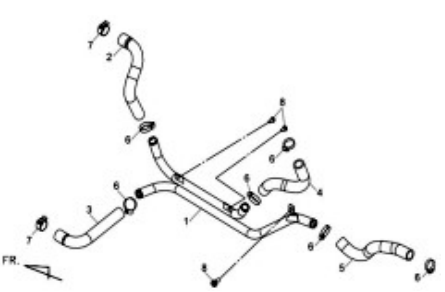
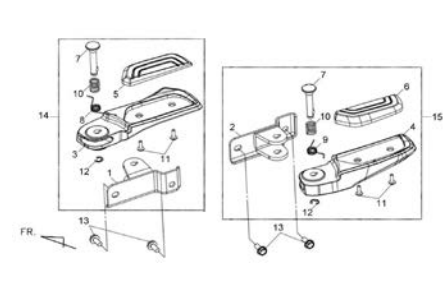
BODY COVER



CONTENTS—FRAME GROUP

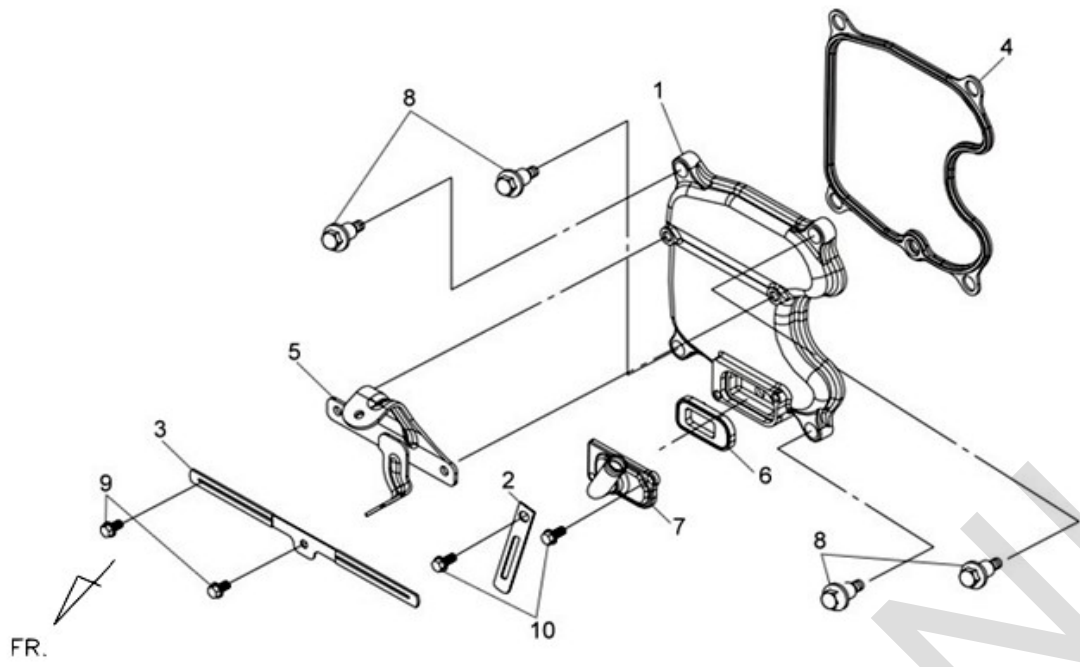
<p>F13</p> <p>RR GRIP</p> 	<p>F14</p> <p>FR UNDER SPOILER ASSY</p> 	<p>F15</p> <p>UNDER COVER ASSY</p> 
<p>F16</p> <p>SIDE COVER ASSY</p> 	<p>F17</p> <p>FLOOR PANEL ASSY</p> 	<p>F18</p> <p>WIND SCREEN ASSY</p> 
<p>F19</p> <p>UPPER HANDLE COVER ASSY</p> 	<p>F20</p> <p>FR. INNER BOX</p> 	<p>F21</p> <p>INNER BOX LID</p> 
<p>F22</p> <p>METER PANEL</p> 	<p>F23</p> <p>FR. FENDER</p> 	<p>F24</p> <p>HANDLE ASSY</p> 

CONTENTS—FRAME GROUP

F25 PARKING LEVER ASSY 	F26 DOUBLE SEAT ASSY 	F27 BACK SEAT ASSY 
F28 LUGGAGE BOX 	F29 RR. LUGGAGE BOX 	F30 OPEN STAY 
F31 MAINTENANCE COVER ASSY 	F32 RR. FENDER ASSY 	F33 RADIATOR ASSY 
F34 RESERVE TANK ASSY. 	F35 WATER HOSE ASSY 	F36 PILLION STEP ASSY 

CONTENTS—FRAME GROUP

<p>F37 STRG. STEM COMP.</p>	<p>F38 FR.CUSHION COMP</p>	<p>F39 FR. WHEEL ASSY</p>
<p>F40 RR. FORK ASSY.</p>	<p>F41 RR CUSHION ASSY</p>	<p>F42 MAIN STAND ASSY.</p>
<p>F43 RR. WHEEL ASSY</p>	<p>F44 AIR/C ASSY.</p>	<p>F45 AIR/C BOX ASSY.</p>
<p>F46 EXH. MUFFLER ASSY.</p>	<p>F47 TRUNK BOX BRKT. ASSY [OPTIONAL]</p>	



Pictures reference only

PARTS NUMBER	DESCRIPTION	QTY	EFFECTIVE DATE
1 12301-L4A-000	CYLINDER HEAD COVER	1	
2 12342-G02-000	CLAMP	1	
3 12342-L4A-000	CLAMP	1	
4 12391-L4A-000	HEAD COVER PACKING	1	
5 15714-L4A-000	AIR BOX STAY A COMP	1	
6 18601-HEB-000	REED VALVE COMP	1	
7 18610-L4A-010	REED VALVE COMP	1	
8 90002-HMA-000	CYLINDER HEAD COVER BOLT	4	
9 96001-06012-00	FLANGE BOLT SH 6X12	2	
10 96001-06016-00	FLANGE BOLT SH 6X16	2	

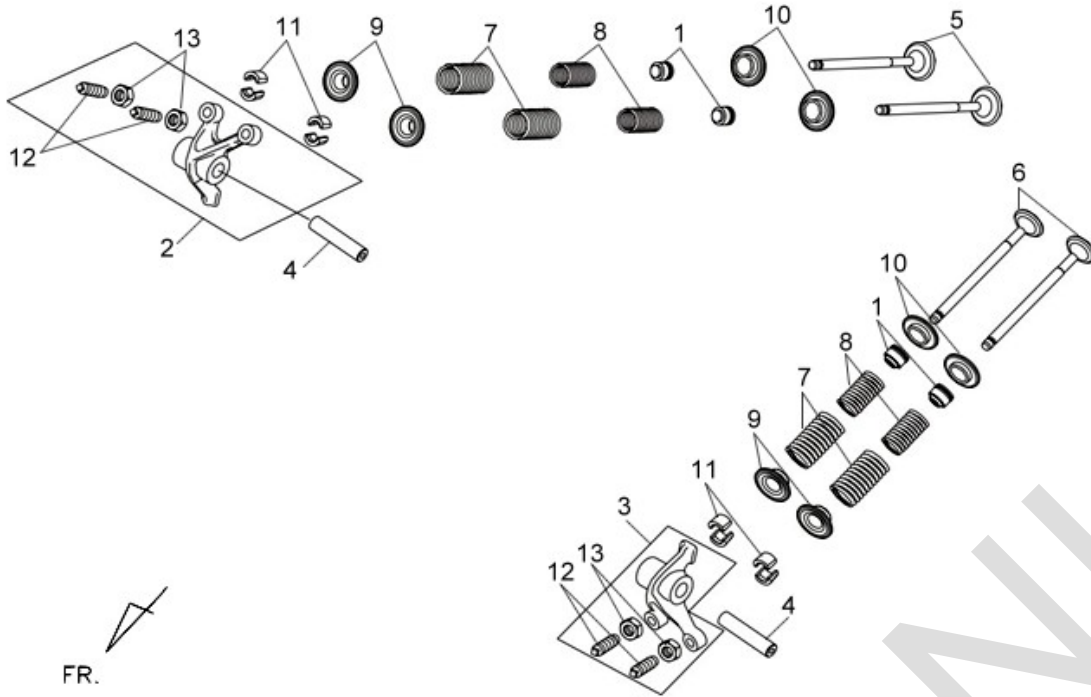
※ Please check the color & stripe information according to the color index !

TEAMWORLD IND. 2012.02

※N/A = SUBSTITUTE

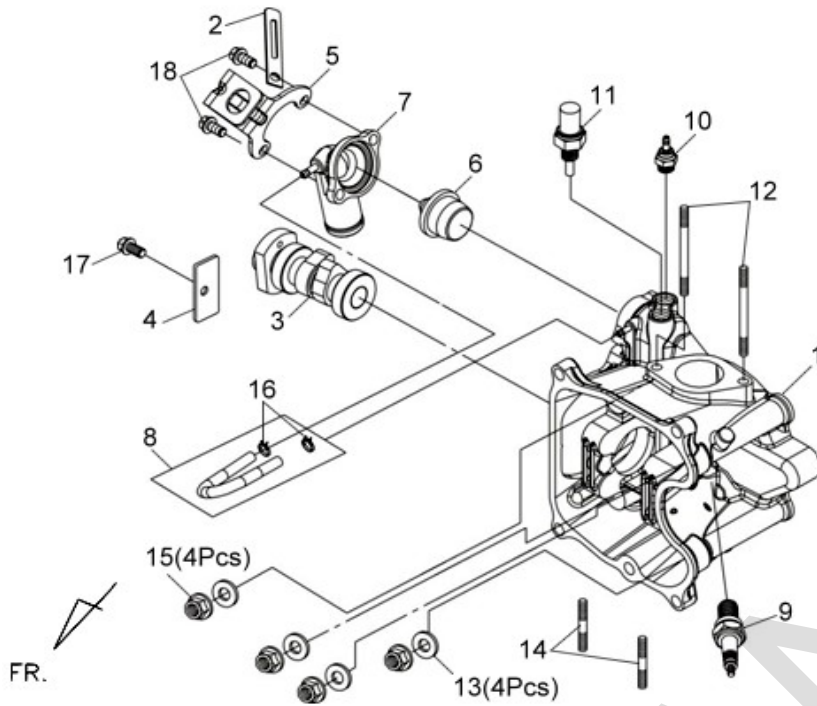
※Y = EXCHANGEABLE

※N =NOT EXCHANGEABLE



Pictures reference only

PARTS NUMBER	DESCRIPTION	QTY	EFFECTIVE DATE
1 12209-H6B-900	VALVE STEM SEAL	4	
2 1443A-L4A-000	IN.VALVE ROCKER ARM ASSY	1	
3 1444A-L4A-000	EX.VALVE ROCKER ARM ASSY	1	
4 14451-L4A-000	ROCKER ARM SHAFT	2	
5 14711-L4A-000	IN.VAIVE	2	
6 14721-L4A-000	EX.VAIVE	2	
7 14751-REA-000	VALVE OUTER SPG.	4	
8 14761-REA-000	VALVE INNER SPG.	4	
9 14771-GB4-680	VALVE SPRING RETAINER	4	
10 14777-REA-000	VALVE SPRING SEAT	4	
11 14781-M9Q-000-A	VALVE COTTER SET(1SET/4PCS)	8	
12 90012-HLK-000	TAPPET ADJUSTING SCREW	4	
13 90206-HLK-000	TAPPET ADJUSTING NUT	4	



Pictures reference only

PARTS NUMBER	DESCRIPTION	QTY	EFFECTIVE DATE
1 12200-L4A-000	CYLINDER HEAD COMP	1	
2 12342-X01-000	CLAMP	1	
3 14100-L4A-000	CAM SHAFT COMP	1	
4 14457-L4A-000	CAM SHAFT SETTING PLATE	1	
5 1571A-L4A-000	AIR BOX STAY B COMP	1	
6 19300-HMA-000	THERMOSTAT ASSY.	1	
7 19315-L4A-000	THERMOSTAT COVER ASSY	1	
8 19320-L4A-000	THERMOSTAT TUBE ASSY	1	
9 1PCR8E-3	PLUG CR8E	1	
10 37750-PC1-004	THERMO UNIT ASSY	1	
11 37880-HMC-000	TW SENSOR	1	
12 90034-HMA-000	SPECIAL STUD BOLT 8*40	2	
13 90442-HMA-000	SEAL WASHER	4	
14 92900-06032-0B	STUD BOLT 2.6*32	2	
15 94050-10080	FLANGE NUT 10MM	4	
16 95002-40730-08	TUBE CLAMP D7.3	2	
17 96001-06016-00	FLANGE BOLT SH 6X16	1	
18 96001-06025-00	FLANGE BOLT SH 6X25	2	

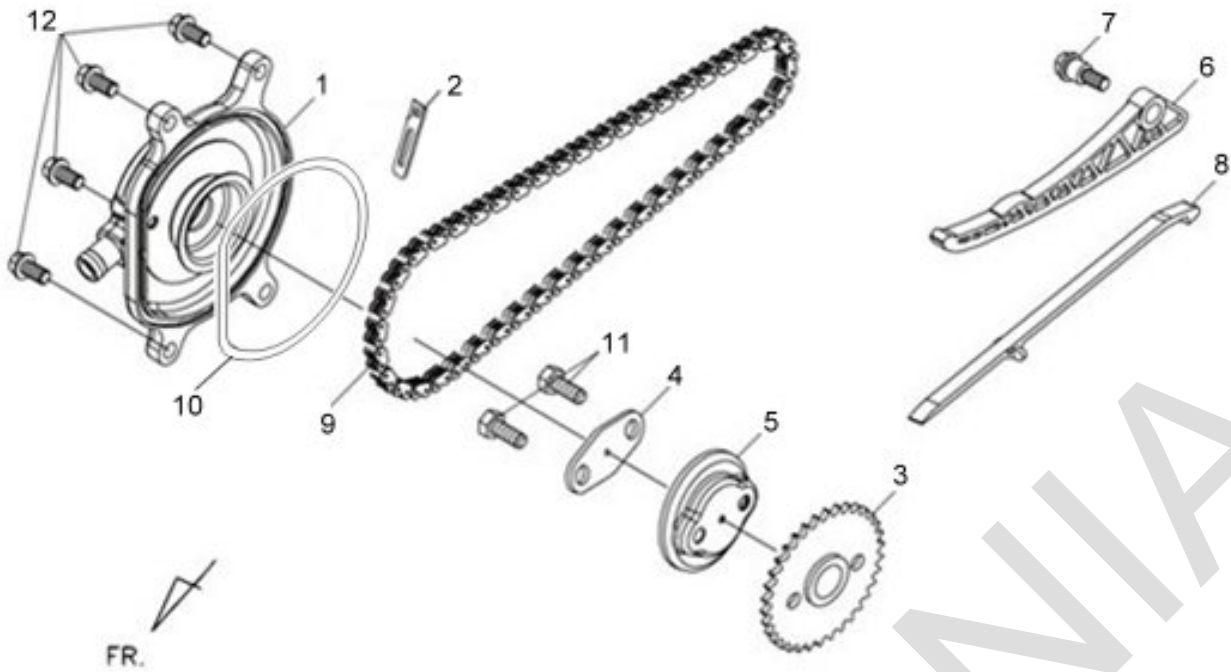
※ Please check the color & stripe information according to the color index !

 TEAMWORLD IND. 2012.02

※N/A = SUBSTITUTE

※Y = EXCHANGEABLE

※N =NOT EXCHANGEABLE



Pictures reference only

PARTS NUMBER	DESCRIPTION	QTY	EFFECTIVE DATE
1 1231A-L4A-000	CYLINDER HEAD SIDE COVER ASSY	1	
2 12342-G02-000	CLAMP	1	
3 14105-L4A-000	CAM SPROCKET	1	
4 14105-REA-000	CAM SPROCKET WASHER	1	
5 14108-REA-000	CENTRIFUGAL DISK	1	
6 14510-L4A-000	CAM CHAIN TENSIONER	1	
7 14531-REA-000	CAM CHAIN TENSIONER PIVOT	1	
8 14610-L4A-000	CAM CHAIN GUIDE	1	
9 1C14401-L4A-000	CAM CHAIN 108L	1	
10 91301-L4A-000	HEAD R. SIDE COVER O-RING	1	
11 92101-06016-0H	HEX BOLT 6*16	2	
12 96001-06018-00	FLANGE BOLT SH 6X18	4	

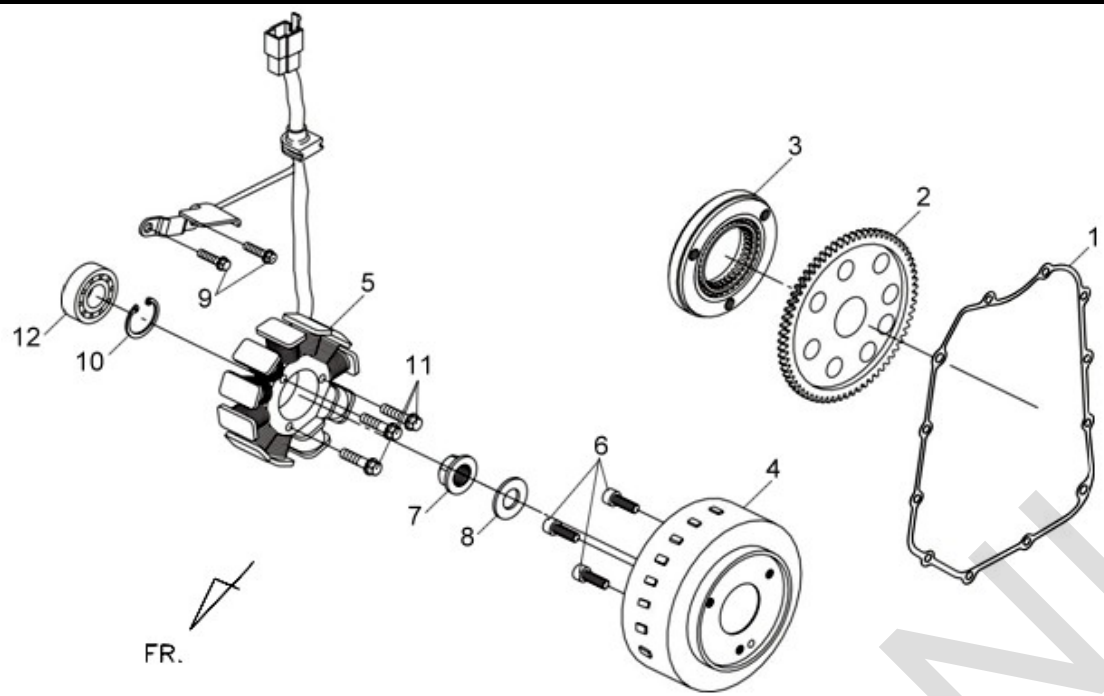
※ Please check the color & stripe information according to the color index !

TEAMWORLD IND. 2012.02

※N/A = SUBSTITUTE

※Y = EXCHANGEABLE

※N = NOT EXCHANGEABLE



Pictures reference only

PARTS NUMBER	DESCRIPTION	QTY	EFFECTIVE DATE	
1 11394-L4A-000	R.COVER GASKET	1		
2 28110-L4A-000	STARTING CLUTCH GEAR COMP	1		
2 28110-L4A-002	STARTING CLUTCH GEAR COMP	1	2012/7/20	
3 2812A-HMA-000	ONE WAY CLUTCH ASSY	1		
3 2812A-L4G-000	ONE WAY CLUTCH ASSY	1	2012/7/20	
4 31110-L4A-000	FLYWHEEL COMP	1		
4 31110-L4A-900	FLYWHEEL COMP	1	2012/7/20	N
5 31120-L4A-000	STATOR COMP	1		
6 90157-F3G-000	SOCKET BOLT 8X20	3		
7 90201-KR8-751-M1	FLANGE NUT 14MM	1		
8 90401-KJ9-000	THRUST WASHER 14X28X2	1		
9 92101-05016-0H	HEX BOLT 5*16	2		
10 94520-32000	IN. CIR. CLIP	1		
11 96001-06030-00	FLANGE BOLT SH 6X30	3		
12 96100-62013-00	RAD.BRG. BALL 6201T/C3	1		

※ Please check the color & stripe information according to the color index !

 **TEAMWORLD IND. 2012.02**

※N/A = SUBSTITUTE

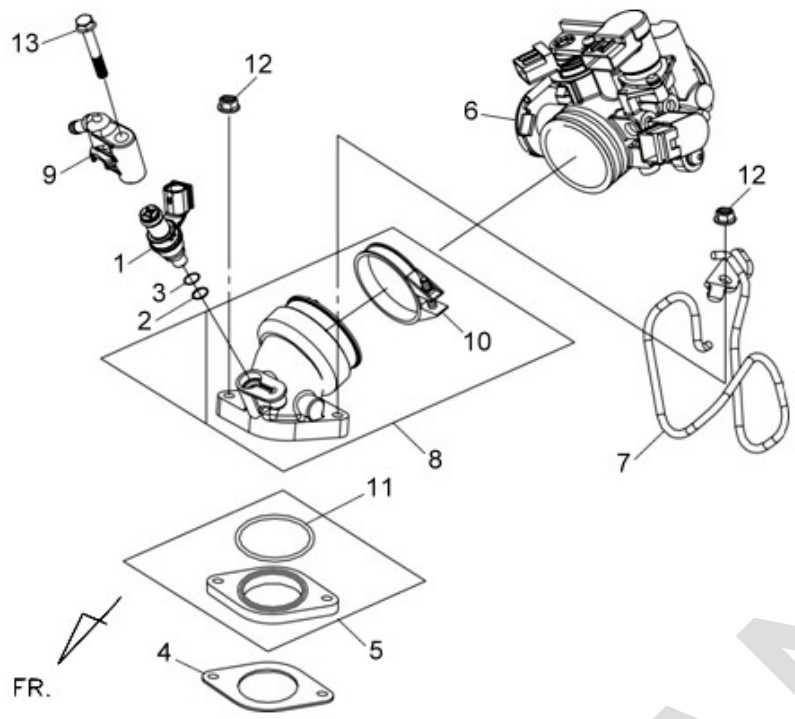
※Y = EXCHANGEABLE

※N =NOT EXCHANGEABLE

MOTOMANIA

E06 INLET PIPE ASSY.

LX40A2-6[MAXSYM 400]



Pictures reference only

PARTS NUMBER	DESCRIPTION	QTY	EFFECTIVE DATE
1 06414-L4A-000	FUEL INJECTOR	1	
2 06415-HNS-000	O-RING	1	
3 06416-HNS-000	SEAL-RING	1	
4 16201-L4A-000	CARB.INSULATOR GASKET	1	
5 1621A-L4A-000	CARB.INSULATOR ASSY	1	
6 16401-L4A-000	THROTTLE BODY ASSY	1	
7 17114-L4A-000	CLAMP COMP	1	
8 1711A-L4A-000	INLET PIPE ASSY.	1	
9 17120-L4A-000	FUEL INJECTOR CAP	1	
10 90652-L4A-000	AIR/C CONN. TUBE BAND 58	1	
11 91308-L4A-000	O-RING 43X2.0	1	
12 94050-06000	FLANGE NUT 6MM	2	
13 96001-06050-00	FLANGE BOLT SH 6X50	1	

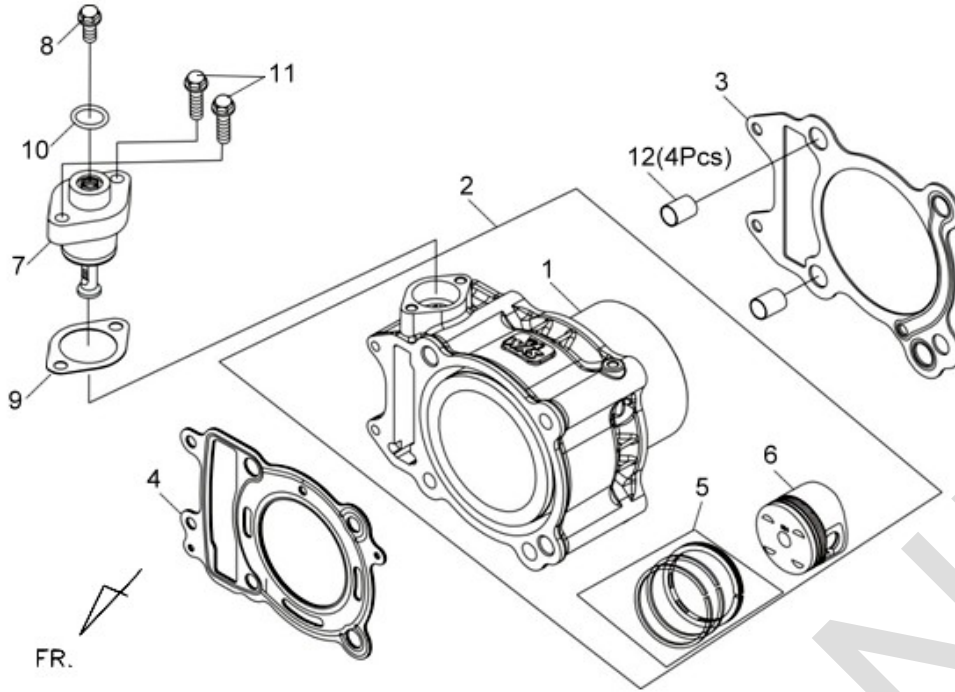
※ Please check the color & stripe information according to the color index !

TEAMWORLD IND. 2012.02

※N/A = SUBSTITUTE

※Y = EXCHANGEABLE

※N =NOT EXCHANGEABLE



Pictures reference only

PARTS NUMBER	DESCRIPTION	QTY	EFFECTIVE DATE
1 12100-L4A-000	CYLINDER COMP	1	
2 12100-L4A-000-A	CYLINDER SET	1	
3 12191-L4A-000	CYLINDER GASKET	1	
4 12251-L4A-000	CYLINDER HEAD GASKET	1	
5 13010-L4A-000	PISTON RING SET	1	
6 13101-L4A-000	PISTON	1	
7 14520-H6T-000	TENSIONER LIFTER	1	
8 14522-H6T-000	TENSIONER ADJUSTER BOLT	1	
9 14523-M9Q-000	TENSIONER LIFTER GASKET	1	
10 14524-H6T-000	OIL-RING	1	
11 90001-M9Q-000	FLANGE SHF BOLT 6X22	2	
12 94301-12200	DOWEL PIN 12*20	4	

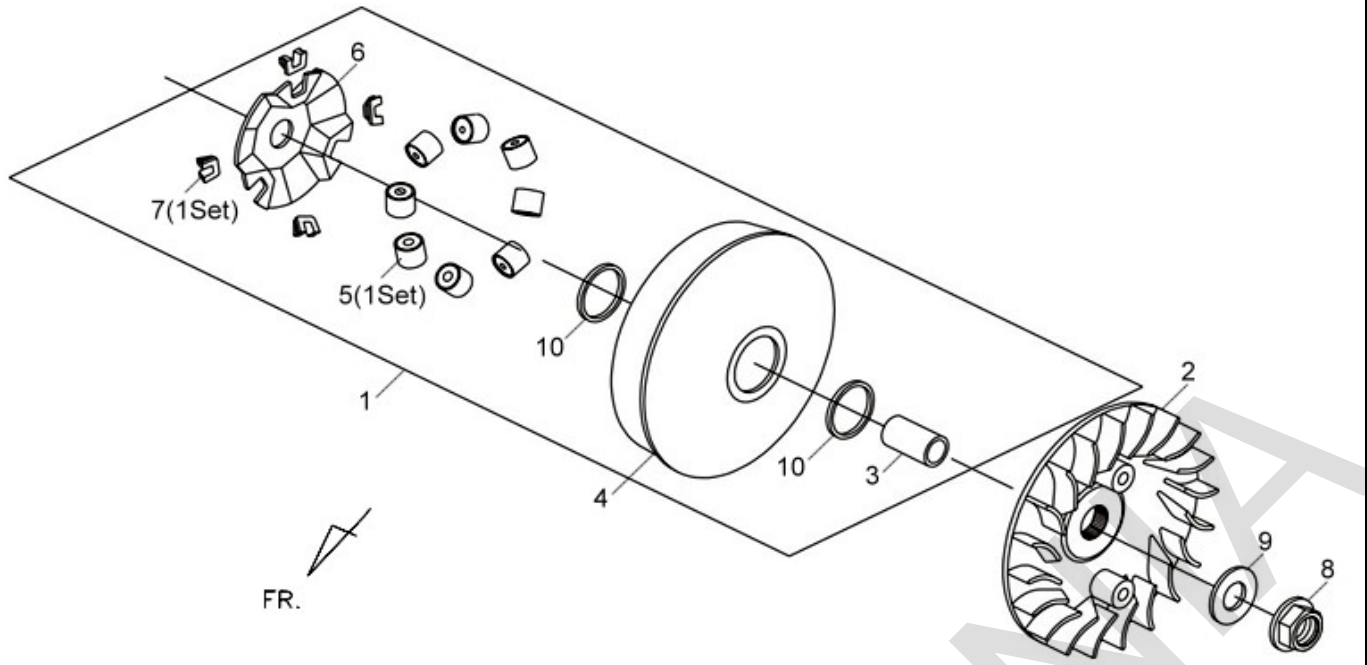
※ Please check the color & stripe information according to the color index !

TEAMWORLD IND. 2012.02

※N/A = SUBSTITUTE

※Y = EXCHANGEABLE

※N =NOT EXCHANGEABLE



Pictures reference only

PARTS NUMBER		DESCRIPTION	QTY	EFFECTIVE DATE
1	22000-L4A-000	MOVABLE DRIVE FACE ASSY	1	
2	22102-L4A-000	DRIVE FACE	1	
3	22105-L4A-000	DRIVE FACE BOSS	1	
4	22110-L4A-000	MOVABLE DRIVE FACE COMP	1	
4	22110-L4A-003	MOVABLE DRIVE FACE COMP	1	
5	22121-L4A-000-A	WEIGHT ROLLER COMP.(8Pcs/1Set)	1	
6	22131-L4A-000	RAMP PLATE	1	
7	22132-L4A-000-A	SLIDE PIECE SET(4pcs/set)	1	
8	90201-KR8-751-M1	FLANGE NUT 14MM	1	
9	90401-KJ9-000	THRUST WASHER 14X28X2	1	
10	91206-L4A-000	OIL SEAL	2	

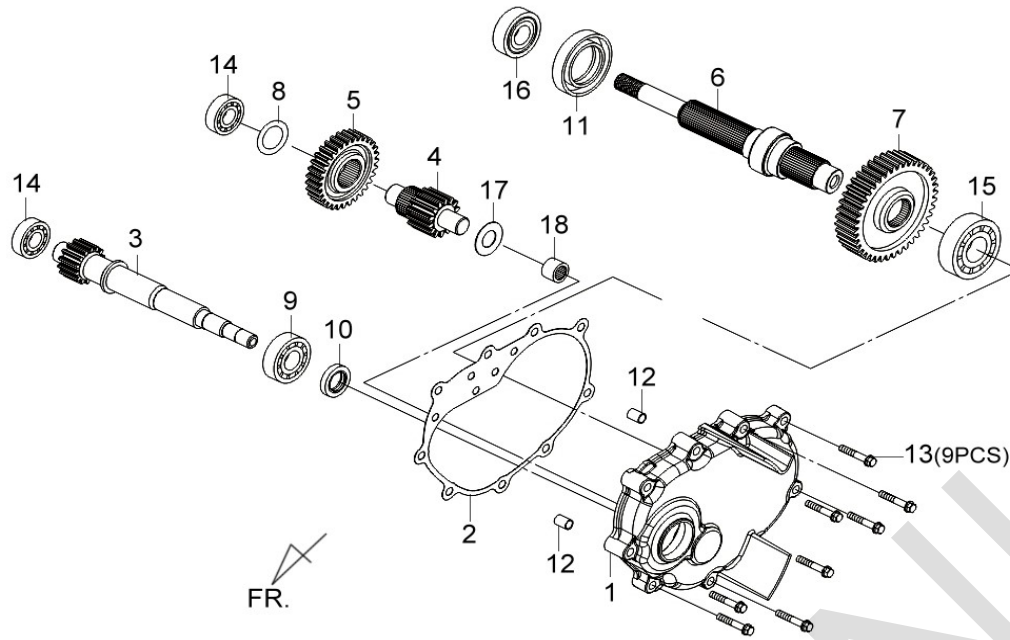
※ Please check the color & stripe information according to the color index !

TEAMWORLD IND. 2012.02

※N/A = SUBSTITUTE

※Y = EXCHANGEABLE

※N =NOT EXCHANGEABLE



Pictures reference only

PARTS NUMBER		DESCRIPTION	QTY	EFFECTIVE DATE
1	21301-L4A-000	MISSION COVER	1	
2	21395-L4A-000	MISSION CASE GASKET	1	
3	23411-L4A-000	DRIVE SHAFT	1	
3	23411-L4A-010	DRIVE SHAFT	1	
4	23421-L4A-000	COUNTER SHAFT	1	
5	23422-L4A-010	COUNTER GEAR	1	
6	23431-L4A-000	FINAL SHAFT	1	
7	23432-L4A-000	FINAL GEAR	1	
8	90402-BAA-000	THRUST WASHER 20.2*36*2.5	1	
9	91001-X06-911-M1	RAD. BALL BRG. CSB305C	1	
10	91204-HMA-000	OIL SEAL	1	
11	91204-L4A-000	OIL SEAL TC 45*65*10	1	
12	90703-M8Q-000	DOWEL PIN 10X14	2	
13	95701-08040-00	FLANGE BOLT 8X40	9	
14	96100-62040-00	RAD.BALL.BRG.6204T	2	
15	96100-62050-00	BEARING BALL 6205T	1	
16	96150-62060-10	RADIAL BALL BRG.6206LLU/2AS	1	
17	90401-L4A-000	THRUST WASHER 18MM	1	
18	91002-L4A-000	NEEDLE BRG. NK18/20R	1	

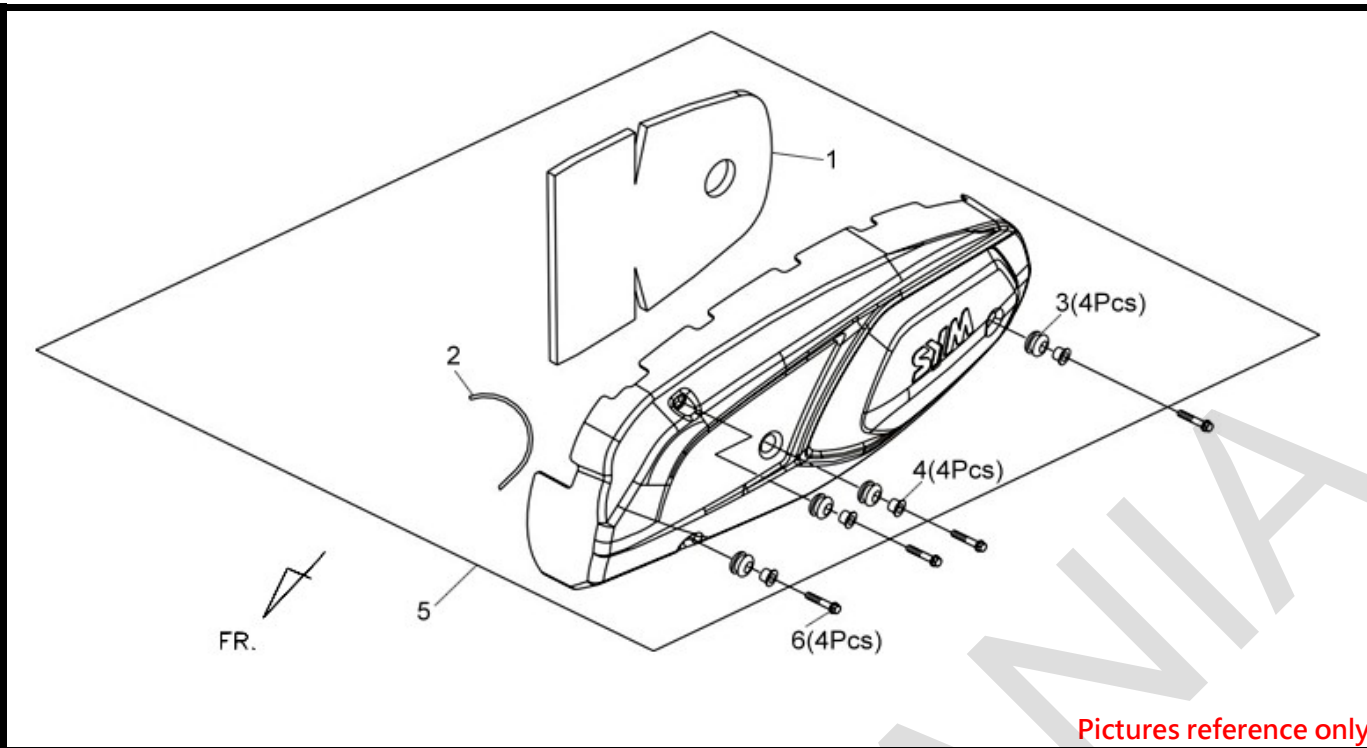
※ Please check the color & stripe information according to the color index !

 TEAMWORLD IND. 2012.02

※N/A = SUBSTITUTE

※Y = EXCHANGEABLE

※N =NOT EXCHANGEABLE

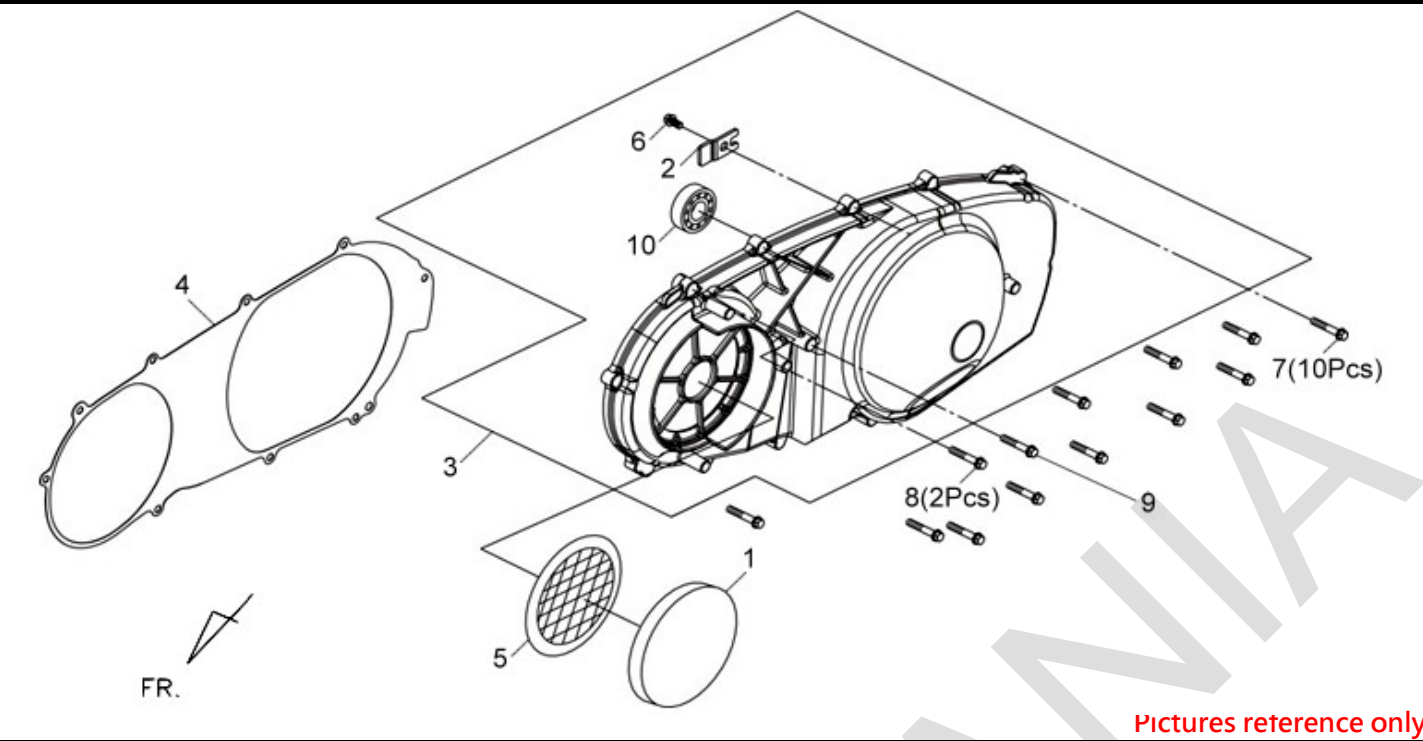


Pictures reference only

PARTS NUMBER	DESCRIPTION	QTY	EFFECTIVE DATE
1 11352-L4A-000	L.OUTER COVER SPONGE	1	
2 11353-L4A-000	L.OUTER COVER SEAL	1	
3 11354-H3A-000	MOUNT RUBBER	4	
4 11356-H3A-000	COLLAR	4	
5 1135A-L4A-000	L OUTER COVER ASSY.BK-001U	1	
6 90115-G02-000	BOLT 6X16	4	

E11 L. CRANK CASE COVER ASSY.

LX40A2-6[MAXSYM 400]



Pictures reference only

PARTS NUMBER	DESCRIPTION	QTY	EFFECTIVE DATE
1 11344-L4A-000	L.CVOER ELEMENT	1	
2 11346-L4A-000	L.BEARING SETTING PLATE	1	
3 1134A-L4A-000	L CRANK CASE COVER ASSY	1	
4 11395-L4A-000	L.COVER GASKET	1	
5 17221-L4A-000	TRAP COMP	1	
6 96001-06014-00	FLANGE BOLT SH 6X14	1	
7 96001-06025-00	FLANGE BOLT SH 6X25	10	
8 96001-06035-00	FLANGE SH BOLT 6X35	2	
9 96001-06060-00	FLANGE BOLT SH 6X60	1	
10 96150-60060-10	RADIAL BALL BEARING 6006LLU	1	

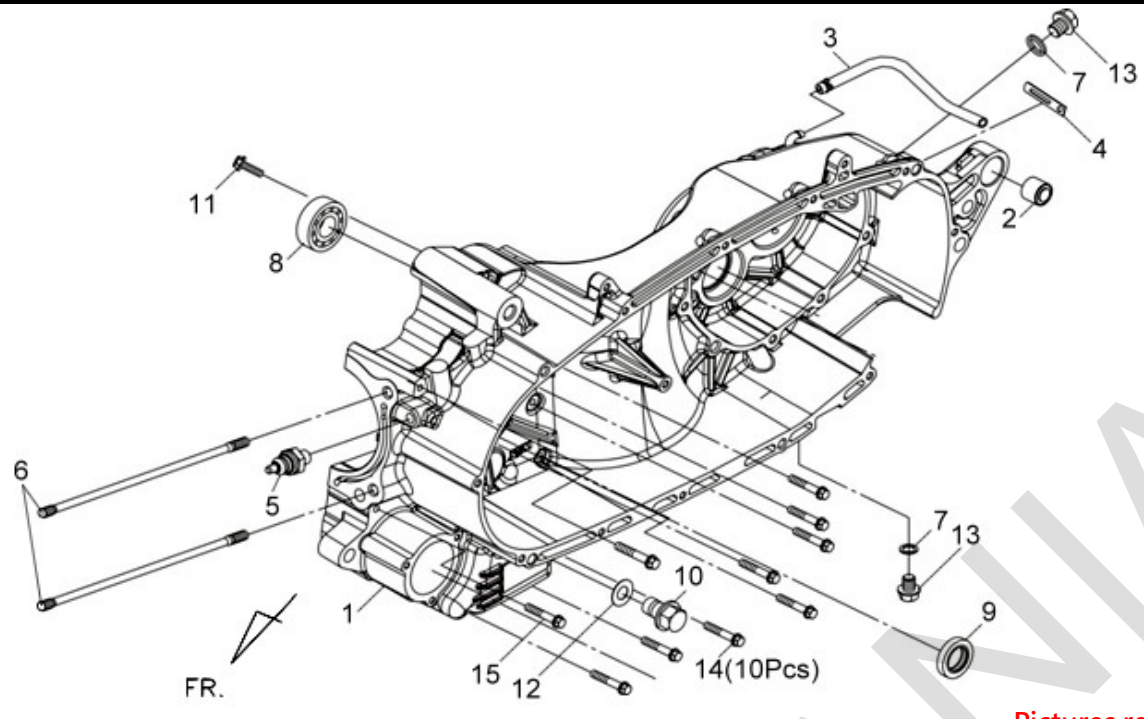
※ Please check the color & stripe information according to the color index !

TEAMWORLD IND. 2012.02

※N/A = SUBSTITUTE

※Y = EXCHANGEABLE

※N =NOT EXCHANGEABLE



Pictures reference only

PARTS NUMBER	DESCRIPTION	QTY	EFFECTIVE DATE
1 11200-L4A-010	L CRANK CASE COMP	1	
2 11203-L4A-000	RR.CUSH UND BUSH RUBBER	1	
3 1122A-L4A-000	MISSION BREATHER TUBE ASSY	1	
4 12342-G02-000	CLAMP	1	
5 37240-L4A-000	OIL PRESSURE SW ASSY	1	
6 90031-L4A-000	CYLINDER STUD BOLT A	2	
7 90481-M9Q-000	PLAIN WASHER 10.2MM	2	
8 91104-BAA-000	RADIAL BALL BEARING CSB304	2	
9 91209-L4A-000	OIL SEAL TC 35*55*7.5	1	
10 92800-12000	DRAIN PLUG BOLT 12MM	1	
11 96001-06012-00	FLANGE BOLT SH 6X12	1	
12 94109-12000	DRAIN PLUG WASHER 12MM	1	
13 90035-KZ1-000	OIL LEVEL CHECK BOLT	2	
14 96001-06060-00	FLANGE BOLT SH 6X60	10	
15 96001-06075-00	FLANGE BOLT SH 6X75	3	

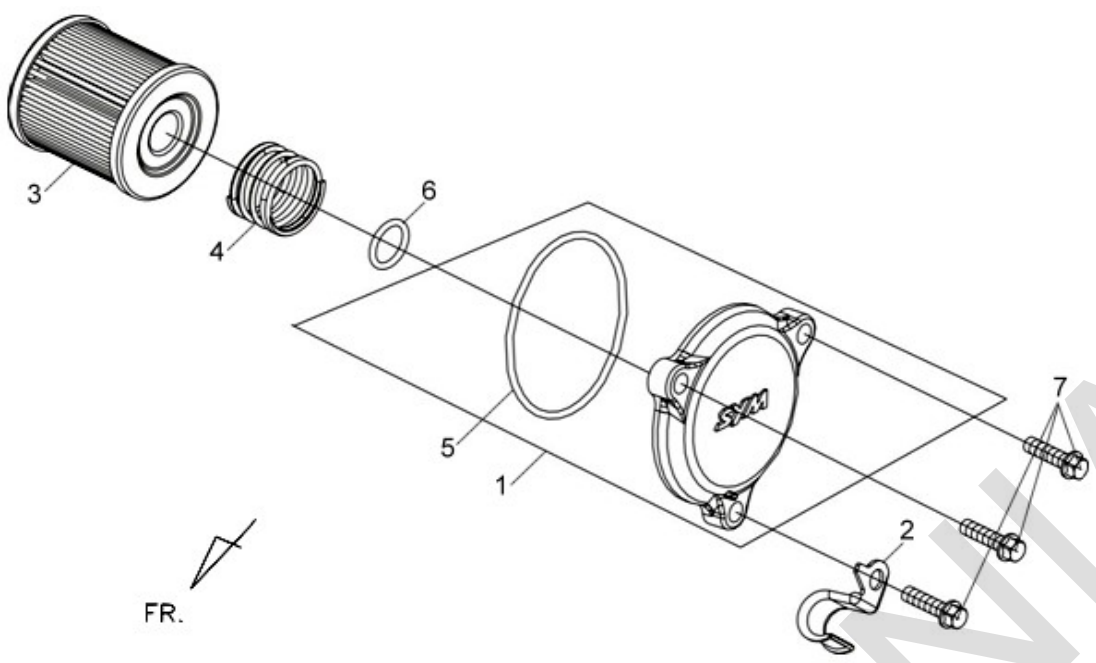
※ Please check the color & stripe information according to the color index !



※N/A = SUBSTITUTE

※Y = EXCHANGEABLE

※N =NOT EXCHANGEABLE



Pictures reference only

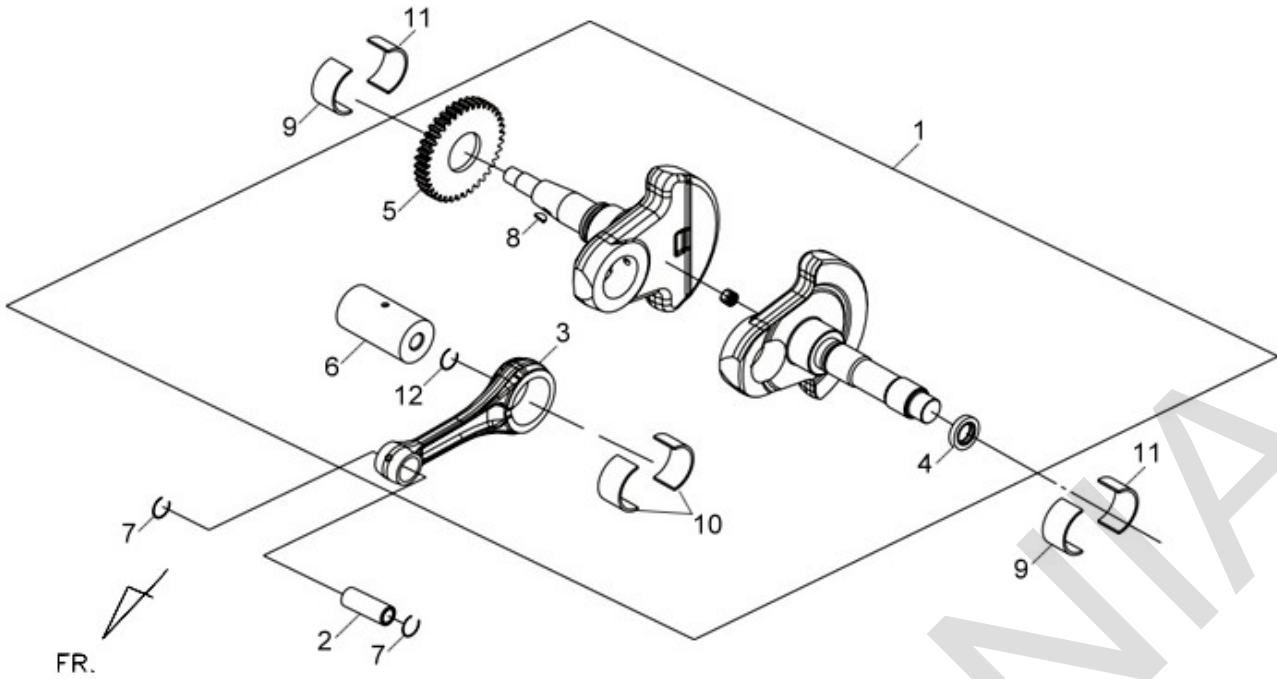
PARTS NUMBER		DESCRIPTION	QTY	EFFECTIVE DATE	
1	1136A-L4A-000	OIL FILTER COVER COMP	1		
2	12342-G02-000	CLAMP	1		
2	11383-L4A-000	BREATHER DRAIN TUBE CLAMP	1	2013/4/1	N
3	15400-L4A-000	OIL FILTER UNIT	1		
4	15414-N01-000	OIL FILTER SPRING	1		
5	91303-L4A-000	OIL FILTER COVER O-RING	1		
6	91310-REA-000	L.CASE OIL HOLE O-RING	2		
7	96001-06018-00	FLANGE BOLT SH 6X18	3		

※ Please check the color & stripe information according to the color index !

※N/A = SUBSTITUTE

※Y = EXCHANGEABLE

※N =NOT EXCHANGEABLE



Pictures reference only

PARTS NUMBER	DESCRIPTION	QTY	EFFECTIVE DATE
1 13000-L4A-000	CRANK SHAFT COMP	1	
2 13111-L4A-000	PISTON PIN	1	
3 13201-L4A-000	CONNECTING ROD	1	
4 13322-L4A-000	L.CRANK SHAFT COLLAR	1	
5 13331-L4A-310	BALANCE DRIVE GEAR 39T	1	
6 13380-L4A-000	CRANK PIN	1	
7 90601-L4A-000	PISTON PIN CLIP 20MM	2	
8 90701-HB6-010	WOODRUFF KEY 25X14X4	1	
9 91001-L4A-000	MAIN BRG.UP(37*41*20)	2	
10 91003-L4A-000	CON-ROD BRG.(35*39*21)	2	
11 91003-REA-000	CON-ROD BRG.(37*44*20)	2	
12 96205-12012	CONE TYPE PLUG 12*12	1	

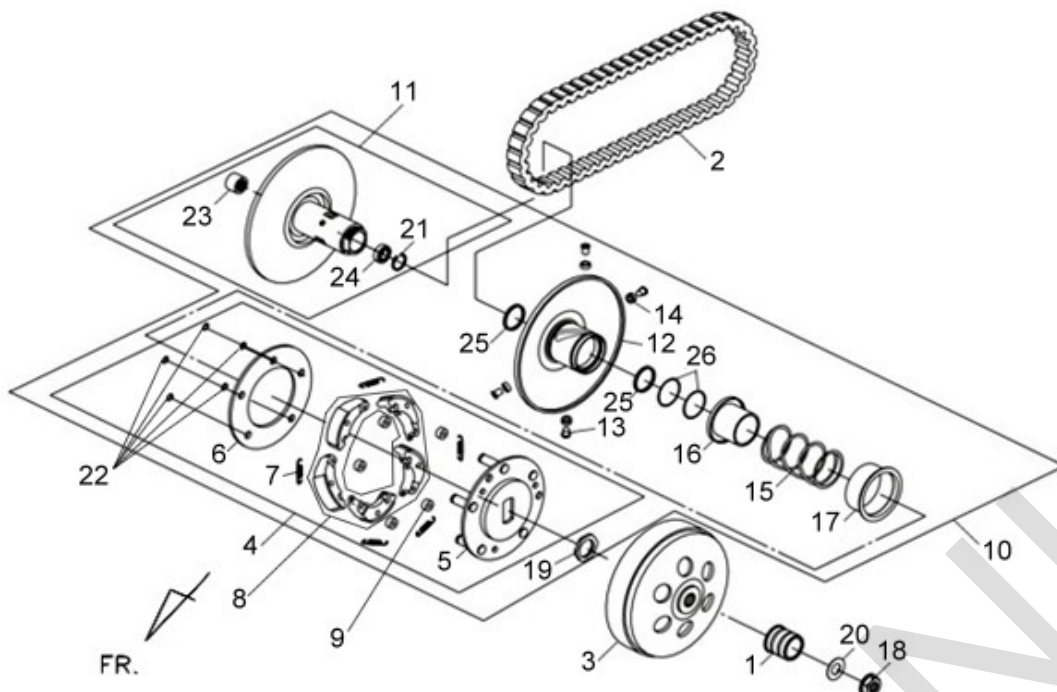
※ Please check the color & stripe information according to the color index !

TEAMWORLD IND. 2012.02

※N/A = SUBSTITUTE

※Y = EXCHANGEABLE

※N =NOT EXCHANGEABLE



Pictures reference only

PARTS NUMBER	DESCRIPTION	QTY	EFFECTIVE DATE
1	1137A-HMA-000	1	
2	1B01L4A01	1	
3	22101-L4A-000	1	
4	22300-L4A-000	1	
5	22350-L4A-000	1	
6	22361-L4A-000	1	
7	22401-L4A-000	5	
8	22530-L4A-000-A	1	
9	22804-L4A-000	5	
10	23010-L4A-000	1	
11	23200-L4A-000	1	
12	23220-L4A-000	1	
13	23225-L4A-000	4	
14	23226-HMA-000	4	
15	23233-L4A-000	1	
16	23237-L4A-000	1	
17	23238-L4A-000	1	
18	90201-KR8-751-M1	1	
19	90202-HMA-000	1	
20	90401-KJ9-000	1	
21	90602-HMA-000	1	
22	90603-L4A-000	5	
23	91006-L4A-300	1	
24	91007-HMA-300	1	
25	91211-HMA-000	2	
26	91305-HMA-000	2	

✘ Please check the color & stripe information according to the color index !

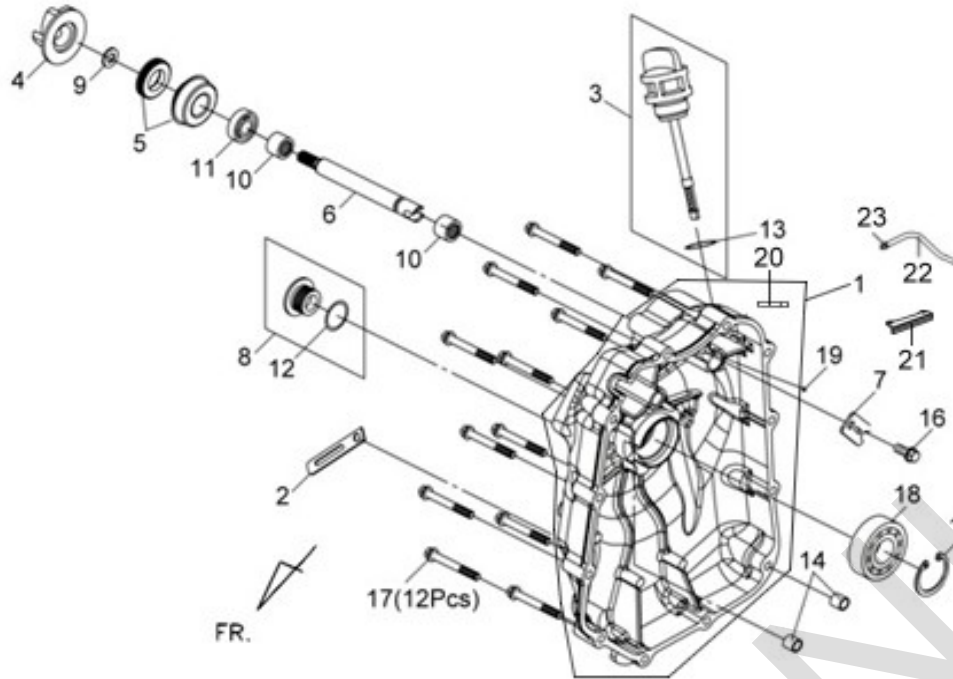
 **TEAMWORLD IND. 2012.02**

✘N/A = SUBSTITUTE

✘Y = EXCHANGEABLE

✘N =NOT EXCHANGEABLE

MOTOMANIA



Pictures reference only

PARTS NUMBER	DESCRIPTION	QTY	EFFECTIVE DATE
1 11330-L4A-000	R CASE COVER COMP S-877C	1	
2 12342-G02-000	CLAMP	1	
3 1565A-L4A-000	OIL LEVEL GAUGE ASSY	1	
4 19215-L4A-000	WATER PUMP IMPELLER	1	
5 19217-H9A-300	MECHANICAL SEAL	1	
6 19231-L4A-000	WATER PUMP SHAFT	1	
7 19233-L4A-000	WATER PUMP SETTING PLATE	1	
8 9008A-H9A-000	A.C.G. CAP ASSY 14MM	1	
9 90423-KJ9-000	WASHER 7.2X13X1.2	1	
10 91004-L4A-000	NEEDLE BEARING HK1010FM	2	
11 91203-L4A-010	OIL SEAL SC 10*18*5	1	
12 91303-377-000	O-RING 13.8X2.5	1	
13 91307-035-000	O-RING 18X3	1	
14 94301-08140	DOWEL PIN 8X14	2	
15 94520-32000	IN. CIR. CLIP	1	
16 96001-06016-00	FLANGE BOLT SH 6X16	1	
17 96001-06035-00	FLANGE SH BOLT 6X35	12	
18 96100-62013-00	RAD.BRG. BALL 6201T/C3	1	
19 96220-30085	ROLLER 3X8.5	1	
20 16215-M9Q-300	JOINT	1	2013/4/15
21 11332-L4A-000	DRAIN TUBE CLAMP	1	2013/8/12
22 11333-L4A-000	R. COVER DRAIN TUBE	1	2013/8/12
23 95002-40730-08	TUBE CLAMP D7.3	1	2013/8/12

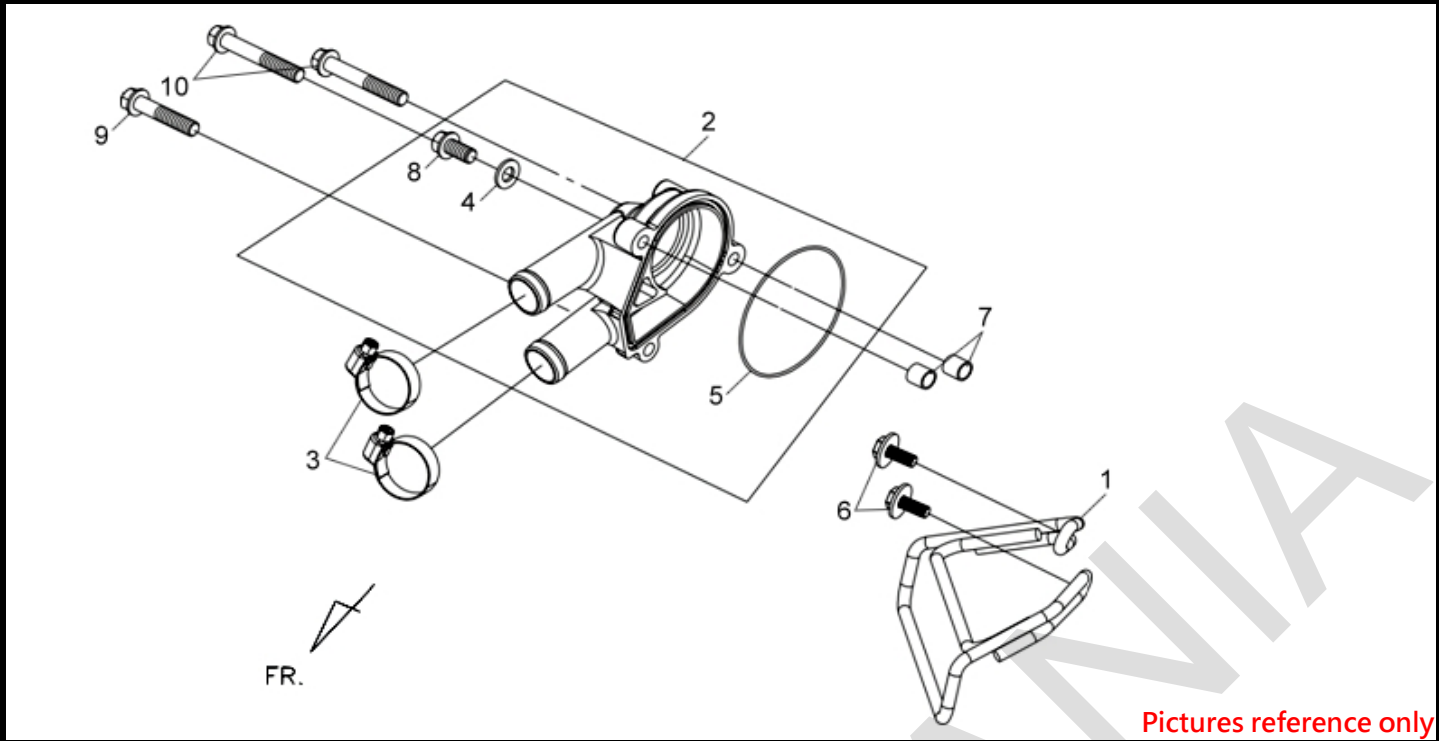
※ Please check the color & stripe information according to the color index !

TEAMWORLD IND. 2012.02

※N/A = SUBSTITUTE

※Y = EXCHANGEABLE

※N =NOT EXCHANGEABLE

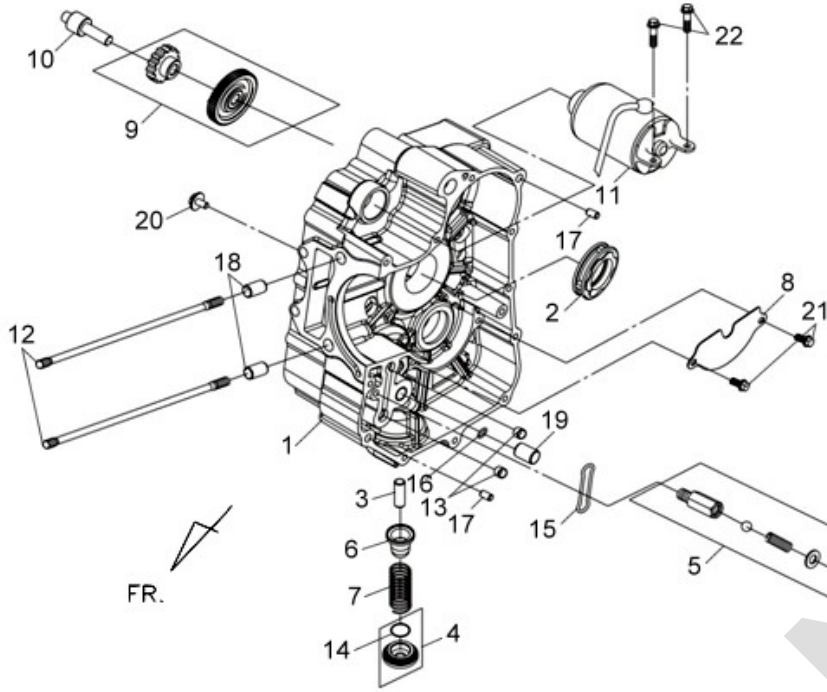


Pictures reference only

PARTS NUMBER	DESCRIPTION	QTY	EFFECTIVE DATE	
1	18241-L4A-000	EXH.PIPE PROTECTOR	1	
2	1922A-L4A-000	WATER PUMP COVER ASSY	1	
3	19505-REA-000	HOSE CLAMP	2	
4	90481-B04-010	WASHER 8.5MM	1	
5	91302-L4A-000	WATER PUMP COVER O-RING	1	
6	93401-06020-07	WASHER BOLT 6*20	2	
7	94301-08140	DOWEL PIN 8X14	2	
8	95701-08012-00	BOLT FLANGE 8X12	1	
9	96001-06025-00	FLANGE BOLT SH 6X25	1	
10	96001-06030-00	FLANGE BOLT SH 6X30	2	

※ Please check the color & stripe information according to the color index !

※N/A = SUBSTITUTE ※Y = EXCHANGEABLE ※N =NOT EXCHANGEABLE



Pictures reference only

PARTS NUMBER	DESCRIPTION	QTY	EFFECTIVE DATE	
1 11100-L4A-010	R.CRANK CASE COMP	1		
2 11102-L4A-300	CRANK CASE BUSH 41MM	1		
3 11106-REA-000	OIL FILTER JOINT	1		
4 1236A-B04-000	TAPPET ADJ. HOLE CAP ASSY	1		
5 15230-REA-000	OIL RELIEF ASSY	1		
6 15421-REA-000	OIL FILTER SCREEN	1		
7 15426-REA-000	OIL FILTER SCREW SPRING	1		
8 15711-L4A-000	OIL SEPARATOR A	1		
8 15711-L4A-002	OIL SEPARATOR A	1	2012/7/20	N
9 28100-L4A-000	STARER RED.GEAR COMP	1		
10 28102-L4A-000	START REDUCTION GEAR SHAFT	1		
11 31200-L4A-000	START MOTOR ASSY	1		
12 90031-L4A-000	CYLINDER STUD BOLT A	2		
13 90701-L4A-000	DOWEL PIN 12*9	2		
14 91303-B08-000	O-RING 35X3	1		
15 91310-REA-000	L.CASE OIL HOLE O-RING	1		
16 91306-N01-010	O-RING 12.5X2	1		
17 94301-08140	DOWEL PIN 8X14	2		
18 94301-12200	DOWEL PIN 12*20	2		
19 94301-14200	DOWEL PIN 14X20	1		
20 96001-06012-00	FLANGE BOLT SH 6X12	1		
21 96001-06014-00	FLANGE BOLT SH 6X14	2		
22 96001-06025-00	FLANGE BOLT SH 6X25	2		

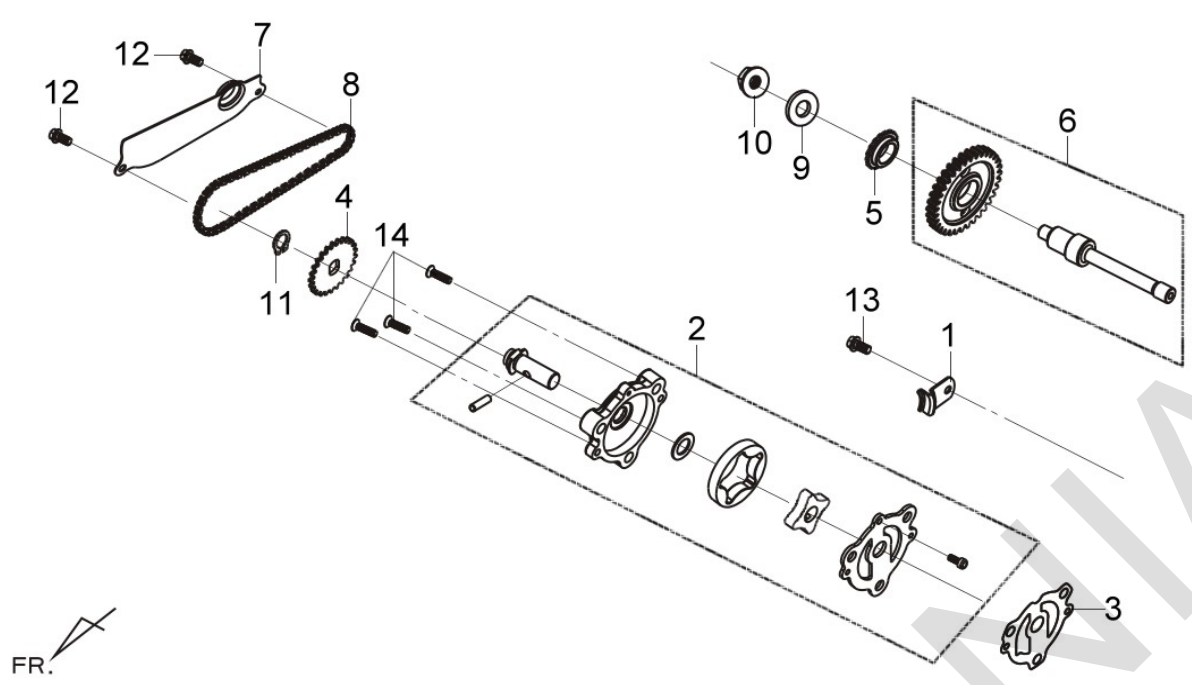
※ Please check the color & stripe information according to the color index !

 TEAMWORLD IND. 2012.02

※N/A = SUBSTITUTE

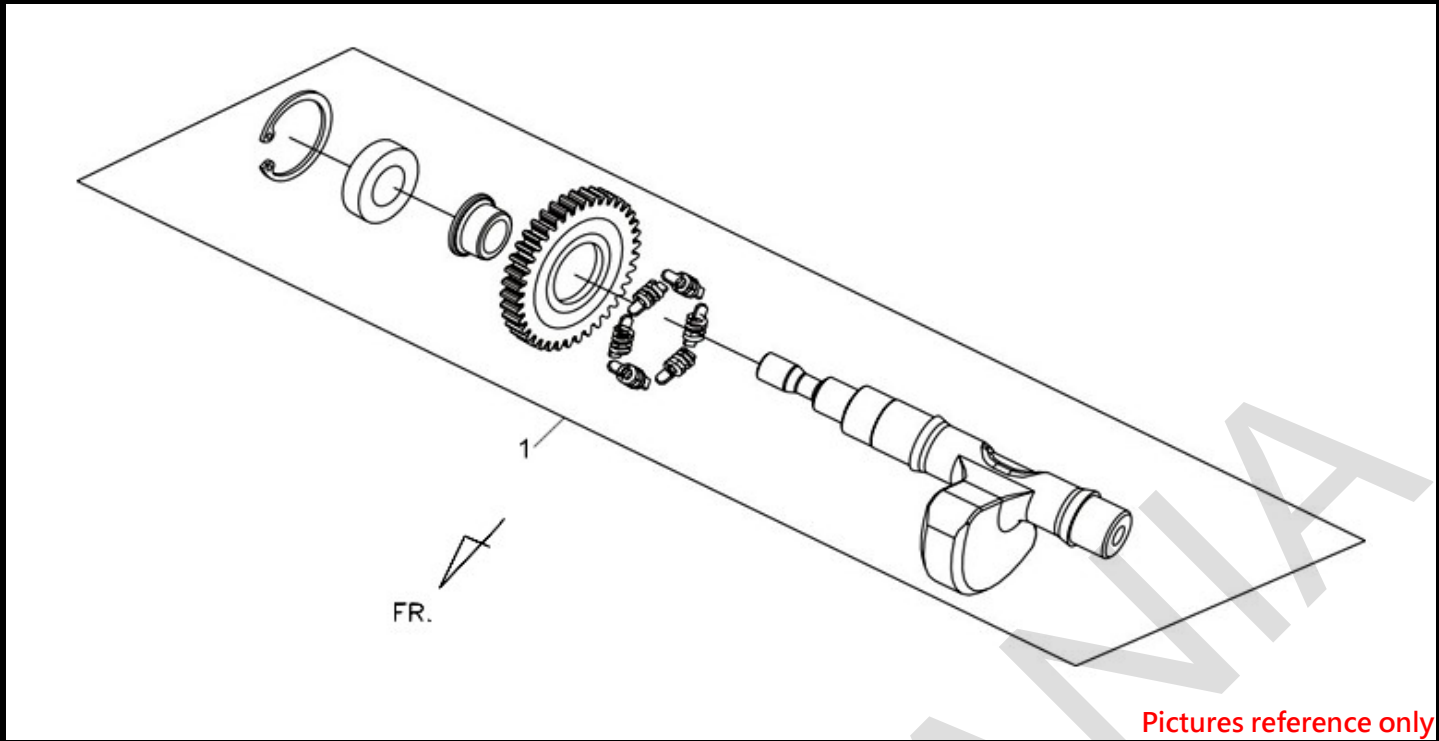
※Y = EXCHANGEABLE

※N =NOT EXCHANGEABLE



Pictures reference only

PARTS NUMBER	DESCRIPTION	QTY	EFFECTIVE DATE
1 14151-L4A-000	CAM CHAIN SETTING PLATE	1	
2 15100-L4A-000	OIL PUMP ASSY	1	
3 15126-L4A-000	OIL PUMP GASKET	1	
4 15133-HMA-000	OIL PUMP DRIVEN SPROCKET	1	
5 15134-L4A-000	OIL PUMP DRIVE SPROCKET	1	
6 1513A-L4A-000	OIL PUMP DRIVE SHAFT COMP	1	
7 15712-L4A-000	OIL SEPARATOR B	1	
8 1C15141-V02-000	PUMP CHAIN(D.I.D) SCR0404SDHx44	1	
9 90442-HMA-000	SEAL WASHER	1	
10 94050-10080	FLANGE NUT 10MM	1	
11 94510-10000	CIR CLIP 10MM	1	
12 96001-06014-00	FLANGE BOLT SH 6X14	2	
13 96001-06012-00	FLANGE BOLT SH 6X12	1	
14 93600-06025-0H	FLAT SCREW 6X25	3	



Pictures reference only

PARTS NUMBER	DESCRIPTION	QTY	EFFECTIVE DATE	
1 13300-L4A-000	BALANCE SHAFT COMP	1		

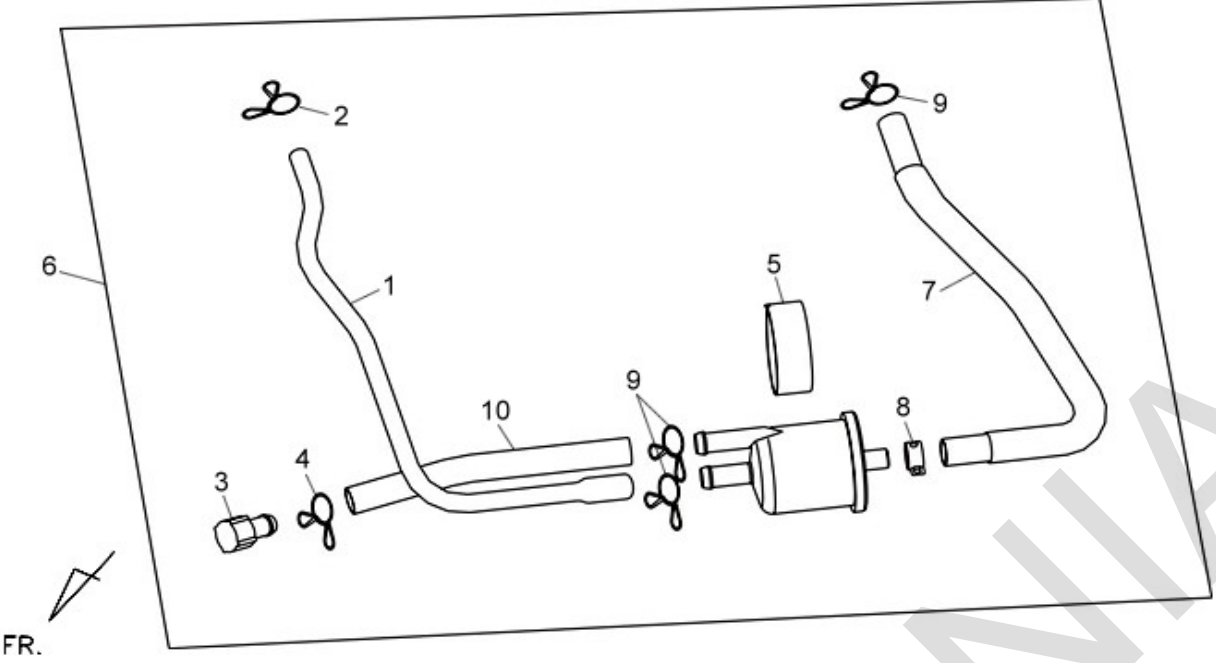
※ Please check the color & stripe information according to the color index !

 TEAMWORLD IND. 2012.02

※N/A = SUBSTITUTE

※Y = EXCHANGEABLE

※N =NOT EXCHANGEABLE

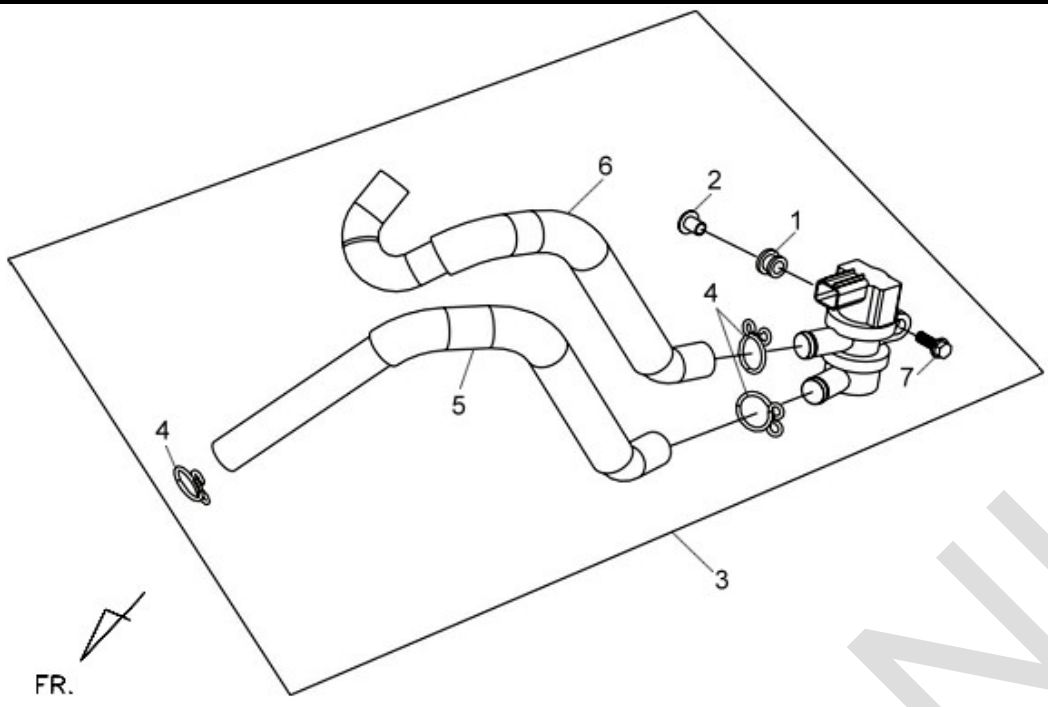


Pictures reference only

PARTS NUMBER	DESCRIPTION	QTY	EFFECTIVE DATE	
1 11211-L4A-000	BREATHER TUBE	1		
2 15772-500-013	BREATHER TUBE CLIP	1		
3 17370-M9Q-000	PLUG,BREATHER TUBE.	1		
4 17371-M9Q-000	BREATHER TUBE CLIP	1		
5 17385-H6A-000	CHAMBER SETTING BAND	1		
6 1738A-L4A-000	BREATHER CHAMPER ASSY	1		
7 17562-L4A-000	BRE.C/CON.T. TUBE	1		
8 90682-V02-900	TUBE CLAMPER D11.5	1		
9 95002-80000	TUBE CLIP C12	3		
10 95003-23028-60	V TUBE 8*12*280	1		
10 95003-23012-60	V TUBE 8*12*120	1	2012/11/26	Y

※ Please check the color & stripe information according to the color index !

※N/A = SUBSTITUTE ※Y = EXCHANGEABLE ※N =NOT EXCHANGEABLE

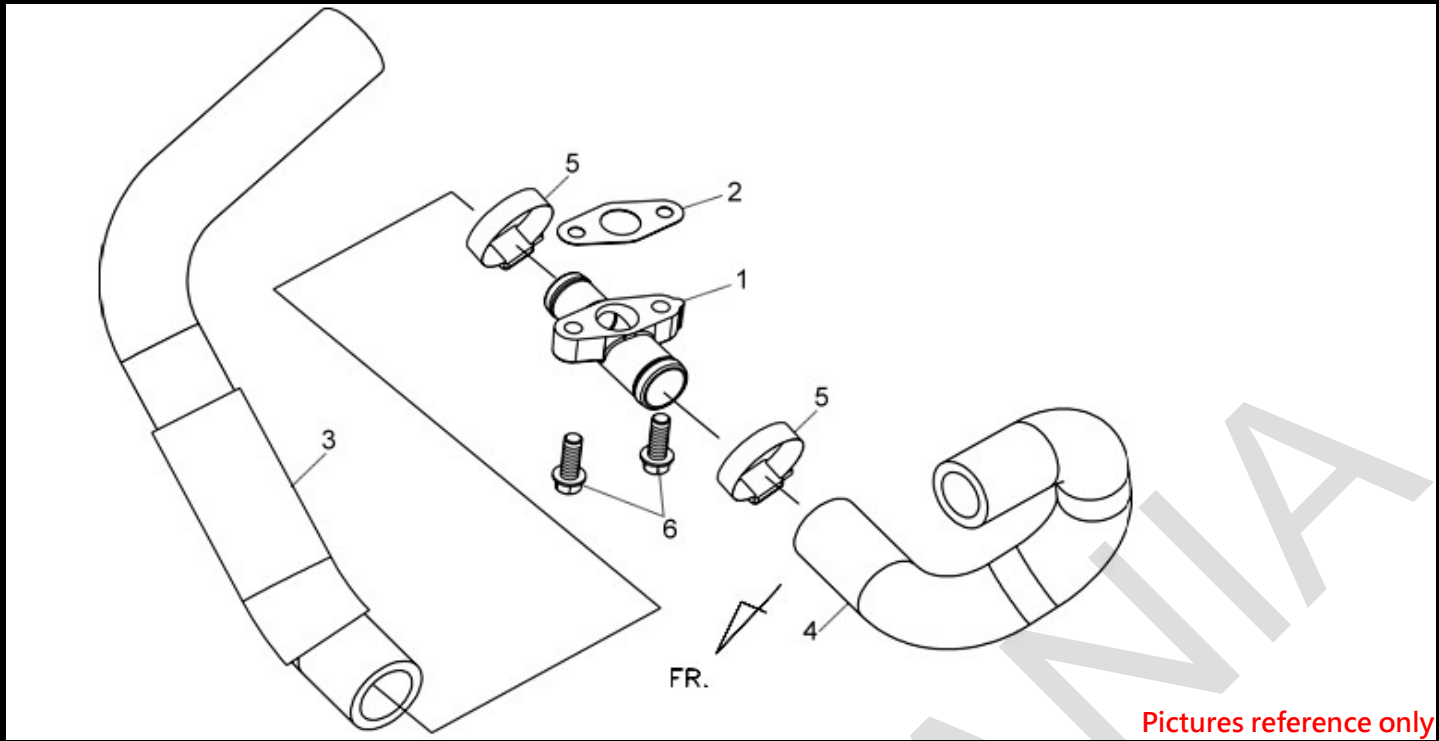


Pictures reference only

PARTS NUMBER		DESCRIPTION	QTY	EFFECTIVE DATE
1	17591-HMC-000	A.I.S.V.RUBBER	1	
2	17592-HMC-000	A.I.S.V.COLLAR	1	
3	1759A-L4A-000	A.I.S.V.SET	1	
4	18533-M7Q-000	AIR HOSE CLIP 19	3	
5	18655-L4A-000	A.I.S.V.REED VALVE TUBE	1	
6	18659-L4A-000	A.I.S.V.AIR TUBE	1	
7	96001-06020-00	FLANGE BOLT SH 6X20	1	

※ Please check the color & stripe information according to the color index !

※N/A = SUBSTITUTE ※Y = EXCHANGEABLE ※N =NOT EXCHANGEABLE

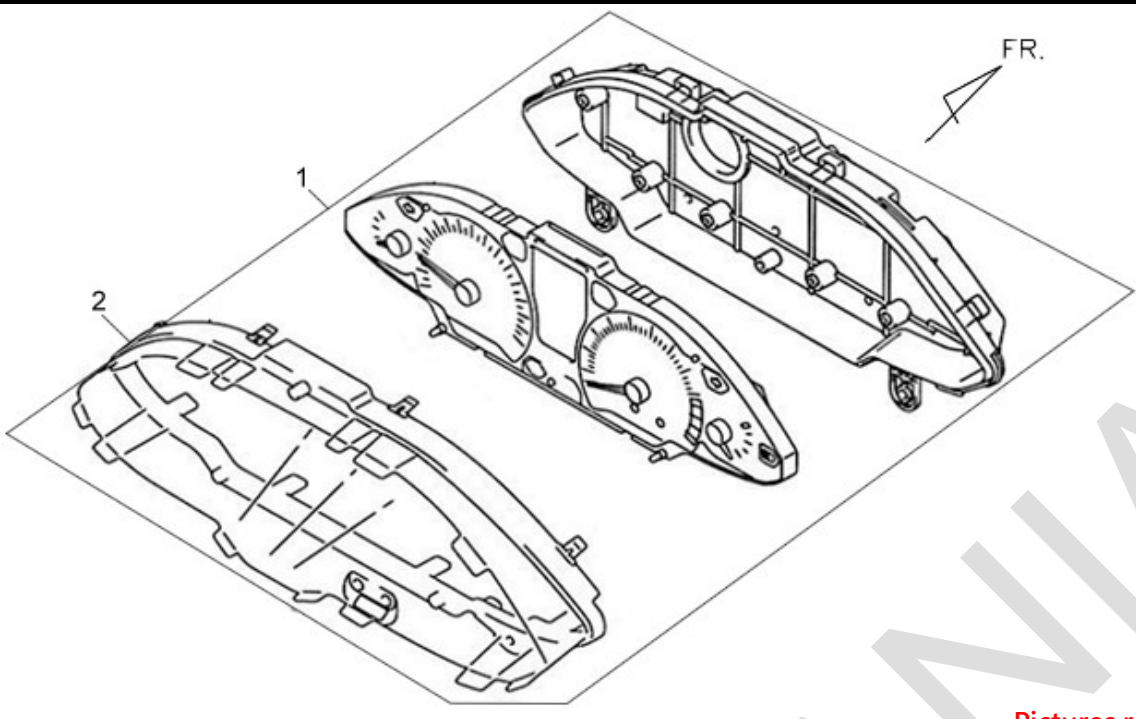


Pictures reference only

PARTS NUMBER		DESCRIPTION	QTY	EFFECTIVE DATE
1	19234-L4A-000	3 WAY JOINT	1	
2	19253-L4A-000	3 WAY JOINT GASKET	1	
3	19502-L4A-000	WATER HOSE B	1	
4	19504-L4A-000	WATER HOSE D	1	
5	19505-REA-000	HOSE CLAMP	2	
6	90001-M9Q-000	FLANGE SHF BOLT 6X22	2	

※ Please check the color & stripe information according to the color index !

※N/A = SUBSTITUTE ※Y = EXCHANGEABLE ※N =NOT EXCHANGEABLE



Pictures reference only

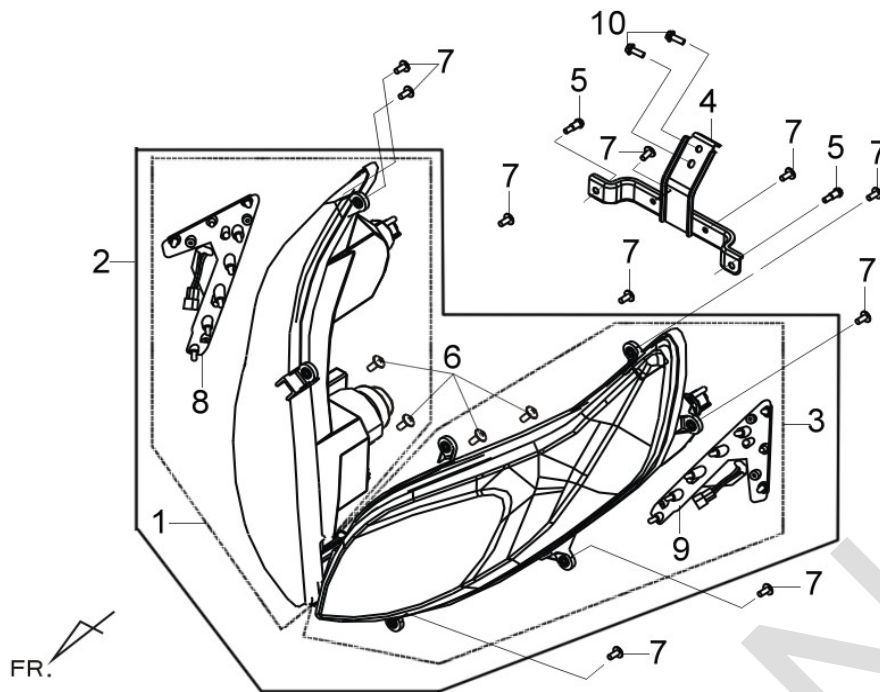
PARTS NUMBER		DESCRIPTION	QTY	EFFECTIVE DATE	
1	37200-L4C-000	SPEEDMETER ASSY	1		
1	37200-L4C-010	SPEEDMETER ASSY	1	2012/4/6	N
1	37200-L4C-020	SPEEDMETER ASSY	1	2013/4/1	N
2	37119-L4C-000	METER LENS	1		

※ Please check the color & stripe information according to the color index !

※N/A = SUBSTITUTE

※Y = EXCHANGEABLE

※N =NOT EXCHANGEABLE



Pictures reference only

PARTS NUMBER		DESCRIPTION	QTY	EFFECTIVE DATE	
1	33100-L4A-000	R.HEAD LIGHT ASSY	1		
1	33100-L4A-010	R.HEAD LIGHT ASSY	1	2013/2/1	Y
1-1	34905-T6R-000	WINKER BULB RR 12V10W(E)	1		
1-2	34901-HMC-000	HEAD LIGHT BULB	1		
2	3310A-L4A-000	HEAD LIGHT SET	1		
2	3310A-L4A-010	HEAD LIGHT SET	1	2013/2/1	Y
2-1	33124-HWA-000	HEAD LIGHT BRKT	1		
3	33150-L4A-000	L.HEAD LIGHT ASSY	1		
3	33150-L4A-010	L.HEAD LIGHT ASSY	1	2013/2/1	Y
3-1	34905-T6R-000	WINKER BULB RR 12V10W(E)	1		
3-2	34901-HMC-000	HEAD LIGHT BULB	1		
4	50310-L4A-000	FR.UNDER SPOILER BRKT	1		
5	90111-N24-000	FLANGE BOLT 6MM	2		
6	93903-24380	TAPPING SCREW 4X12	4		
7	93903-35280	TAPPING SCREW 5X12	10		
8	33415-L4A-000	R.LED UNIT	1		
9	33455-L4A-000	L.LED UNIT	1		
10	95801-06012-08	FLANGE BOLT 6X12	2		

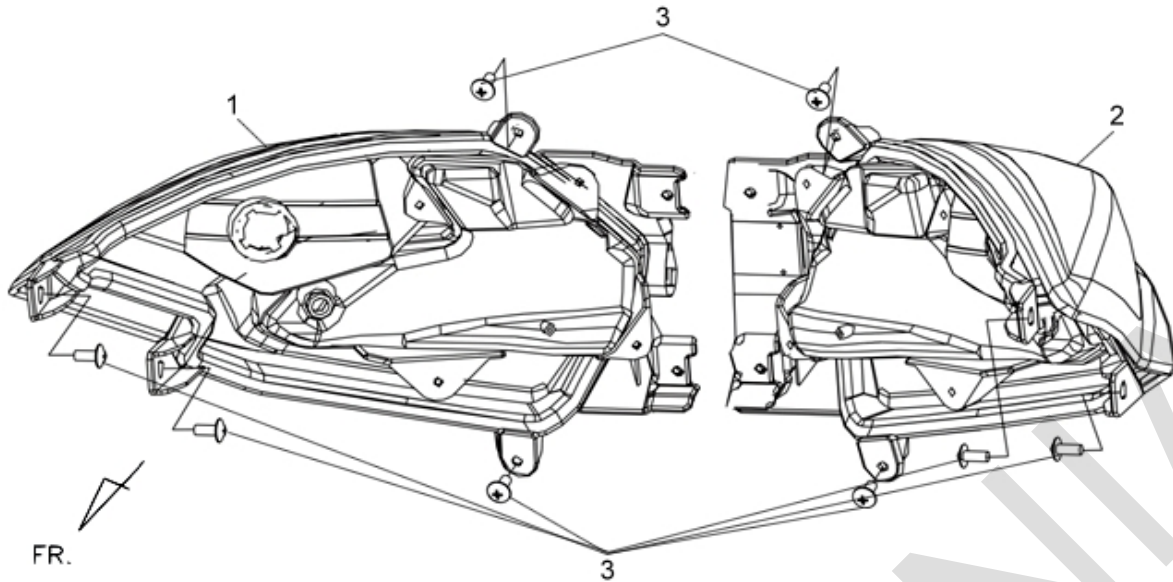
※ Please check the color & stripe information according to the color index !

TEAMWORLD IND. 2012.02

※N/A = SUBSTITUTE

※Y = EXCHANGEABLE

※N =NOT EXCHANGEABLE



Pictures reference only

PARTS NUMBER		DESCRIPTION	QTY	EFFECTIVE DATE
1	33700-L4A-000	R.TAIL LIGHT ASSY	1	
1-1	33705-L4A-000	R. TAIL LIGHT LENS ASSY	1	
1-2	33706-L4A-000	R. TAIL LIGHT LED UNIT	1	
1-3	34905-A8D-000	WINKER BULB(12V10W E MARK)	1	
2	33750-L4A-000	L.TAIL LIGHT ASSY	1	
2-1	33755-L4A-000	L. TAIL LIGHT LENS ASSY	1	
2-2	33756-L4A-000	L. TAIL LIGHT LED UNIT	1	
2-3	34905-A8D-000	WINKER BULB(12V10W E MARK)	1	
3	93903-35280	TAPPING SCREW 5X12	8	

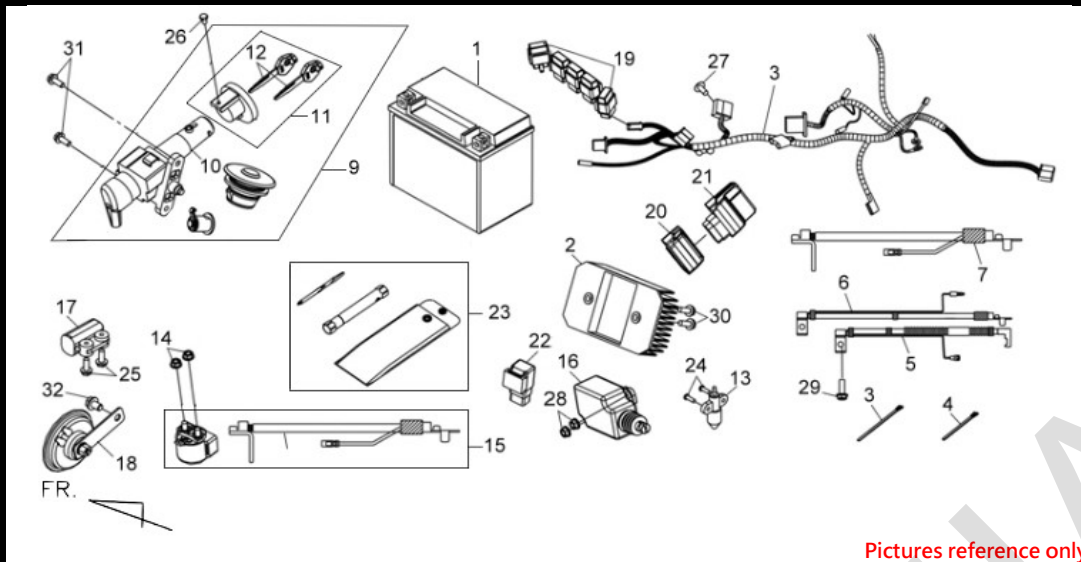
※ Please check the color & stripe information according to the color index !

TEAMWORLD IND. 2012.02

※N/A = SUBSTITUTE

※Y = EXCHANGEABLE

※N =NOT EXCHANGEABLE



PARTS NUMBER	DESCRIPTION	QTY	EFFECTIVE DATE	
1 1Y01L4A01-Y	BATTERY ASSY	1		
2 31600-L4A-000	REG. REC. ASSY	1		
3 32100-L4C-000	WIRE HARNESS	1		
3 32100-L4C-010	WIRE HARNESS	1	2013/3/25	N
4 32160-A3A-900	WIRE BAND 200X8	9		
5 32161-T15-000	BAND 250	2		
6 32411-L4A-000	BATTERY CABLE	1		
7 32412-L4A-000	EARTH CABLE A	1		
8 32415-L4A-000	EARTH CABLE B	1		
9 35010-L4A-000	KEY SET	1		
9 35010-L4A-100	KEY SET	1	2013/4/1	N
10 35100-L4A-000	COMB.SW.ASS'Y	1		
11 35110-L4A-000	SHUTTER COMP	1		
11 35110-L4A-100	SHUTTER COMP	1	2013/4/1	N
12 35111-L4A-000-B01/20	KEY	1		
13 35380-L4A-000	SEAT OPEN LAMP SW	1		
14 35859-M9Q-000	STAR MAG. SW NUT	2		
15 3585A-L4A-000	START MAG. SW. ASSY	1		
16 35880-HMB-000	LINER MOTOR ASSY.	1		
17 36100-MMA-100	ROLL OVER SENSOR ASSY	1		
18 38110-L4A-000	HORN COMP	1		
19 3850A-HLA-010	ELEC. RELAY ASSY.	5		
20 38700-L4A-000	ECU SUSPENSION	1		
21 38710-L4A-000	ENG. CONT UNIT	1		
22 38800-H5B-000	ELECTRIC RELAY UNIT	1		
23 89010-M92-000	TOOL SET	1		
23 89010-L4C-000	TOOL SET	1	2012/11/12	Y
24 93500-04012-0H	PAN SCREW 4X12	2		
25 93891-04022-08	SCREW WASHER 4X22	2		
26 93891-05008-08	WASHER SCREW 5*8	1		
27 93903-24380	TAPPING SCREW 4X12	1		
28 94050-06070	FLANGE NUT 6MM	2		
29 95801-06012-08	FLANGE BOLT 6X12	1		
30 95801-06016-08	FLANGE BOLT 6X16	2		
31 95801-06018-07	FLANGE BOLT	2		
32 95801-08012-07	FLANGE BOLT 8X12	1		

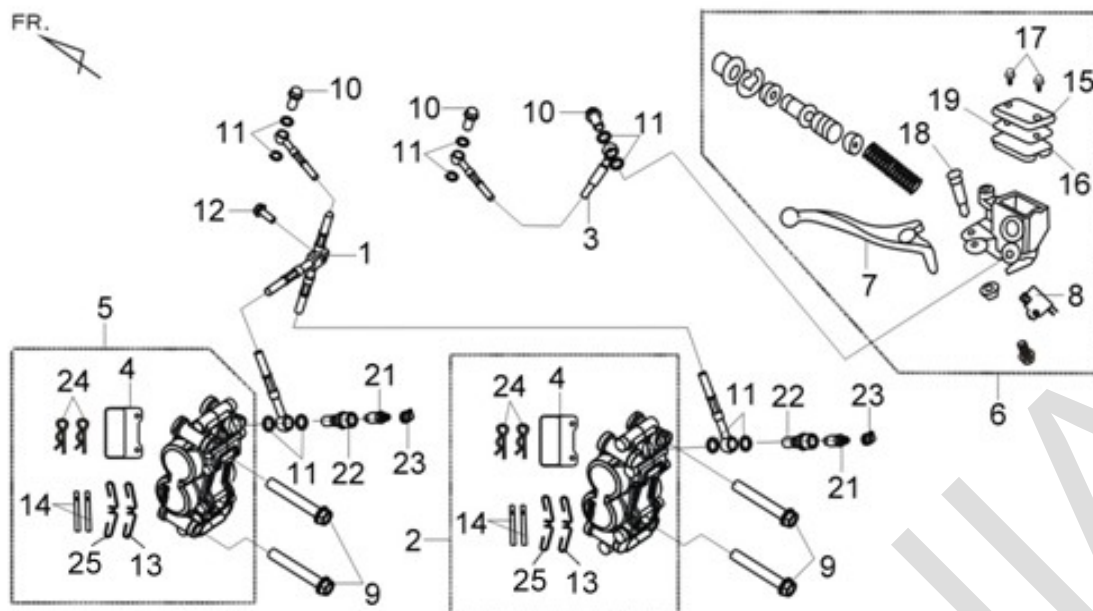
※ Please check the color & stripe information according to the color index !

TEAMWORLD IND. 2012.02

※N/A = SUBSTITUTE

※Y = EXCHANGEABLE

※N =NOT EXCHANGEABLE



Pictures reference only

PARTS NUMBER	DESCRIPTION	QTY	EFFECTIVE DATE	
1 43315-L4C-000	FR CALIPER HOSE	1		
2 45100-L4C-000-DM	RH.FR.CALIPER ASSY GD-7403S	1		
3 45126-L4C-000	FR. BRAKE HOSE	1		
4 45130-L4A-300	RH.FR.PAD ASSY	2		
4 45130-L4A-310	RH.FR.PAD ASSY	2	2012/9/10	
5 45200-L4C-000-DM	LH.FR.CALIPER ASSY GD-7403S	1		
6 45500-L4A-000	FR.M/C ASSY	1		
7 45509-L4A-300	R.HANDLE LEVER SET	1		
8 45514-L4A-300	FR.STOP SW.(R)	1		
9 90102-L4A-000	SOCKET BOLT 10*65	4		
10 90145-M9Q-000	OIL BOLT 10X22	3		
11 90545-M9Q-000	OIL BOLT WASHER	10		
12 95801-06016-07	FLANGE BOLT 6X16	1		
13 45108-L4A-300	M-PAD SPRING	2		
13 45108-L4A-310	RH. M-PAD SPRING	2	2012/9/10	N
14 45113-L4A-300	HANGER PIN	4		
15 43507-L4A-300	MASTER CYLINDER CAP	1		
16 45506-L4A-300	M/C LID GASKET	1		
17 45508-L4A-300	MASTER CYLINDER CAP SCREW	2		
18 45510-L4A-300	HANDLE LEVER SCREW	1		
19 45517-L4A-300	DIAPHRAGM PLATE.	1		
21 45109-L4A-300	BLEEDER SCREW	2		
22 45111-L4A-300	T-SCREW	2		
23 46303-HMA-000	BLEEDER SCREW CAP	2		
24 2V08-0056	COTTER PIN	4		
25 45116-L4A-310	LH. M-PAD SPRING	2	2012/9/10	

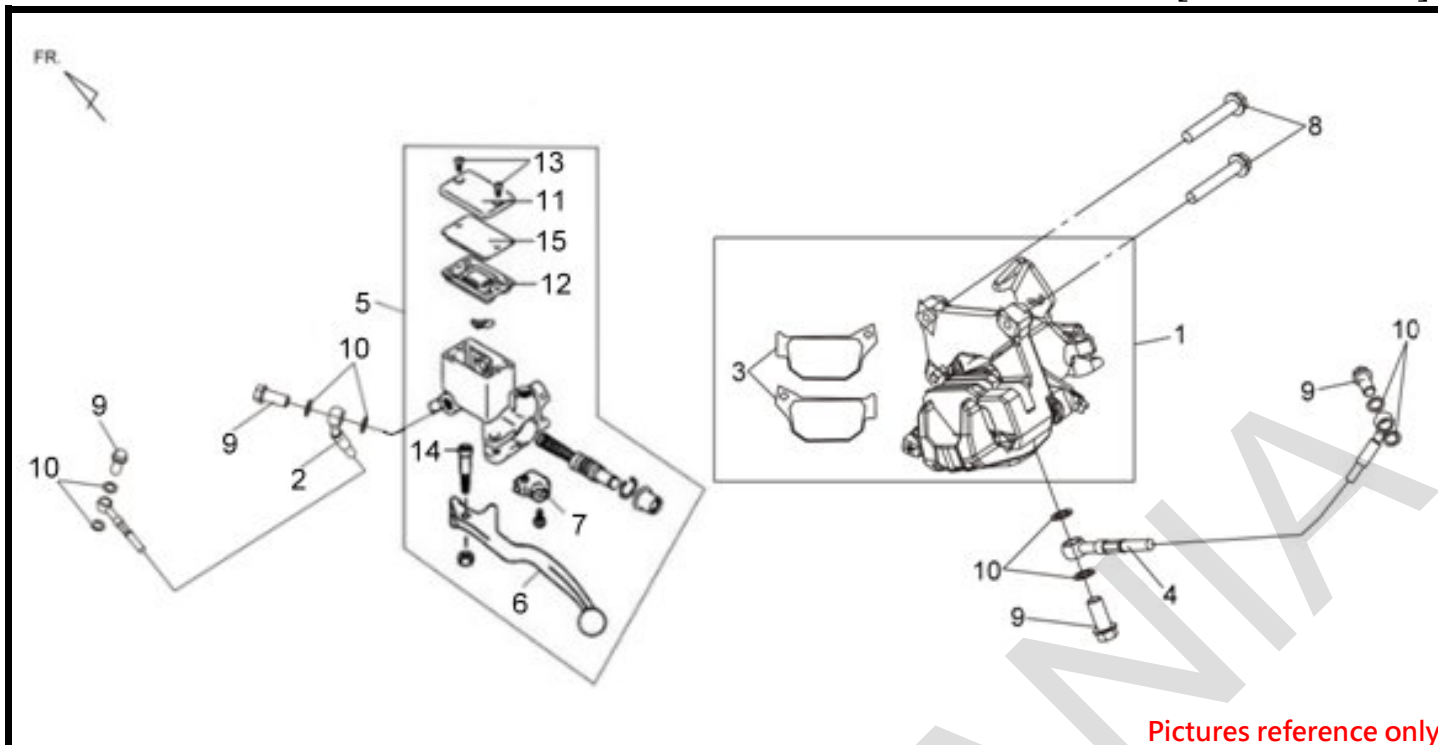
※ Please check the color & stripe information according to the color index !

TEAMWORLD IND. 2012.02

※N/A = SUBSTITUTE

※Y = EXCHANGEABLE

※N = NOT EXCHANGEABLE



Pictures reference only

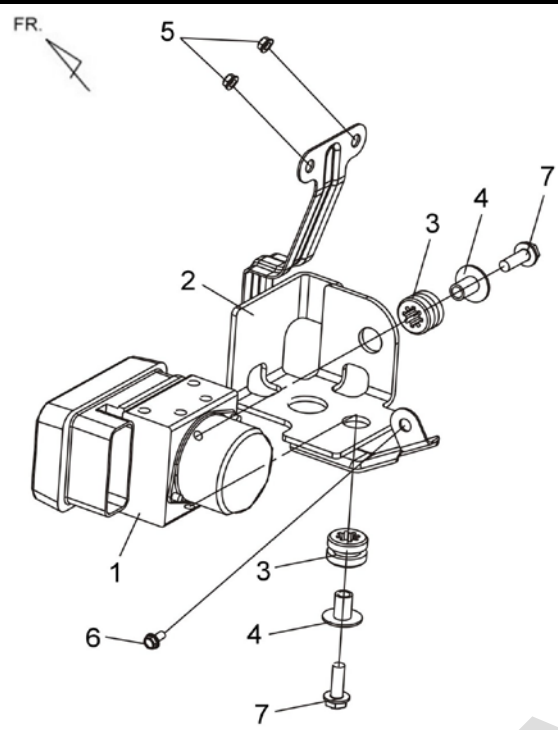
PARTS NUMBER	DESCRIPTION	QTY	EFFECTIVE DATE
1 43100-L4A-000-DM	RR.CALIPER ASSY GD-7403S	1	
2 43126-L4C-000	RR. BRAKE HOSE	1	
3 43140-L4A-300	RR.PAD ASSY	1	
4 43313-L4C-000	RR CALIPER HOSE	1	
5 43500-L4C-000	RR.M/C ASSY	1	
6 43509-L4A-300	L.HANDLE LEVER SET	1	
7 43514-L4A-300	RR.STOP SW.(L)	1	
8 90104-LEA-000	FLANGE BOLT 8X50	2	
9 90145-M9Q-000	OIL BOLT 10X22	4	
10 90545-M9Q-000	OIL BOLT WASHER	8	
11 43507-L4A-300	MASTER CYLINDER CAP	1	
12 45506-L4A-300	M/C LID GASKET	1	
13 45508-L4A-300	MASTER CYLINDER CAP SCREW	2	
14 45510-L4A-300	HANDLE LEVER SCREW	1	
15 45517-L4A-300	DIAPHRAGM PLATE	1	

※ Please check the color & stripe information according to the color index !

※N/A = SUBSTITUTE

※Y = EXCHANGEABLE

※N =NOT EXCHANGEABLE

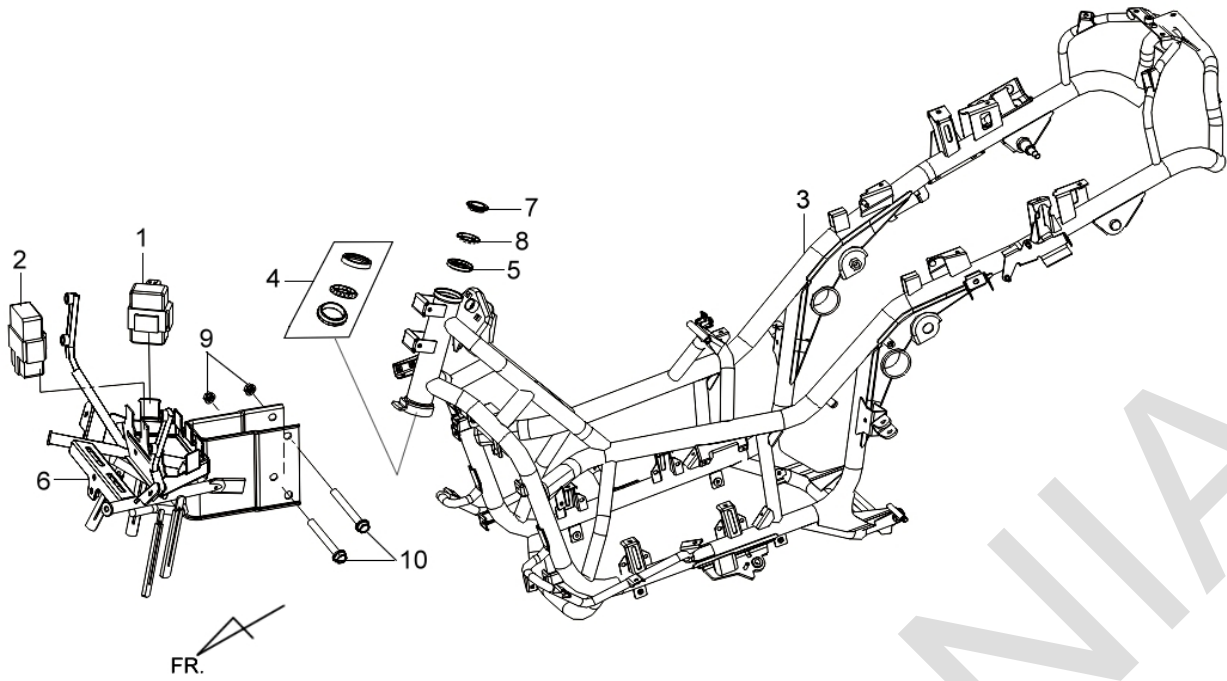


Pictures reference only

PARTS NUMBER	DESCRIPTION	QTY	EFFECTIVE DATE
1 38730-L4C-000	ABS.HYDRAULIC CIRCUIT UNIT	1	
2 38731-L4C-000	ABS. HYDRAULIC UNIT STAY	1	
3 80103-X01-000	RR. FENDER RUBBER	2	
4 80104-X01-000	RR. FENDER COLLAR	2	
5 94050-06070	FLANGE NUT 6MM	2	
6 95801-06012-07	FLANGE BOLT 6X12	1	
7 95801-06020-07	FLANGE BOLT 6*20	2	

※ Please check the color & stripe information according to the color index !

※N/A = SUBSTITUTE ※Y = EXCHANGEABLE ※N =NOT EXCHANGEABLE

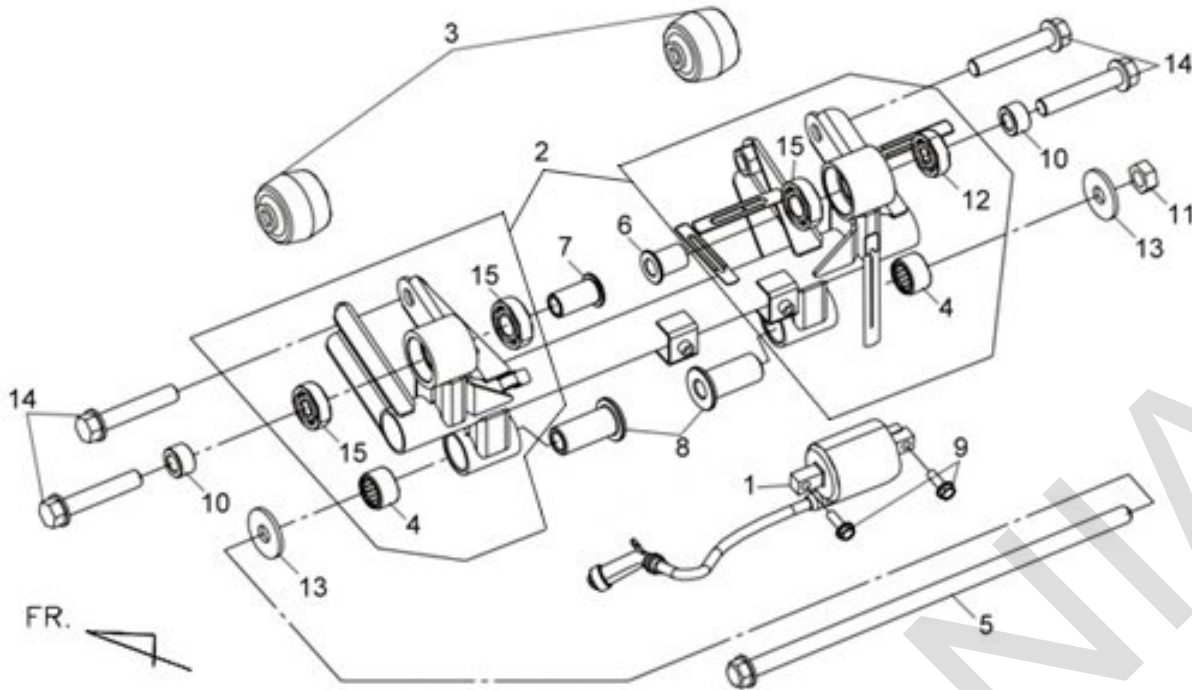


Pictures reference only

PARTS NUMBER	DESCRIPTION	QTY	EFFECTIVE DATE
1 3043A-REA-000	BATTERY OPEN CONTROL ASSY	1	
2 3872A-L4A-000	HAZARD CONTROL UNIT ASSY	1	
3 5010N-L4A-001	FRAME BODY SET BK-001C	1	
4 50300-L4A-000	BALL RACE SET	1	
5 50301-HMA-000	RACE UP STRG BALL	1	
6 50315-L4C-000	FR.COVER STAY	1	
7 53211-HMA-000	STRG. UP CONE RACE	1	
8 53215-HMA-000	STEEL BALL UP ASSY.	1	
9 94050-08080	FLANGE NUT 8MM	2	
10 95801-08065-08	FLANGE BOLT 8X65	2	

※ Please check the color & stripe information according to the color index !

※N/A = SUBSTITUTE ※Y = EXCHANGEABLE ※N =NOT EXCHANGEABLE



Pictures reference only

PARTS NUMBER		DESCRIPTION	QTY	EFFECTIVE DATE
1	3051A-L4C-000	IGNITION COIL ASSY.	1	
2	50350-L4A-000	ENG HANGER LINK ASSY	1	
3	50356-L4A-000	STOPPER RUBBER BUSH	2	
4	50367-L4A-000	NEEDLE ROLLER BRG.	2	
5	90105-L4A-000	ENG HANGER AXLE	1	
6	90107-L4A-000	HANGER COLLAR	1	
7	90108-L4A-000	FR.HANGER COLLAR	1	
8	90109-L4A-000	HANGER UNDER COLLAR	2	
9	90112-M9Q-000	FLANGE BOLT 5*22	2	
10	90121-L4A-000	DISTANCE COLLAR	2	
11	90306-M9Q-000	SELF LOCK NUT 12MM	1	
12	90912-M9Q-000-M1	BEARING 6201LU/2A	1	
13	94103-12800	PLAIN WASHER	2	
14	95801-12065-07	FLANGE BOLT 12*65	4	
15	96150-60033-10	RADIAL BALL BEARING 6003UU	3	

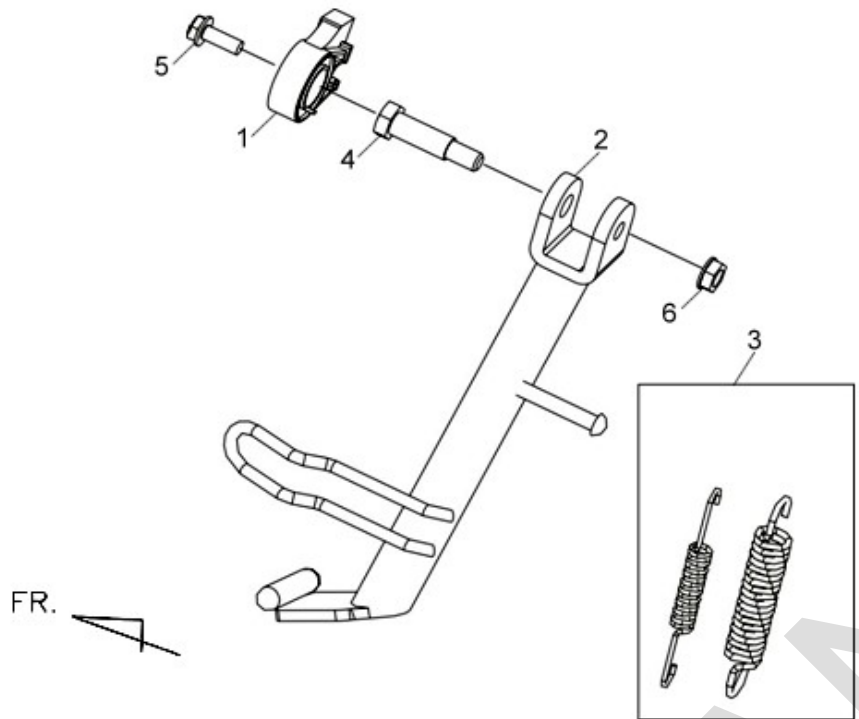
※ Please check the color & stripe information according to the color index !

TEAMWORLD IND. 2011.05

※N/A = SUBSTITUTE

※Y = EXCHANGEABLE

※N =NOT EXCHANGEABLE



Pictures reference only

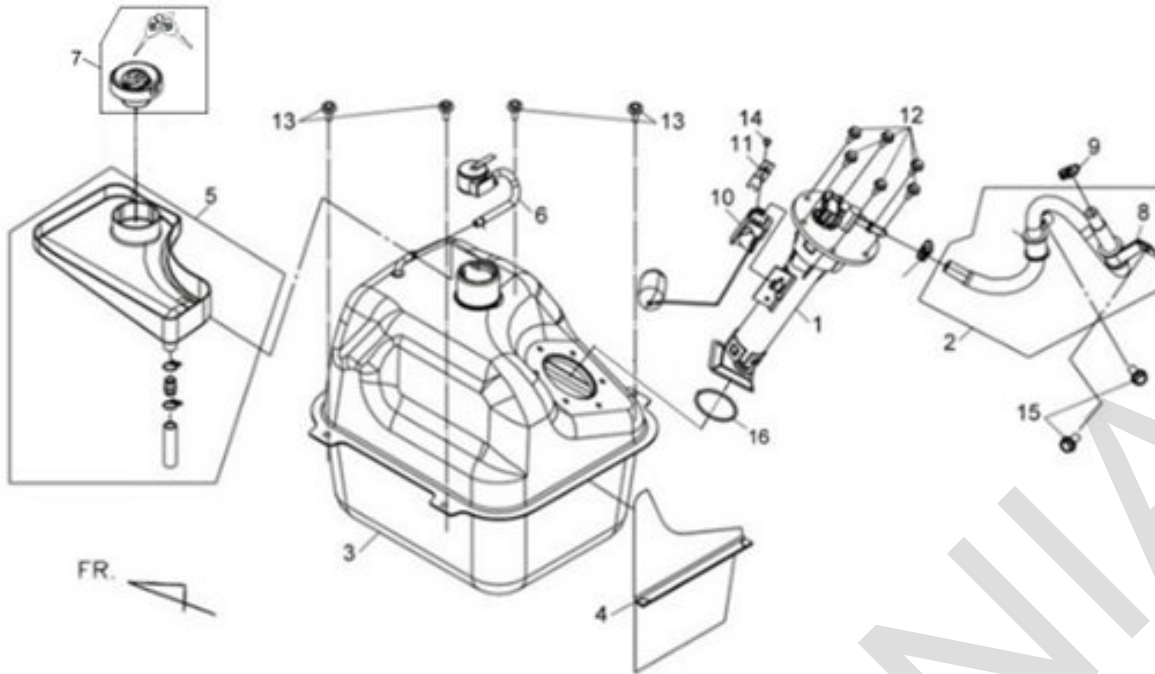
PARTS NUMBER	DESCRIPTION	QTY	EFFECTIVE DATE	
1 36500-HMA-000	SIDE STAND SW COMP	1		
2 50530-L4A-000	SIDE STAND COMP	1		
3 5053A-HMA-000	SIDE STAND SPRING ASSY.	1		
4 90108-HMA-000	SIDE STAND PIVOT SCREW	1		
5 93404-06016-07	BOLT WASHER 6X16	1		
6 94030-08080	HEX NUT 8MM	1		

※ Please check the color & stripe information according to the color index !

※N/A = SUBSTITUTE

※Y = EXCHANGEABLE

※N =NOT EXCHANGEABLE



Pictures reference only

PARTS NUMBER		DESCRIPTION	QTY	EFFECTIVE DATE
1	1670A-L4A-000	FUEL PUMP MODULE ASSY	1	
1-1	16711-M9Q-000	FUEL PUMP FILTER SCREEN	1	
1-2	16712-M9Q-000	PUSH NUT	1	
2	16730-L4A-000	FUEL TUBE	1	
3	17500-L4A-000	FUEL TANK COMP	1	
4	17506-L4A-000	HEAT PROOF PANEL	1	
5	17510-L4A-000	FUEL TANK CAP RUBBER ASSYBK-001U	1	
6	17580-L4C-000	FUEL CUT VALVE ASSY	1	
7	17620-L4A-000	FUEL FILLER CAP COMP	1	
8	17788-L4A-000	FUEL TUBE CLAMP B	2	
9	19505-H5D-000	HOSE CLAMP	2	
10	37800-L4A-000	FUEL UNIT COMP	1	
11	37804-LEA-000	FUEL UNIT STAY	1	
12	90106-LEA-000	FUEL PUMP BOLT	6	
13	93404-06012-07	WASHER BOLT 6X12	4	
14	93903-HGC-000	TAPPING SCREW	1	
15	95801-06012-08	FLANGE BOLT 6X12	2	
16	37801-A5L-000	FUEL FILTER PACKING	1	

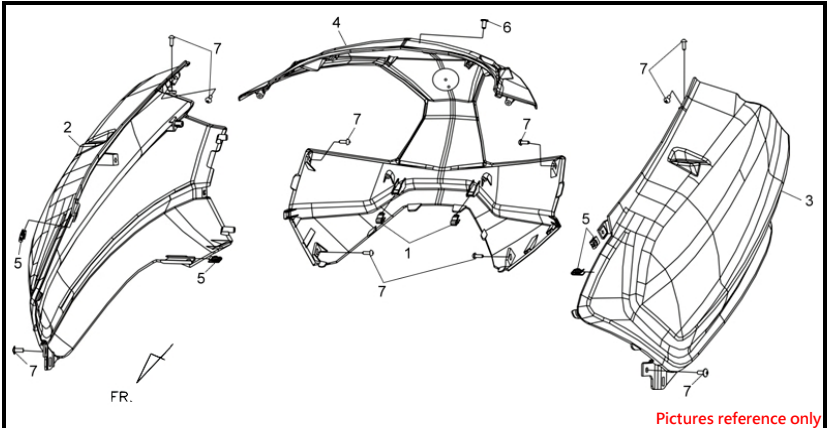
※ Please check the color & stripe information according to the color index !

TEAMWORLD IND. 2011.05

※N/A = SUBSTITUTE

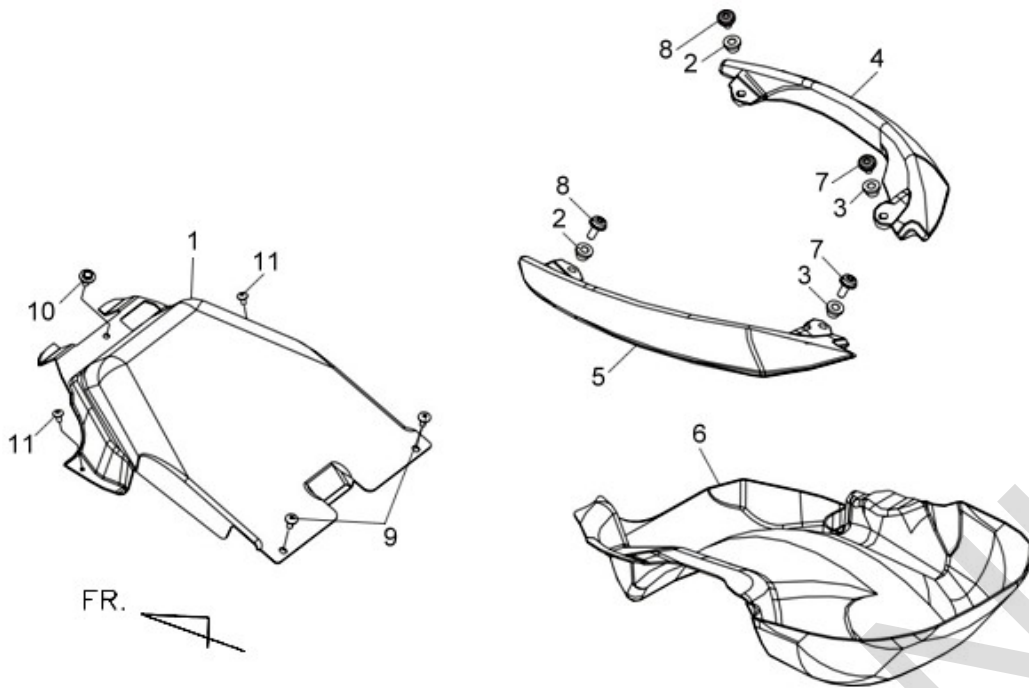
※Y = EXCHANGEABLE

※N =NOT EXCHANGEABLE



PARTS NUMBER	DESCRIPTION	QTY	EFFECTIVE DATE
1 77405-L4A-000	CLIP	2	
2 8350G-L4C-000-KX	R.BODY COVER ASSY BK-231P	1	
2-1 87129-HML-000	i MARK	1	
2-2 87131-L4A-000	RH BODY COVER EMBLEM	1	
2-3 83501-L4C-000	ABS EMBLEM	1	
2 8350G-L4C-000-QU	R.BODY COVER ASSY WH-300P	1	
2-1 87129-HML-000	i MARK	1	
2-2 87131-L4A-000	RH BODY COVER EMBLEM	1	
2-3 83501-L4C-000	ABS EMBLEM	1	
2 8350G-L4C-000-BE	R.BODY COVER ASSY BU-535S	1	
2-1 87129-HML-000	i MARK	1	
2-2 87131-L4A-000	RH BODY COVER EMBLEM	1	
2-3 83501-L4C-000	ABS EMBLEM	1	
2 8350G-L4C-000-IP	R.BODY COVER ASSY GY-517S	1	
2-1 87129-HML-000	i MARK	1	
2-2 87131-L4A-000	RH BODY COVER EMBLEM	1	
2-3 83501-L4C-000	ABS EMBLEM	1	
2 8350G-L4C-000-JH	R. BODY COVER ASSY(BK-001UL)	1	
2-1 87129-HML-000	i MARK	1	
2-2 87131-L4A-000	RH BODY COVER EMBLEM	1	
2-3 83501-L4C-000	ABS EMBLEM	1	
3 8360G-L4C-000-KX	L.BODY COVER ASSY BK-231P	1	
3-1 87129-HML-000	i MARK	1	
3-2 87132-L4A-000	LH BODY COVER EMBLEM	1	
3-3 83501-L4C-000	ABS EMBLEM	1	
3 8360G-L4C-000-QU	L.BODY COVER ASSY WH-300P	1	
3-1 87129-HML-000	i MARK	1	
3-2 87132-L4A-000	LH BODY COVER EMBLEM	1	
3-3 83501-L4C-000	ABS EMBLEM	1	
3 8360G-L4C-000-BE	L.BODY COVER ASSY BU-535S	1	
3-1 87129-HML-000	i MARK	1	
3-2 87132-L4A-000	LH BODY COVER EMBLEM	1	
3-3 83501-L4C-000	ABS EMBLEM	1	
3 8360G-L4C-000-IP	L.BODY COVER ASSY GY-517S	1	
3-1 87129-HML-000	i MARK	1	
3-2 87132-L4A-000	LH BODY COVER EMBLEM	1	
3-3 83501-L4C-000	ABS EMBLEM	1	
3 8360G-L4C-000-JH	L. BODY COVER ASSY(BK-001UL)	1	
3-1 87129-HML-000	i MARK	1	
3-2 87132-L4A-000	LH BODY COVER EMBLEM	1	
3-3 83501-L4C-000	ABS EMBLEM	1	
4 8365G-L4A-000-KX	RR. COVER ASSY BK-231P	1	
4-1 87553-VS1-100	FR.COVER LID EMBLEM	1	
4 8365G-L4A-000-QU	RR. COVER ASSY WH-300P	1	
4-1 87553-VS1-100	FR.COVER LID EMBLEM	1	
4 8365G-L4A-000-BE	RR. COVER ASSY BU-535S	1	
4-1 87553-VS1-100	FR.COVER LID EMBLEM	1	
4 8365G-L4A-000-IP	RR. COVER ASSY GY-517S	1	
4-1 87553-VS1-100	FR.COVER LID EMBLEM	1	
4 8365G-L4A-000-JH	RR. COVER ASSY(BK-001UL)	1	
4-1 87553-VS1-100	FR.COVER LID EMBLEM	1	
5 90308-X04-000	SPECIAL NUT 5MM	4	
6 93891-05012-08	WASHER SCREW 5X12	1	
7 93903-35280	TAPPING SCREW 5X12	10	

※ Please check the color & stripe information according to the color index ! TEAMWORLD IND. 2011.05
 ※N/A = SUBSTITUTE ※Y = EXCHANGEABLE ※N =NOT EXCHANGEABLE



Pictures reference only

PARTS NUMBER		DESCRIPTION	QTY	EFFECTIVE DATE
1	64316-L4A-000	AIR BOX COVER BK-001U	1	
2	81204-L4A-000	RR. GRIP COLLAR A	2	
3	81205-L4A-000	RR. GRIP COLLAR B	2	
4	81310-L4A-000-BE	RH. RR. GRIP BU-535S	1	
4	81310-L4A-000-IP	RH. RR. GRIP GY-517S	1	
4	81310-L4A-000-JH	RH. RR. GRIP(BK-001UL)	1	
4	81310-L4A-000-KX	RH. RR. GRIP BK-231P	1	
4	81310-L4A-000-QU	RH. RR. GRIP WH-300P	1	
5	81320-L4A-000-BE	LH. RR. GRIP BU-535S	1	
5	81320-L4A-000-IP	LH. RR. GRIP GY-517S	1	
5	81320-L4A-000-JH	LH. RR. GRIP(BK-001UL)	1	
5	81320-L4A-000-KX	LH. RR. GRIP BK-231P	1	
5	81320-L4A-000-QU	LH. RR. GRIP WH-300P	1	
6	83630-L4A-000	LUGGAGE BOX MAT	1	
7	90101-L4A-000	SPECIAL BOLT 8MM	2	
8	90105-G19-000	SPECIAL BOLT 8MM	2	
9	90115-G02-000	BOLT 6X16	2	
10	93404-06016-07	BOLT WASHER 6X16	1	
11	93903-35220	SCREW TAPPING 5X12	2	

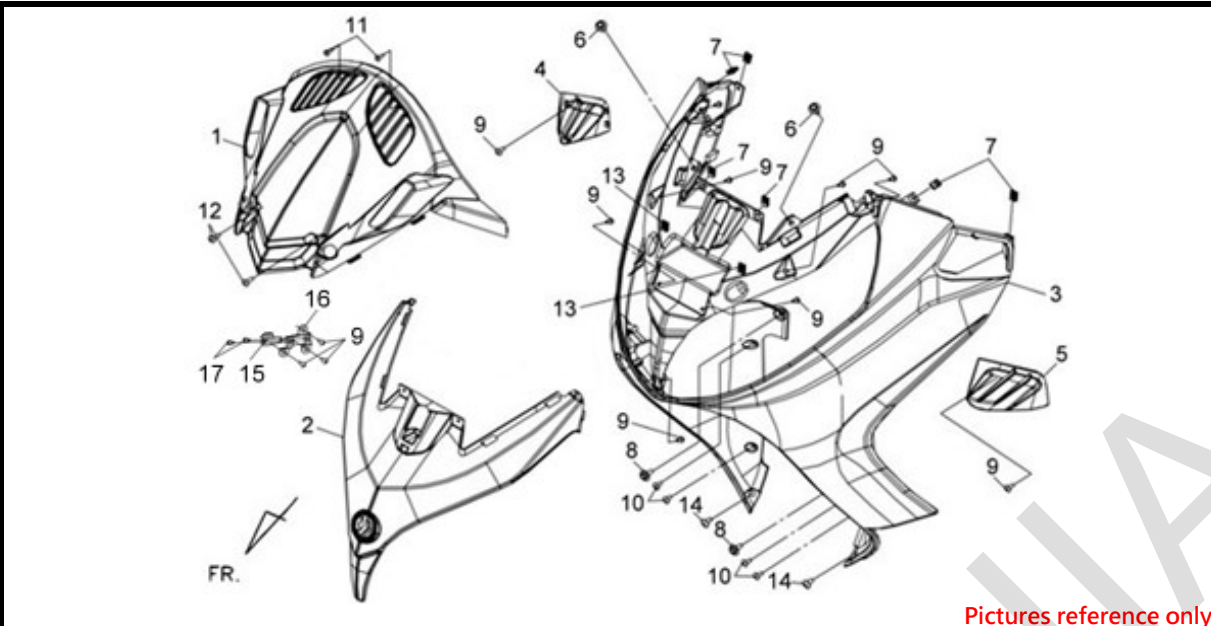
※ Please check the color & stripe information according to the color index !

TEAMWORLD IND. 2011.05

※N/A = SUBSTITUTE

※Y = EXCHANGEABLE

※N =NOT EXCHANGEABLE



Pictures reference only

PARTS NUMBER		DESCRIPTION	QTY	EFFECTIVE DATE
1	53209-L4A-010	METER VISOR BK-001U	1	
2	5320G-L4A-000-KX	FR. UP COVER ASSY. BK-231P	1	
2-1	87553-L4A-000	S LOGO EMBLEM	1	
2	5320G-L4A-000-QU	FR. UP COVER ASSY. WH-300P	1	
2-1	87553-L4A-000	S LOGO EMBLEM	1	
2	5320G-L4A-000-BE	FR. UP COVER ASSY. BU-535S	1	
2-1	87553-L4A-000	S LOGO EMBLEM	1	
2	5320G-L4A-000-IP	FR. UP COVER ASSY. GY-517S	1	
2-1	87553-L4A-000	S LOGO EMBLEM	1	
2	5320G-L4A-000-JH	FR. UP COVER ASSY(BK-001UL)	1	
2-1	87553-L4A-000	S LOGO EMBLEM	1	
3	64301-L4A-000-BE	FR.UNDER SPOILER(BU-353S)	1	
3	64301-L4A-000-IP	FR.UNDER SPOILER(GY-517S)	1	
3	64301-L4A-000-JH	FR. UNDER SPOILER(BK-001UL)	1	
3	64301-L4A-000-KX	FR.UNDER SPOILER(BK-231P)	1	
3	64301-L4A-000-QU	FR.UNDER SPOILER(WH-300P)	1	
4	64306-L4A-000-KA	R.FR COVER GARNISH BK-001U	1	
5	64308-L4A-000-KA	L.FR COVER GARNISH BK-001U	1	
6	90112-N01-000	FLANGE BOLT 6MM	2	
7	90308-X04-000	SPECIAL NUT 5MM	6	
8	93404-06016-07	BOLT WASHER 6X16	2	
9	93903-34380	TAPPING SCREW 4X12	10	
10	93903-35280	TAPPING SCREW 5X12	4	
11	93903-44380	TAPPING SCREW 4X12	2	
12	93903-45380	TAPPING SCREW 5X16	2	
13	95801-06012-08	FLANGE BOLT 6X12	2	
14	90115-REA-000	PLASTIC NUT 6MM	2	
15	38900-L3A-000	AUTO LIGHT SENSOR	1	
16	53215-L4C-000	LIGHT SENSOR STAY	1	
17	93891-04012-08	SCREW WASH 4X12	2	

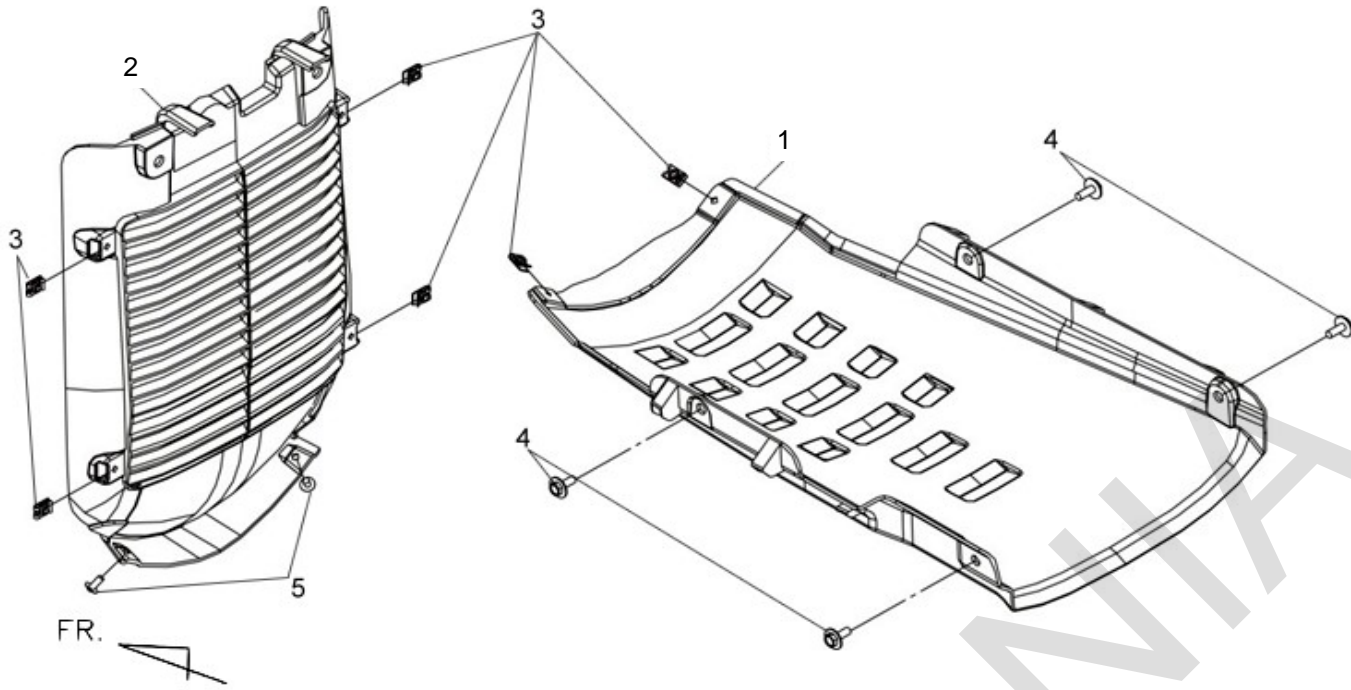
※ Please check the color & stripe information according to the color index !

TEAMWORLD IND. 2011.05

※N/A = SUBSTITUTE

※Y = EXCHANGEABLE

※N =NOT EXCHANGEABLE



Pictures reference only

PARTS NUMBER		DESCRIPTION	QTY	EFFECTIVE DATE
1	64300-L4A-000	UNDER COVER BK-001U	1	
2	64305-L4A-000	RADIATOR COVERBK-001U	1	
3	90308-X04-000	SPECIAL NUT 5MM	6	
4	93404-06016-07	BOLT WASHER 6X16	4	
5	93903-35280	TAPPING SCREW 5X12	2	

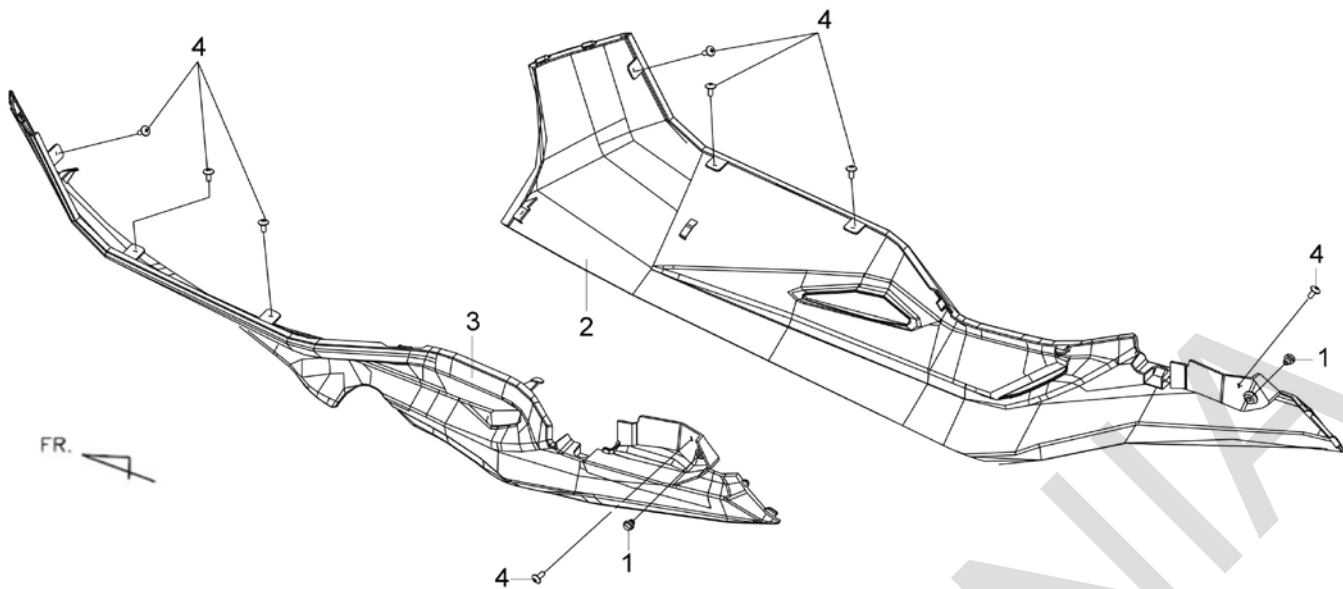
※ Please check the color & stripe information according to the color index !

TEAMWORLD IND. 2011.05

※N/A = SUBSTITUTE

※Y = EXCHANGEABLE

※N =NOT EXCHANGEABLE



Pictures reference only

PARTS NUMBER	DESCRIPTION	QTY	EFFECTIVE DATE
1 53174-RCA-000	STOPPER RUBBER	2	
2 8352A-L4C-000-KX	R SIDE COVER ASSY BK-231P	1	
2-1 83521-L4C-000	SYM MARK (70 STRIPE)	1	
2 8352A-L4C-000-QU	R SIDE COVER ASSY WH-300P	1	
2-1 83521-L4C-000	SYM MARK (70 STRIPE)	1	
2 8352A-L4C-000-BE	R SIDE COVER ASSY BU-535S	1	
2-1 83521-L4C-000	SYM MARK (70 STRIPE)	1	
2 8352A-L4C-000-IP	R SIDE COVER ASSY GY-517S	1	
2-1 83521-L4C-000	SYM MARK (70 STRIPE)	1	
2 8352A-L4C-000-JH	R. SIDE COVER ASSY(BK-001UL)	1	
2-1 83521-L4C-000	SYM MARK (70 STRIPE)	1	
3 8362A-L4C-000-KX	L.SIDE COVER ASSY BK-231P	1	
3-1 83521-L4C-000	SYM MARK (70 STRIPE)	1	
3 8362A-L4C-000-QU	L.SIDE COVER ASSY WH-300P	1	
3-1 83521-L4C-000	SYM MARK (70 STRIPE)	1	
3 8362A-L4C-000-BE	L.SIDE COVER ASSY BU-535S	1	
3-1 83521-L4C-000	SYM MARK (70 STRIPE)	1	
3 8362A-L4C-000-IP	L.SIDE COVER ASSY GY-517S	1	
3-1 83521-L4C-000	SYM MARK (70 STRIPE)	1	
3 8362A-L4C-000-JH	L. SIDE COVER ASSY(BK-001UL)	1	
3-1 83521-L4C-000	SYM MARK (70 STRIPE)	1	
4 93903-35280	TAPPING SCREW 5X12	8	

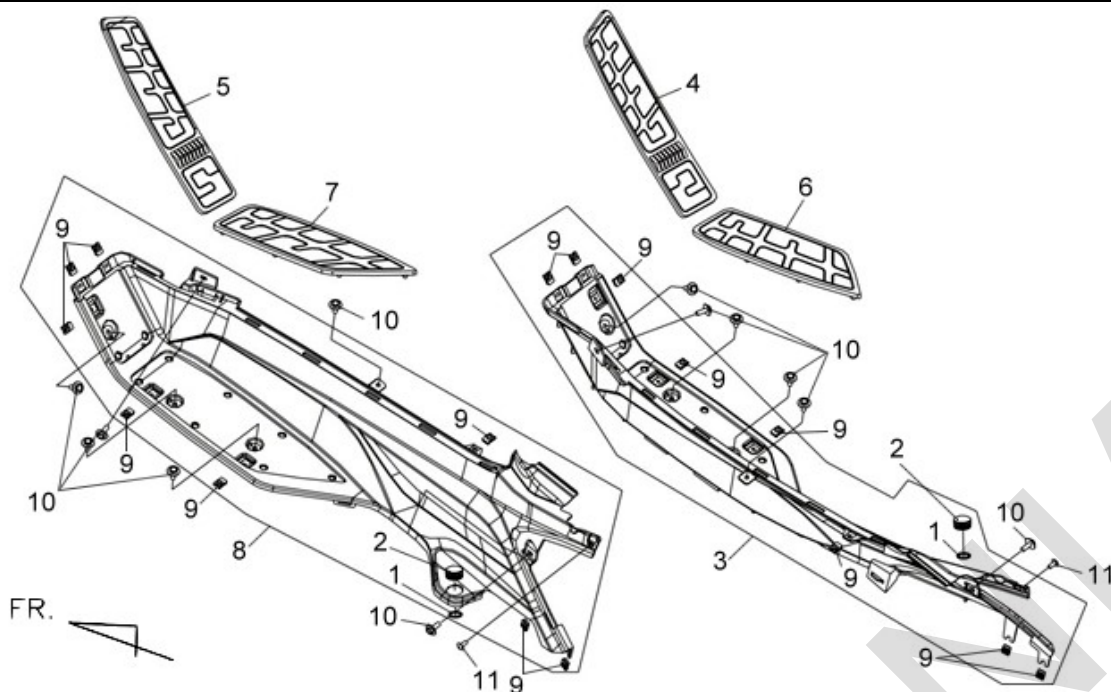
※ Please check the color & stripe information according to the color index !

TEAMWORLD IND. 2011.05

※N/A = SUBSTITUTE

※Y = EXCHANGEABLE

※N =NOT EXCHANGEABLE



Pictures reference only

PARTS NUMBER	DESCRIPTION	QTY	EFFECTIVE DATE
1 64303-LEA-000	PILLION STEP COLLAR	2	
2 64306-LEA-000	PILLION STEP CAP	2	
3 6431A-L4A-000-KA	RH.FLOOR PANEL ASSY.BK-001U	1	
4 64321-L4A-000-KA	RH FLOOR MAT A BK-001U	1	
5 64322-L4A-000-KA	LH FLOOR MAT A BK-001U	1	
6 64323-L4A-000-KA	RH FLOOR MAT B BK-001U	1	
7 64324-L4A-000-KA	LH FLOOR MAT B BK-001U	1	
8 6433A-L4A-000	LH.FLOOR PANEL ASSY.BK-001U	1	
9 90308-X04-000	SPECIAL NUT 5MM	16	
10 93404-06016-07	BOLT WASHER 6X16	12	
11 93903-35220	SCREW TAPPING 5X12	2	

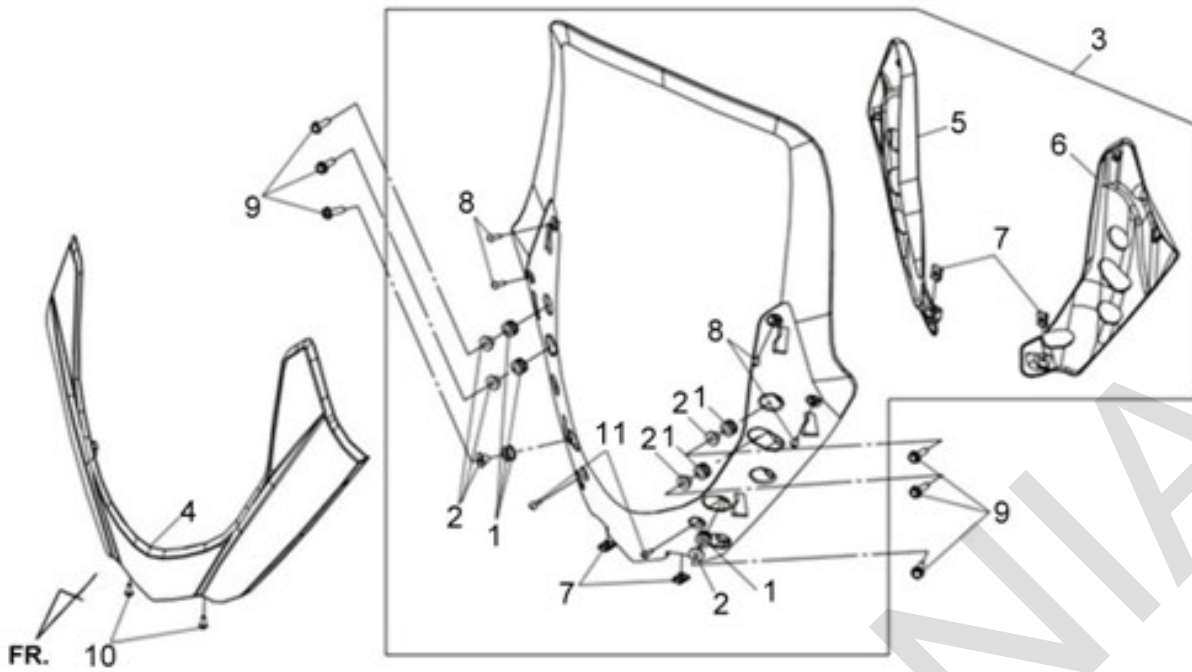
※ Please check the color & stripe information according to the color index !

TEAMWORLD IND. 2011.05

※N/A = SUBSTITUTE

※Y = EXCHANGEABLE

※N =NOT EXCHANGEABLE



Pictures reference only

PARTS NUMBER	DESCRIPTION	QTY	EFFECTIVE DATE	
1 61104-APA-000	FR. FENDER RUBBER	6		
2 61201-APA-000	FR. FENDER COLLR	6		
3 6710A-L4C-000	WIND SCREEN ASSY BK-001U	1		
4 67110-L4A-000-KA	WIND SCREEN GARNISH (BK-001U)	1		
5 67112-L4A-000	RH WIND SCREEN COVER	1		
6 67114-L4A-000	LH WIND SCREEN COVER	1		
7 90302-M92-000	SPRING NUT 4MM	4		
7 90302-HAA-000	SPRING NUT 4MM	4	2012/11/12	Y
8 93903-34280	TAPPING SCREW	4	2013/5/27	
9 95801-06025-07	FLANGE BOLT 6X25	6		
10 93903-44380	TAPPING SCREW 4X12	2		
10 93903-443G0	TAPPING SCREW 4X12	2	2012/11/12	Y
10 93903-344G0	TAPPING SCREW 4X16	2	2013/3/1	Y
11 93903-34380	TAPPING SCREW 4X12	2	2013/5/27	

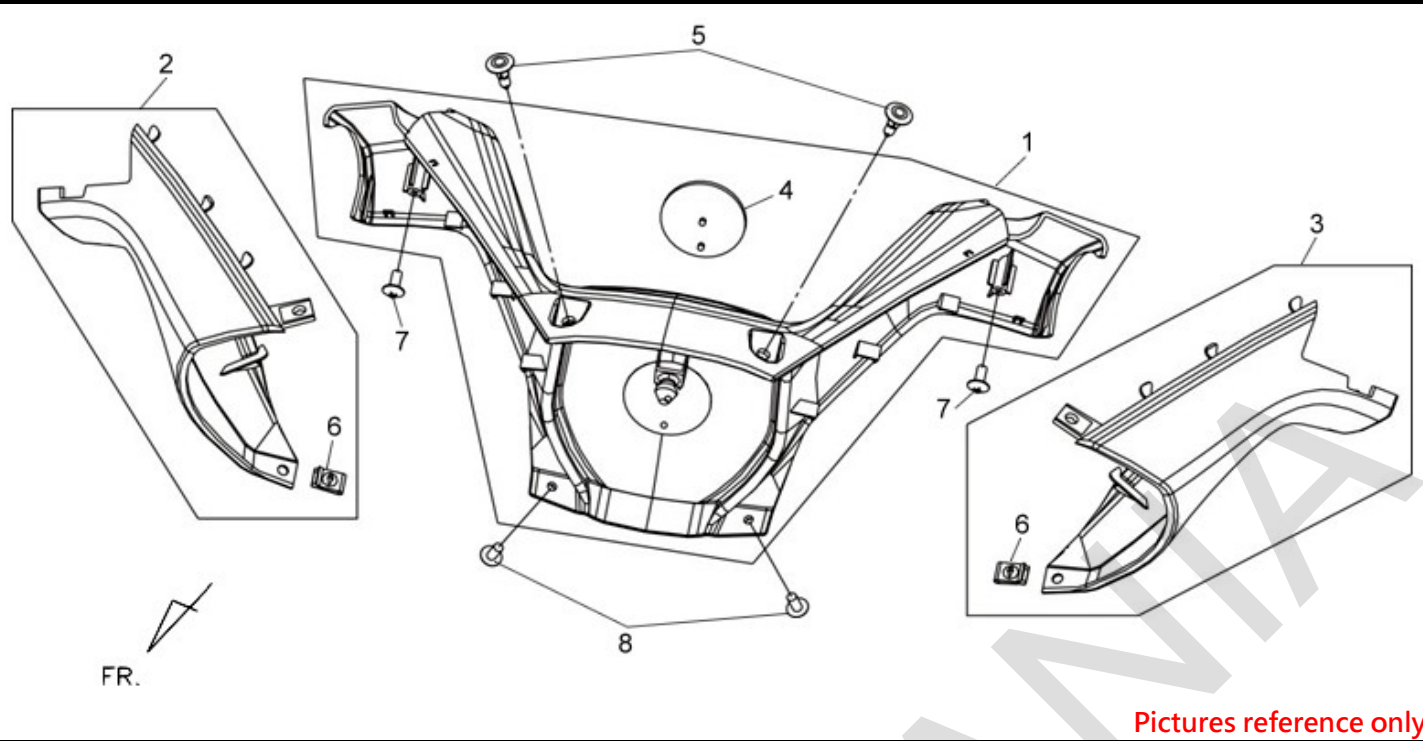
※ Please check the color & stripe information according to the color index !

TEAMWORLD IND. 2011.05

※N/A = SUBSTITUTE

※Y = EXCHANGEABLE

※N =NOT EXCHANGEABLE

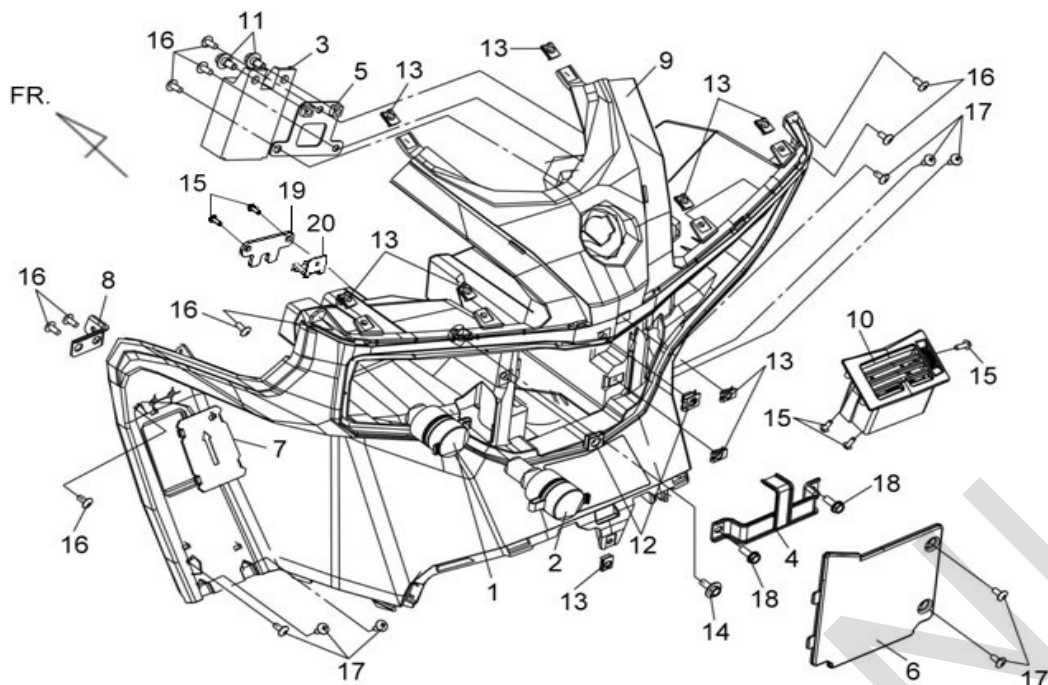


Pictures reference only

PARTS NUMBER		DESCRIPTION	QTY	EFFECTIVE DATE
1	5311A-L4A-000-KX	UPPER HANDLE COVER ASSY BK-231P	1	
1-1	87553-VS1-100	FR.COVER LID EMBLEM	1	
1	5311A-L4A-000-QU	UPPER HANDLE COVER ASSY WH-300P	1	
1-1	87553-VS1-100	FR.COVER LID EMBLEM	1	
1	5311A-L4A-000-BE	UPPER HANDLE COVER ASSY BU-535S	1	
1-1	87553-VS1-100	FR.COVER LID EMBLEM	1	
1	5311A-L4A-000-IP	UPPER HANDLE COVER ASSY GY-517S	1	
1-1	87553-VS1-100	FR.COVER LID EMBLEM	1	
1	5311A-L4A-000-JH	UPPER HANDLE COVER ASSY(BK-001UL)	1	
1-1	87553-VS1-100	FR.COVER LID EMBLEM	1	
2	5312A-L4A-000	LOWER R HANDLE COVER ASSY BK-001U	1	
3	5312B-L4A-000	LOWER L HANDLE COVER ASSY BK-001U	1	
4	87553-VS1-100	FR.COVER LID EMBLEM	1	
5	90115-REA-000	PLASTIC NUT 6MM	2	
6	90308-X04-000	SPECIAL NUT 5MM	2	
7	93903-35280	TAPPING SCREW 5X12	2	
8	93903-35380	TAPPING SCREW 5X16	2	

※ Please check the color & stripe information according to the color index !

※N/A = SUBSTITUTE ※Y = EXCHANGEABLE ※N =NOT EXCHANGEABLE



Pictures reference only

PARTS NUMBER	DESCRIPTION	QTY	EFFECTIVE DATE
1 38600-L4A-000	DC. POWER OUTLET ASSY	1	
2 38650-L4A-000	USB CHARGE UNIT	1	
3 38901-L4C-000	AUTO LIGHT UNIT	1	
4 50548-L4A-000	BATTERY BAND	1	
5 53216-L4C-000	LIGHT SYSTEM STAY	1	
6 8114A-L4A-000	BATTERY BOX COVER ASSY BK-001U	1	
7 81145-L4A-000	RESERVE TANK LID	1	
8 81147-L4A-000	RESERVE TANK STAY	1	
9 81231-L4A-010-KA	FR. INNER BOX BK-001U	1	
10 8124A-L4C-000	AIR DUCT ASSY	1	
11 90111-M9Q-900	FLANGE BOLT(MFZn2-C)6MM	2	
12 90305-M9Q-000	CLIP NUT 6MM	2	
13 90308-X04-000	SPECIAL NUT 5MM	9	
14 93404-06016-08	BOLT WASHER 6X16	1	
15 93903-34380	TAPPING SCREW 4X12	5	
16 93903-35280	TAPPING SCREW 5X12	9	
17 93903-45280	TAPPING SCREW 5X12	8	
18 95801-06016-08	FLANGE BOLT 6X16	2	
19 81149-L4A-000	FUSE BOX STAY	1	
20 81159-L4A-000	FUSE CASE STAY	1	

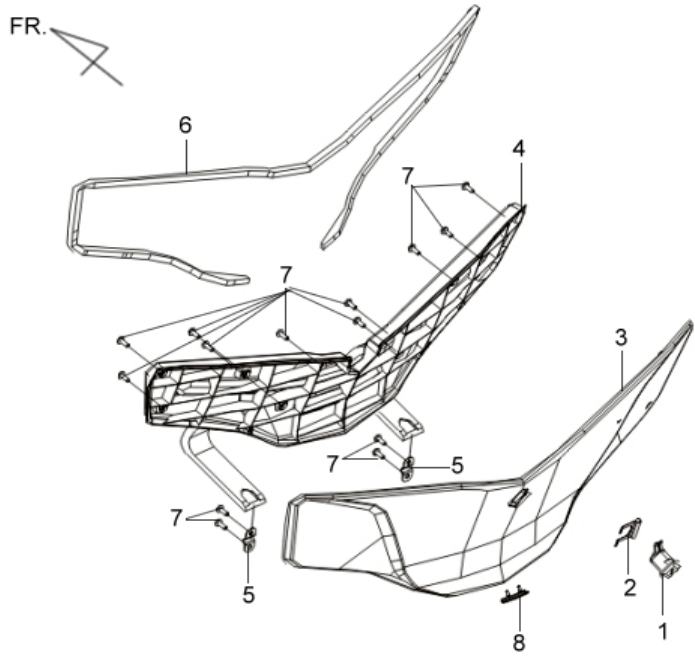
※ Please check the color & stripe information according to the color index !

TEAMWORLD IND. 2011.05

※N/A = SUBSTITUTE

※Y = EXCHANGEABLE

※N =NOT EXCHANGEABLE

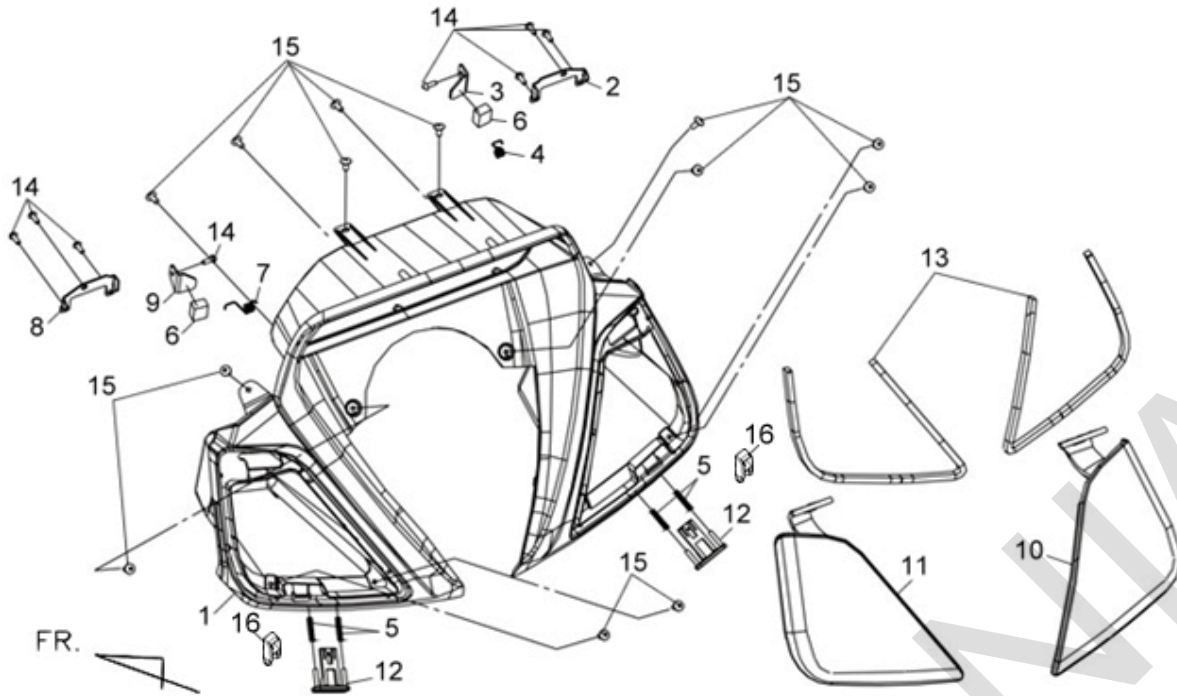


Pictures reference only

PARTS NUMBER	DESCRIPTION	QTY	EFFECTIVE DATE
1 77233-L4A-000	INNER BOX LOCK ASSY	1	
2 75581-A16-000	LOCK KEY SET SPRING	1	
3 81141-L4A-000-BE	INNER BOX LID GY-517S	1	
3 81141-L4A-000-IP	INNER BOX LID GY-517S	1	
3 81141-L4A-000-JH	INNER BOX LID(BK-001UL)	1	
3 81141-L4A-000-KX	INNER BOX LID BK-231P	1	
3 81141-L4A-000-QU	INNER BOX LID WH-300P	1	
4 81142-L4A-000	INNER BOX LID STIFFENER(BK-001U)	1	
5 81146-L4A-000	INNER BOX LID HANGE STAY	2	
6 81148-L4A-000	INNER BOX SEAL	1	
7 93903-34380	TAPPING SCREW 4X12	14	
8 81144-L4A-000	INNER BOX LID RUBBER	1	

※ Please check the color & stripe information according to the color index !

※N/A = SUBSTITUTE ※Y = EXCHANGEABLE ※N =NOT EXCHANGEABLE



Pictures reference only

PARTS NUMBER	DESCRIPTION	QTY	EFFECTIVE DATE	
1 53208-L4A-000-KA	METER PANEL BK-001U	1		
1 53208-L4A-005-KA	METER PANEL BK-001U	1	2011/07/07	N
2 53222-L4A-000	COIN BOX LID HINGE STAY	1		
2 53222-L4A-001	COIN BOX LID HINGE STAY	1	2011/07/07	N
3 53223-L4A-000	STOPPER RUBBER STAY	1		
3 53223-L4A-001	STOPPER RUBBER STAY	1	2011/07/07	N
4 53224-L4A-000	R.SPRING A	1		
5 53228-L4A-000	SPRING B	4		
6 53229-L4A-000	STOPPER RUBBER	2		
7 53230-L4A-000	L.SPRING A	1		
8 53232-L4A-000	L.COIN BOX LID HINGE STAY	1		
8 53232-L4A-001	L.COIN BOX LID HINGE STAY	1	2011/07/07	N
9 53233-L4A-000	L.STOPPER RUBBER STAY	1		
9 53233-L4A-001	L.STOPPER RUBBER STAY	1	2011/07/07	N
10 81151-L4A-000	COIN BOX RH. LID BK-001U	1		
11 81152-L4A-000	COIN BOX LH. LID BK-001U	1		
12 81153-L4A-000	RH.COIN BOX LID BUTTON BK-001U	2		
13 81156-L4A-000	COIN BOX SEAL A	2		
14 93903-34280	TAPPING SCREW	8		
15 93903-35280	TAPPING SCREW 5X12	13		
16 81155-L4A-000	COIN BOX HOOK	2		

※ Please check the color & stripe information according to the color index !

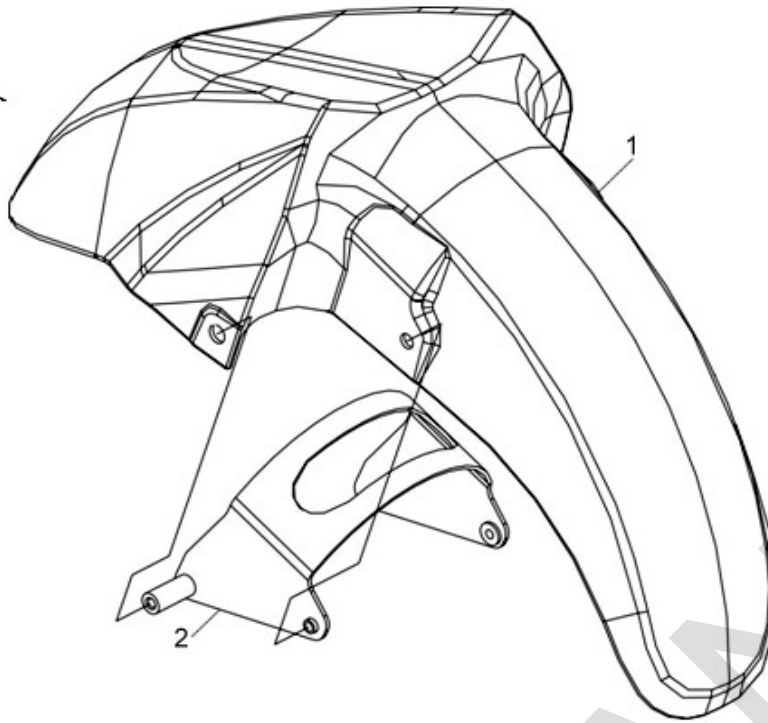
TEAMWORLD IND. 2011.05

※N/A = SUBSTITUTE

※Y = EXCHANGEABLE

※N =NOT EXCHANGEABLE

FR. 



Pictures reference only

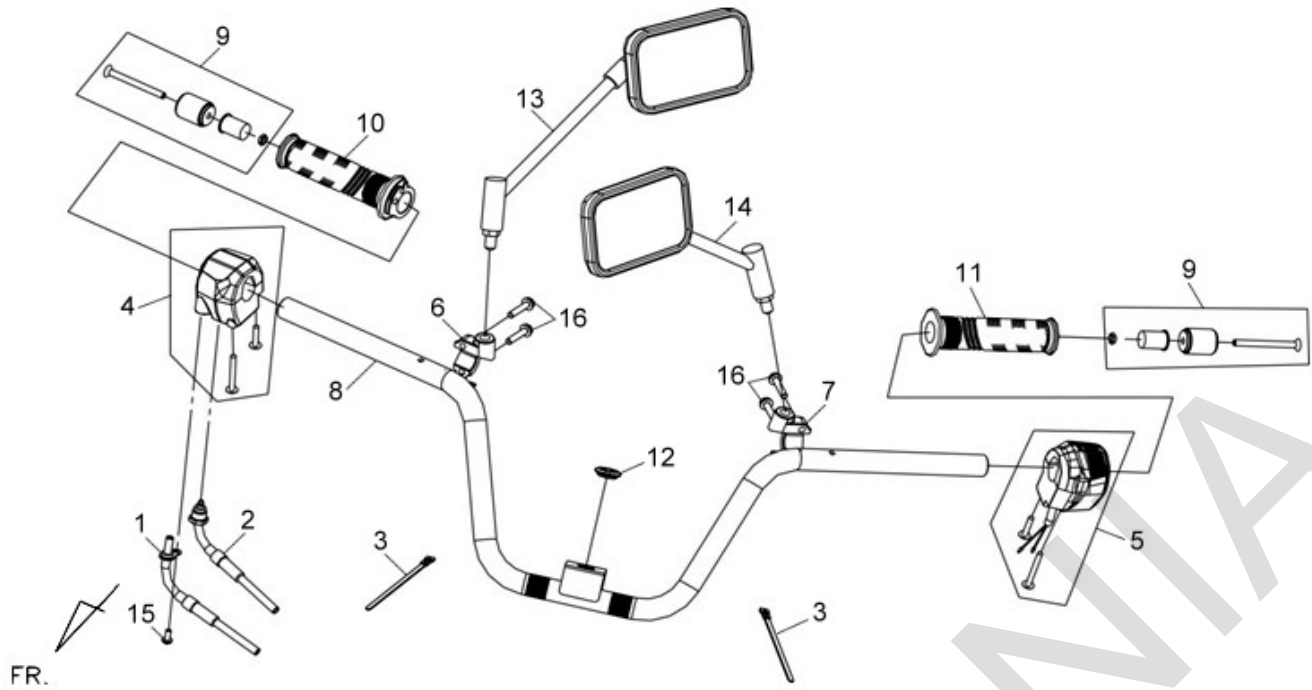
PARTS NUMBER	DESCRIPTION	QTY	EFFECTIVE DATE	
1 61100-L4A-000-BE	FR.FENDER BU-535S	1		
1 61100-L4A-000-IP	FR.FENDER GY-517S	1		
1 61100-L4A-000-JH	FR. FENDER(BK-001UL)	1		
1 61100-L4A-000-KX	FR.FENDER BK-231P	1		
1 61100-L4A-000-QU	FR.FENDER WH-300P	1		
2 61105-L4A-000	FR.FENDER BRKT	1		

※ Please check the color & stripe information according to the color index !

※N/A = SUBSTITUTE

※Y = EXCHANGEABLE

※N =NOT EXCHANGEABLE



Pictures reference only

PARTS NUMBER	DESCRIPTION	QTY	EFFECTIVE DATE	
1 17910-L4A-000	THROT.CABLE COMP A	1		
2 17920-L4A-000	THROT.CABLE COMP B	1		
3 32160-A3A-900	WIRE BAND 200X8	2		
4 35150-L4C-000	R. HANDLE SW. ASSY	1		
5 35200-L4C-000	L. HANDLE SW. ASSY	1		
6 45517-L4A-000	RH. M/C HOLDER	1		
7 45518-L4A-000	LH. M/C HOLDER	1		
8 53100-L4A-000	STRG. HANDLE COMP	1		
9 53104-N02-000	HANDLE PIPE WT. ASSY.	2		
10 53140-L4A-000	THROT GRIP COMP BK-001U	1		
11 53166-L4A-000	L HANDLE GRIP BK-001U	1		
12 61105-RCA-000	FR.FENDER GROMMET	1		
13 88110-L4A-002	R BACK MIRROR ASSY	1		
13 88110-L4A-900-KX	R. BACK MIRROR ASSY(BK-231S)	1	2013/8/1	N
13 88110-L4A-900-QU	R. BACK MIRROR ASSY(WH-300P)	1	2013/8/1	N
13 88110-L4A-900-IP	R. BACK MIRROR ASSY(GY-517S)	1		
13 88110-L4A-900-JH	R. BACK MIRROR ASSY(BK-001UL)	1		
13-1 88111-L4A-000	SOCKET CAP	1		
14 88120-L4A-002	L. BACK MIRROR	1		
14 88120-L4A-900-KX	L. BACK MIRROR ASSY(BK-231S)	1	2013/8/1	N
14 88120-L4A-900-QU	L. BACK MIRROR ASSY(WH-300P)	1	2013/8/1	N
14 88120-L4A-900-IP	L. BACK MIRROR ASSY(GY-517S)	1		
14 88120-L4A-900-JH	L. BACK MIRROR ASSY(BK-001UL)	1		
14-1 88111-L4A-000	SOCKET CAP	1		
15 93891-05012-07	WASHER SCREW 5X12	1		
16 95801-06022-07	FLANGE BOLT 6X22	4		

✘ Please check the color & stripe information according to the color index !

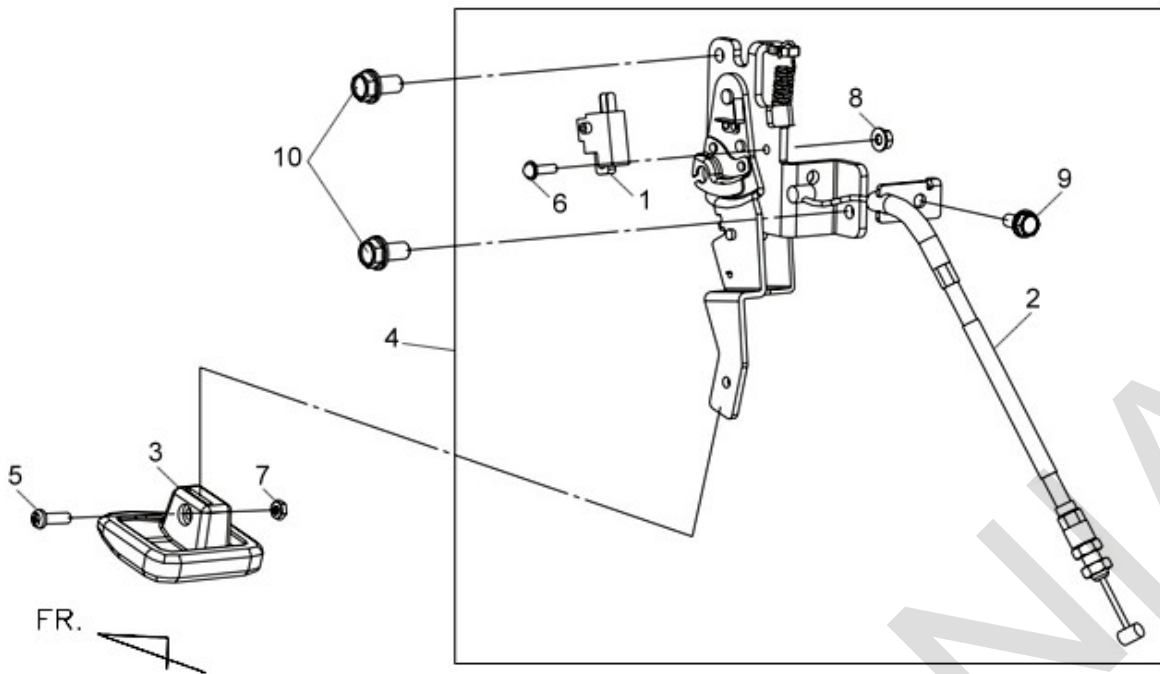
 **TEAMWORLD IND. 2011.05**

✘N/A = SUBSTITUTE

✘Y = EXCHANGEABLE

✘N =NOT EXCHANGEABLE

MOTOMANIA

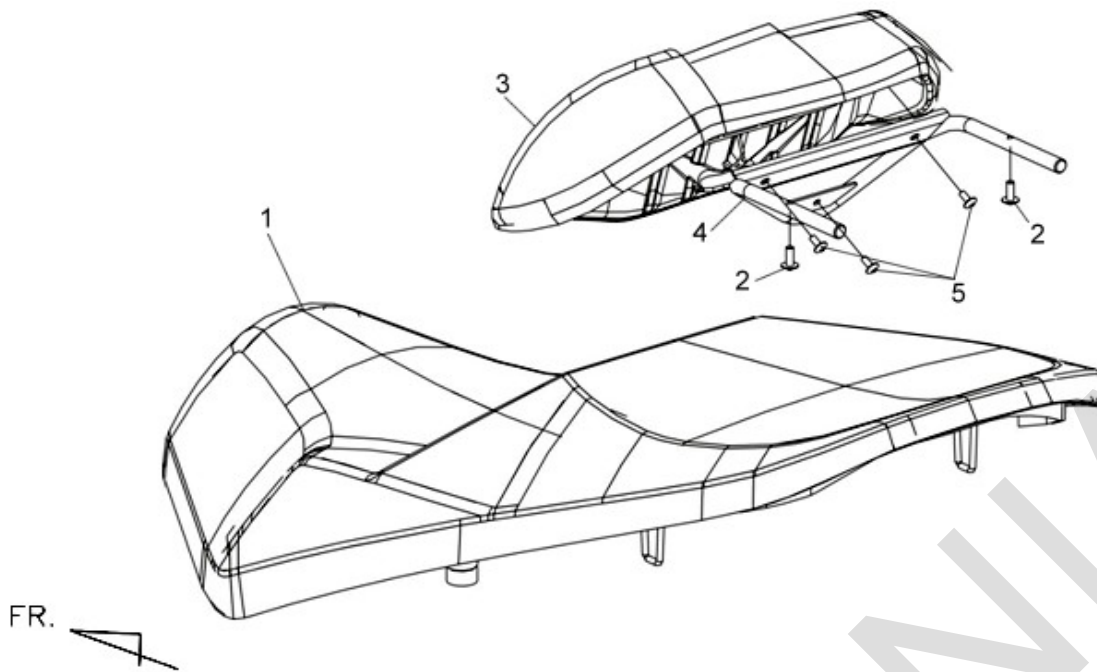


Pictures reference only

PARTS NUMBER	DESCRIPTION	QTY	EFFECTIVE DATE
1 35350-KBN-900	RR. STOP SWITCH ASSY(L)	1	
2 45450-L4A-000	PARKING CABLE COMP	1	
3 53171-L4A-000	PARKING GRIP BK-001U	1	
4 5317A-L4A-000	PARKING LEVER ASSY	1	
5 93500-05014-0G	PAN SCREW 5X14	1	
6 93892-04016-08	WASHER SCREW 4X16	1	
7 94001-05070-0S	HEX NUT 5MM	1	
8 94050-04080	FLANGE NUT 4MM	1	
9 95801-06012-08	FLANGE BOLT 6X12	1	
10 93892-04016-08	WASHER SCREW 4X16	2	

※ Please check the color & stripe information according to the color index !

※N/A = SUBSTITUTE ※Y = EXCHANGEABLE ※N =NOT EXCHANGEABLE



Pictures reference only

PARTS NUMBER		DESCRIPTION	QTY	EFFECTIVE DATE
1	77100-L4A-000	DOUBLE SEAT COMP	1	
2	77203-HMA-010	BACK SEAT SET BOLT	2	
3	77300-L4A-000	FR BACK SEAT COMP	1	
4	77302-L4A-000	BACK SEAT ADJUST BAR	1	
5	93903-35280	TAPPING SCREW 5X12	3	

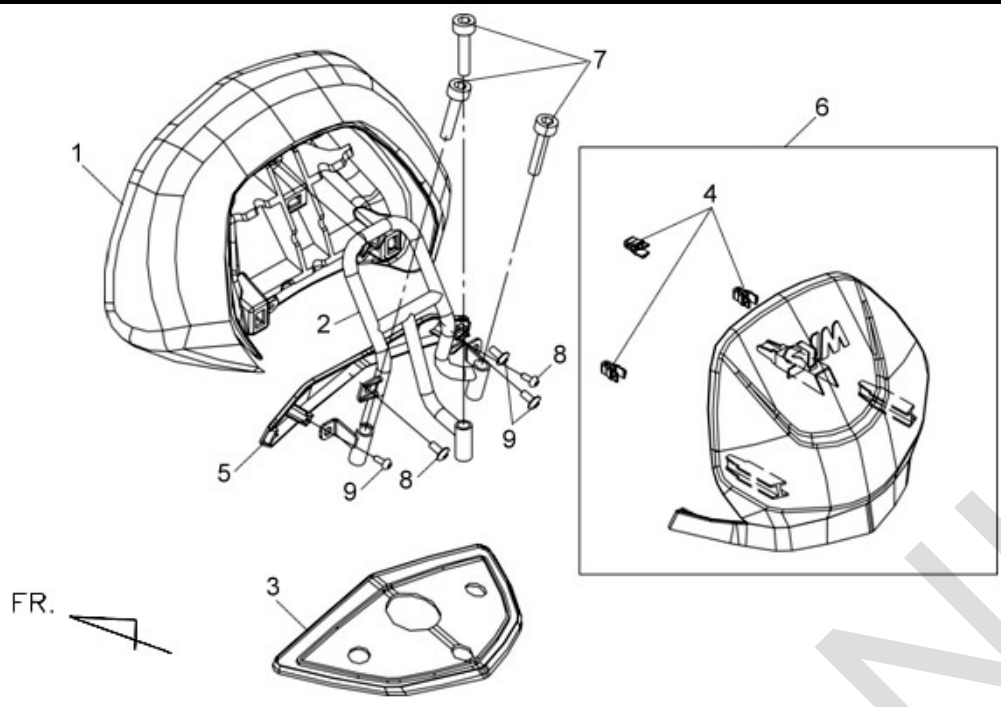
※ Please check the color & stripe information according to the color index !

 TEAMWORLD IND. 2011.05

※N/A = SUBSTITUTE

※Y = EXCHANGEABLE

※N =NOT EXCHANGEABLE



Pictures reference only

PARTS NUMBER	DESCRIPTION	QTY	EFFECTIVE DATE
1 77401-L4A-000	BACK SEAT INNER BASE BK-001U	1	
2 77402-L4A-000	BACK SEAT BRKT	1	
3 77403-L4A-000	BACK SEAT RUBBER BK-001U	1	
4 77405-L4A-000	CLIP	3	
5 77406-L4A-000-BE	BACK SEAT FR. COVER BU-535S	1	
5 77406-L4A-000-IP	BACK SEAT FR. COVER GY-517S	1	
5 77406-L4A-000-JH	BACK SEAT FR. COVER(BK-001UL)	1	
5 77406-L4A-000-KX	BACK SEAT FR. COVER BK-231P	1	
5 77406-L4A-000-QU	BACK SEAT FR. COVER WH-30P	1	
6 7741A-L4A-000-BE1	BACK SEAT RR. COVER ASSY BU-535S	1	
6 7741A-L4A-000-IP1	BACK SEAT RR. COVER ASSY GY-517S	1	
6 7741A-L4A-000-JH1	BACK SEAT RR. COVER ASSY(BK-001UL)	1	
6 7741A-L4A-000-KX1	BACK SEAT RR. COVER ASSY BK-231P	1	
6 7741A-L4A-000-QU1	BACK SEAT RR. COVER ASSY WH-300P	1	
7 90103-L4A-000	SOCKET BOLT 8*45	3	
8 93903-34380	TAPPING SCREW 4X12	2	
9 93903-35280	TAPPING SCREW 5X12	3	

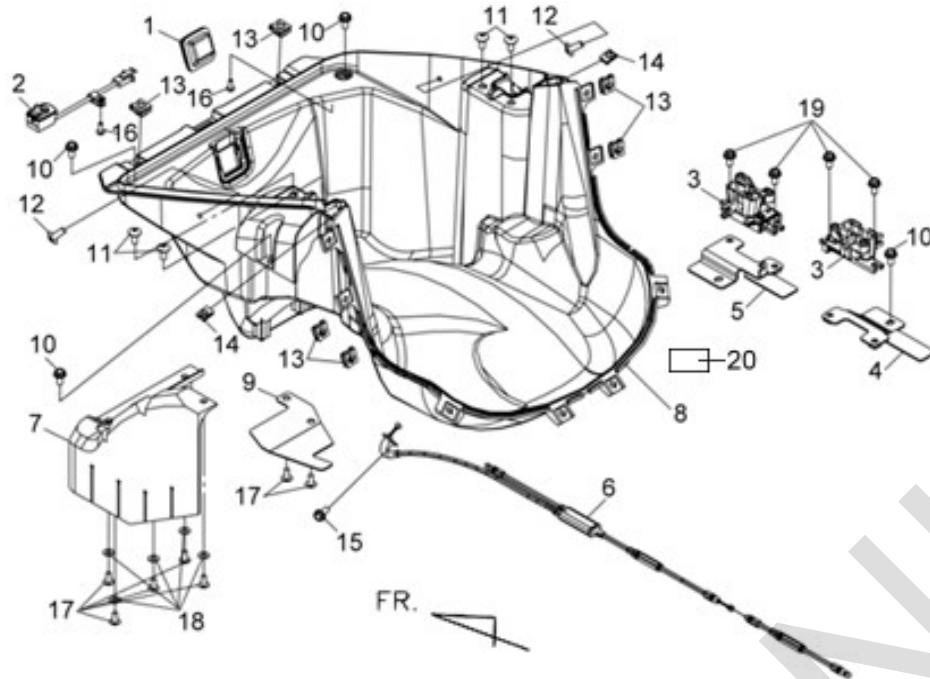
※ Please check the color & stripe information according to the color index !

TEAMWORLD IND. 2011.05

※N/A = SUBSTITUTE

※Y = EXCHANGEABLE

※N =NOT EXCHANGEABLE



Pictures reference only

PARTS NUMBER	DESCRIPTION	QTY	EFFECTIVE DATE
1 35370-L4A-000	LUGGAGE BOX LIGHT ASSY	1	
2 36600-L4A-000	ENG.START CONTROL SW	1	
3 77230-L4A-000	SEAT CATCH COMP	1	
4 77236-L4A-000	RH. SEAT CATCH STAY	1	
5 77238-L4A-000	LH. SEAT CATCH STAY	1	
6 77240-L4A-000	SEAT LOCK CABLE	1	
7 80104-L4A-000	LUGGAGE BOX PLATE BK-001U	1	
8 81250-L4A-000	LUGGAGE BOX BK-001U	1	
9 81251-L4A-000	LUGGAGE BOX STAY	1	
10 90112-N01-000	FLANGE BOLT 6MM	4	
11 90115-G02-000	BOLT 6X16	4	
12 90115-REA-000	PLASTIC NUT 6MM	2	
13 90305-M9Q-000	CLIP NUT 6MM	6	
14 90308-X04-000	SPECIAL NUT 5MM	2	
15 93891-05012-08	WASHER SCREW 5X12	1	
16 93903-24380	TAPPING SCREW 4X12	2	
17 93903-35220	SCREW TAPPING 5X12	7	
18 94103-05800	PLAIN WASHER 5MM	5	
19 95801-06012-07	FLANGE BOLT 6X12	4	
20 81259-L4A-000	HELMET ARRANGEMENT INST. LABEL(ENG.)	1	2013/3/18

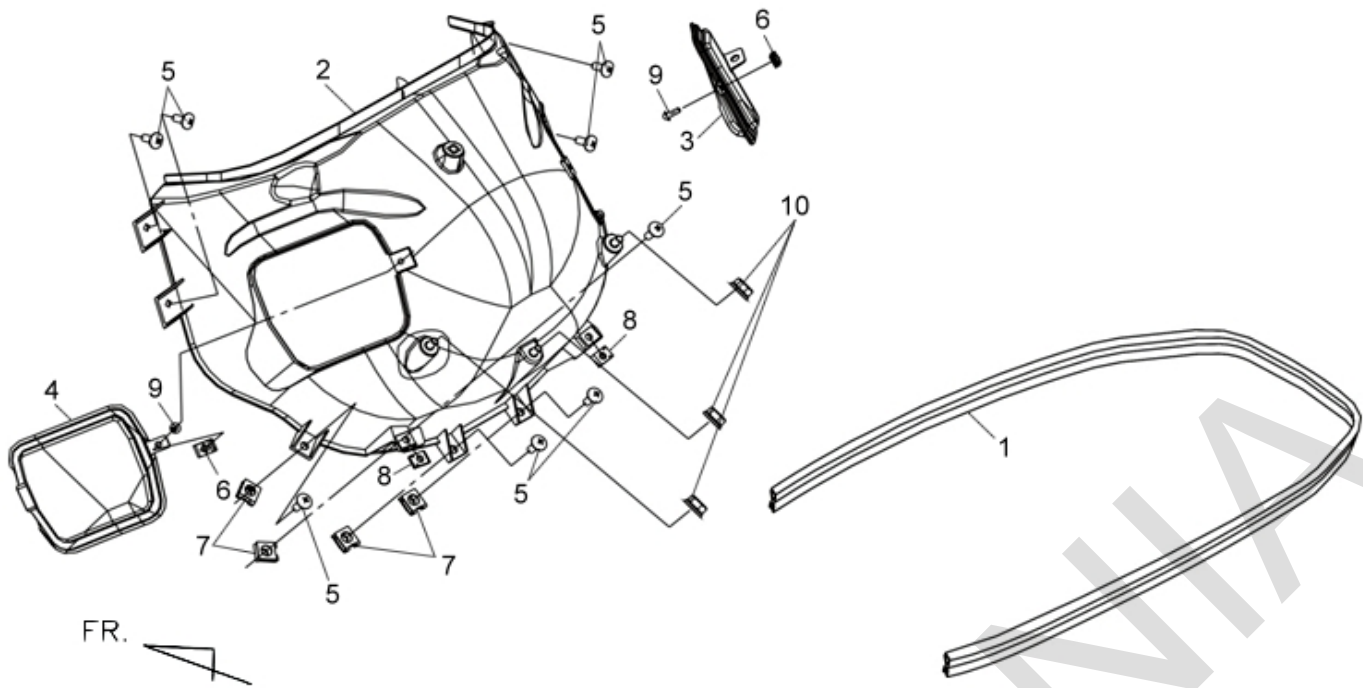
※ Please check the color & stripe information according to the color index !

TEAMWORLD IND. 2011.05

※N/A = SUBSTITUTE

※Y = EXCHANGEABLE

※N =NOT EXCHANGEABLE



Pictures reference only

PARTS NUMBER		DESCRIPTION	QTY	EFFECTIVE DATE
1	77115-L4A-000	SEAT RUBBER	1	
2	81254-L4A-000	RR. LUGGAGE BOX BK-001U	1	
3	81256-L4A-000	RH. LUGGAGE BOX CAP BK-001U	1	
4	81258-L4A-000	LH. LUGGAGE BOX CAP BK-001U	1	
5	90115-G02-000	BOLT 6X16	8	
6	90302-M92-000	SPRING NUT 4MM	2	
7	90305-M9Q-000	CLIP NUT 6MM	4	
8	90308-X04-000	SPECIAL NUT 5MM	2	
9	93903-44380	TAPPING SCREW 4X12	2	
10	94050-06070	FLANGE NUT 6MM	3	

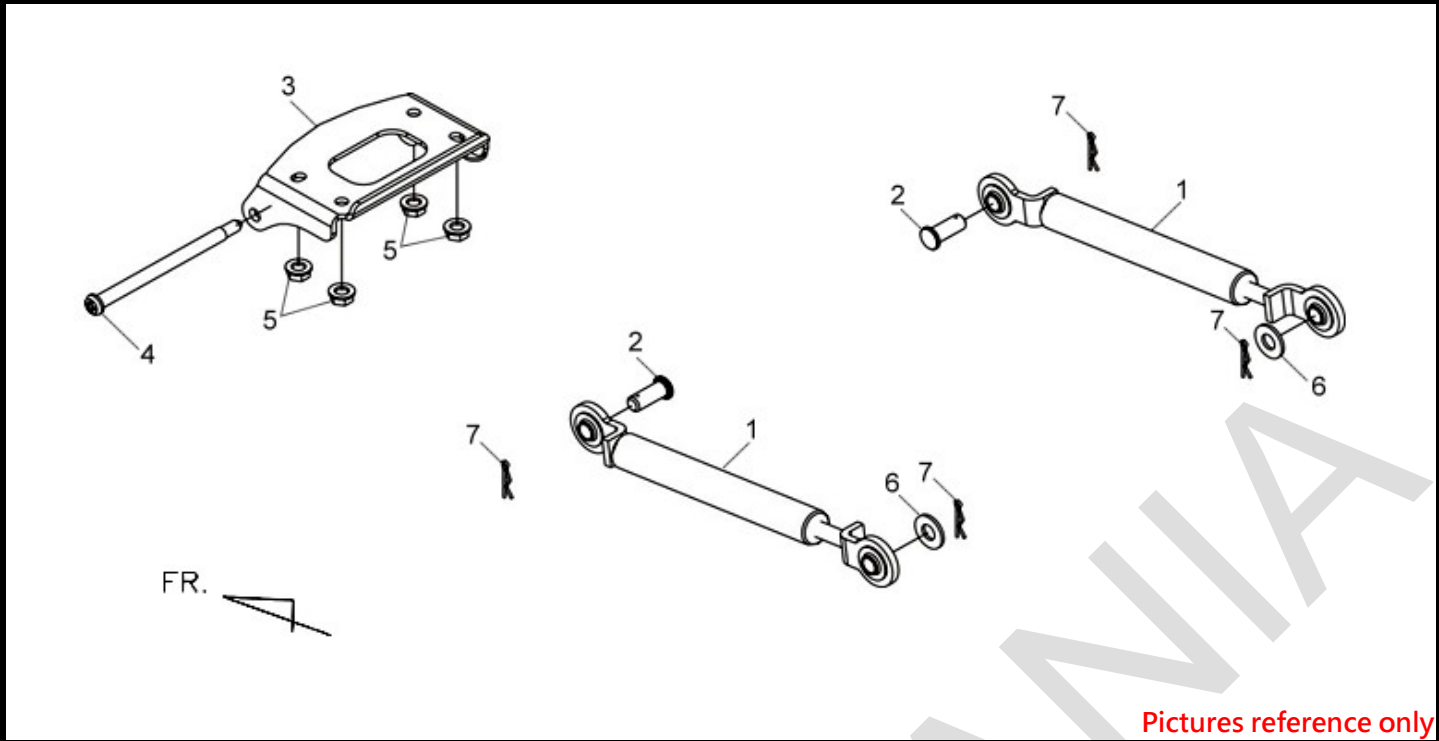
※ Please check the color & stripe information according to the color index !

 TEAMWORLD IND. 2011.05

※N/A = SUBSTITUTE

※Y = EXCHANGEABLE

※N =NOT EXCHANGEABLE



Pictures reference only

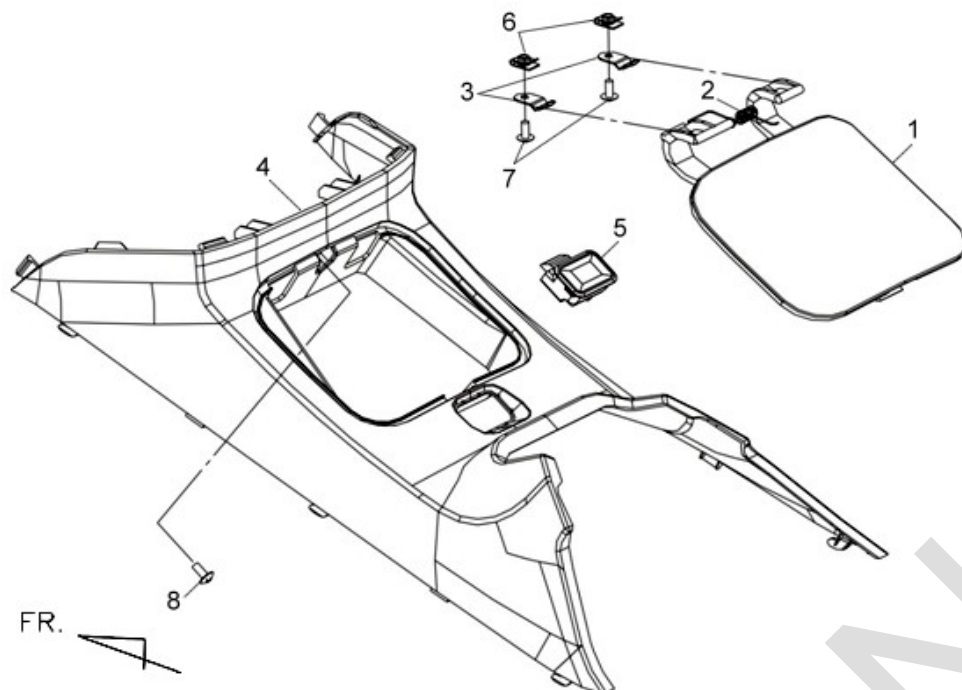
PARTS NUMBER		DESCRIPTION	QTY	EFFECTIVE DATE
1	74480-L4A-000	OPEN STAY	2	
2	74481-L4A-000	OPEN STAY PIN	2	
3	77201-L4A-000	SEAT HINGE	1	
4	90106-L4A-000	HINGE PIN	1	
5	94050-06070	FLANGE NUT 6MM	4	
6	94101-08800	PLAIN WASHER 8MM	2	
7	94251-08400	LOCK PIN 8MM (LATCH PIN)	4	

※ Please check the color & stripe information according to the color index !

※N/A = SUBSTITUTE

※Y = EXCHANGEABLE

※N =NOT EXCHANGEABLE



Pictures reference only

PARTS NUMBER		DESCRIPTION	QTY	EFFECTIVE DATE	
1	64311-L4A-000-KA	FUEL TANK COVER BK-001U	1		
2	64313-L4A-000	FUEL TANK COVER SPRING	1		
2	64313-L4A-100	FUEL TANK COVER SPRING	1	2013/5/1	N
3	64314-L4A-000	FUEL TANK COVER HANGE STAY	2		
4	64315-L4A-000-KA	MAINTENANCE COVER	1		
4	64315-L4A-100-KA	MAINTENANCE COVER(BK-001U)	1	2013/5/1	N
5	64320-L4A-000	FUEL TANK COVER LOCK	1		
6	90308-X04-000	SPECIAL NUT 5MM	2		
7	93901-25180	TAPPING SCREW 5X10	2		
8	93903-35280	TAPPING SCREW 5X12	1		

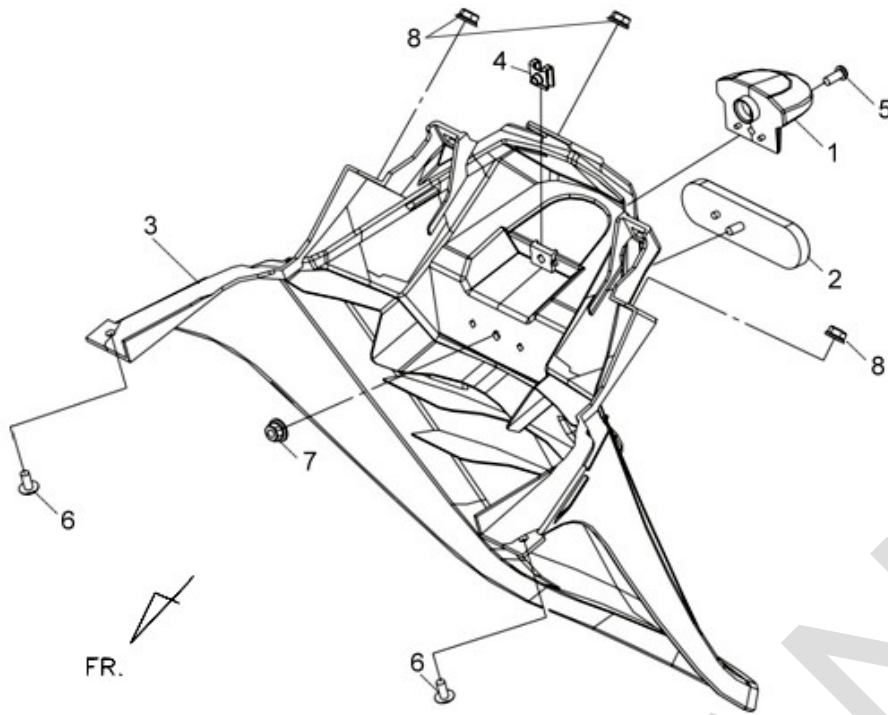
※ Please check the color & stripe information according to the color index !

TEAMWORLD IND. 2011.05

※N/A = SUBSTITUTE

※Y = EXCHANGEABLE

※N =NOT EXCHANGEABLE



Pictures reference only

PARTS NUMBER	DESCRIPTION	QTY	EFFECTIVE DATE
1 33740-E4D-010	LICENCE LIGHT ASSY	1	
2 33743-REC-000	SIDE REFLEX REFLECTOR	1	
3 80100-L4A-000	RR.FENDER BK-001U	1	
4 90303-RCA-000	SUS NUT 5MM	1	
5 93500-05016-0H	PAN SCREW 5X16	1	
6 93903-35220	SCREW TAPPING 5X12	2	
7 94050-05080	FLANGE NUT 5MM	1	
8 94050-06070	FLANGE NUT 6MM	3	

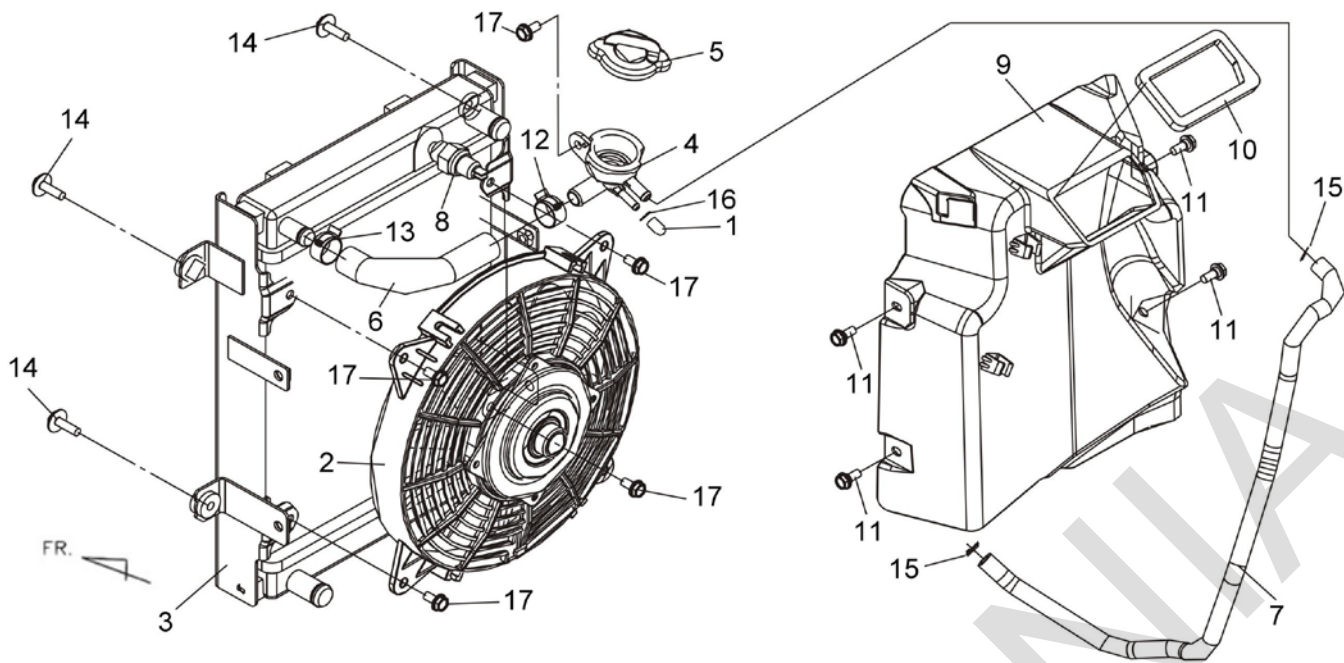
※ Please check the color & stripe information according to the color index !

 TEAMWORLD IND. 2011.05

※N/A = SUBSTITUTE

※Y = EXCHANGEABLE

※N =NOT EXCHANGEABLE



Pictures reference only

PARTS NUMBER	DESCRIPTION	QTY	EFFECTIVE DATE
1 17236-FWA-000	TUBE PLUG	1	
2 19005-L4A-000	SHROUD ASSY	1	
3 19010-L4A-000	RADIATOR COMP	1	
4 19039-LVA-000	FILLER NECK	1	
5 19111-H9A-000	RADIATOR FILLER CAP	1	
6 19125-L4A-000	RADIATOR HOSE	1	
7 19126-L4C-000	RESERVE TANK TUBE	1	
8 37760-HMA-000	THERMO. SW	1	
9 64312-L4C-000	FUEL TANK PROTECTOR BK-001U	1	
10 81245-L4C-000	AIR DUCT SPONGE A	1	
11 90111-N01-000	FLANGE BOLT 6MM	4	
12 90682-SB0-671	CLAMP CNSTR HOSE	1	
13 91405-SS0-003	WATER HOSE CLAMP	1	
14 93404-06020-07	BOLT WASHER 6X20	4	
15 95002-02130	TUBE CLIP B 12.5	2	
16 95002-40800-08	TUBE CLAMPER D8.0	1	
17 95801-06012-07	FLANGE BOLT 6X12	4	

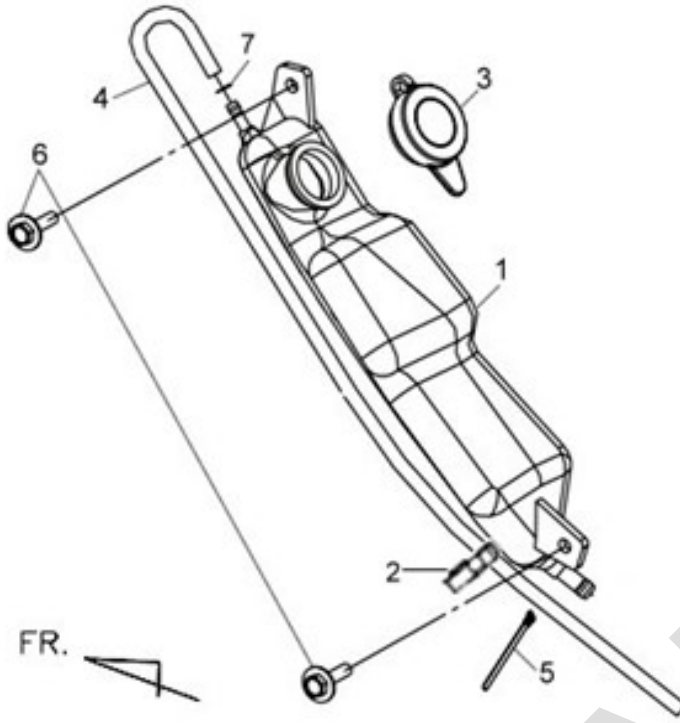
※ Please check the color & stripe information according to the color index !

 TEAMWORLD IND. 2011.05

※N/A = SUBSTITUTE

※Y = EXCHANGEABLE

※N =NOT EXCHANGEABLE



Pictures reference only

PARTS NUMBER	DESCRIPTION	QTY	EFFECTIVE DATE
1 19101-L4A-000	RESERVE TANK	1	
2 19102-L4A-000	TUBE CLAMP	1	
3 19104-MBO-700	RESERVE TANK CAP.	1	
4 19109-H9A-010	RESERVE TANK TUBE	1	
5 32161-T15-000	BAND 250	1	
6 93404-06012-07	WASHER BOLT 6X12	2	
7 95002-02080	BREATHER TUBE CLIP B8	1	

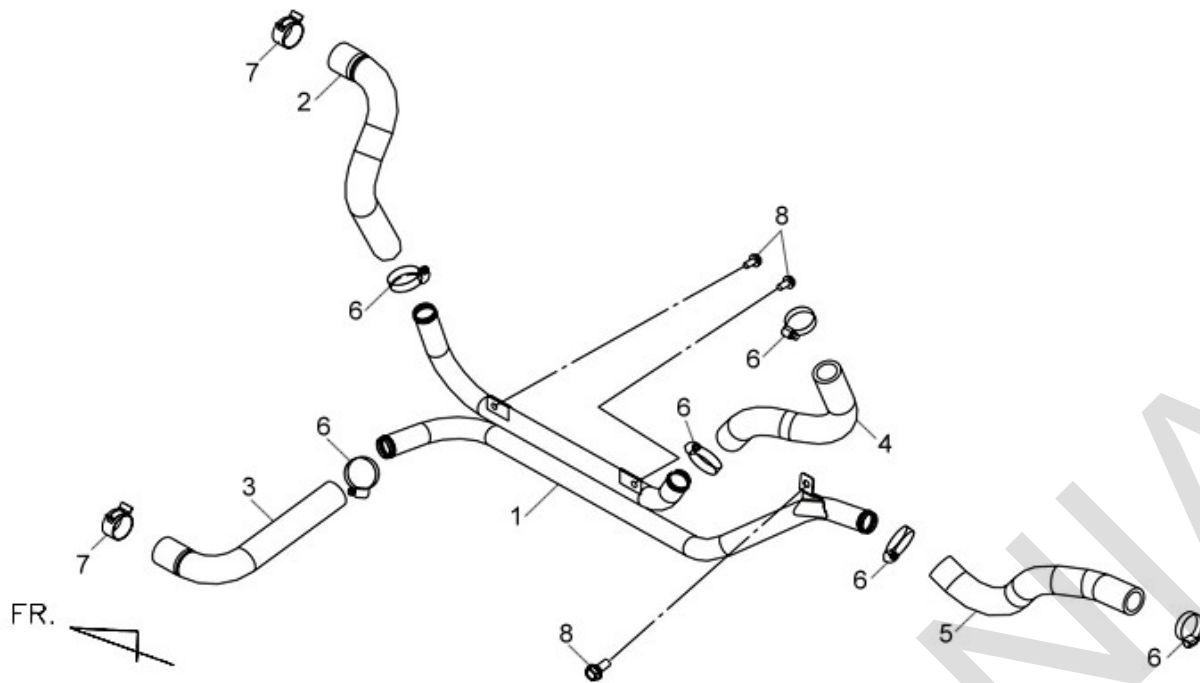
※ Please check the color & stripe information according to the color index !

TEAMWORLD IND. 2011.05

※N/A = SUBSTITUTE

※Y = EXCHANGEABLE

※N = NOT EXCHANGEABLE



Pictures reference only

PARTS NUMBER	DESCRIPTION	QTY	EFFECTIVE DATE
1 19110-L4A-000	WATER PIPE COMP	1	
2 19121-L4C-000	RADIATOR INLET HOSE	1	
3 19123-L4A-000	RADIATOR OUTLET HOSE	1	
4 19501-L4A-000	WATER HOSE A	1	
5 19503-L4A-000	WATER HOSE C	1	
6 19505-REA-000	HOSE CLAMP	6	
7 19511-REA-000	CLIP WATER HOSE	2	
8 95801-06012-08	FLANGE BOLT 6X12	3	

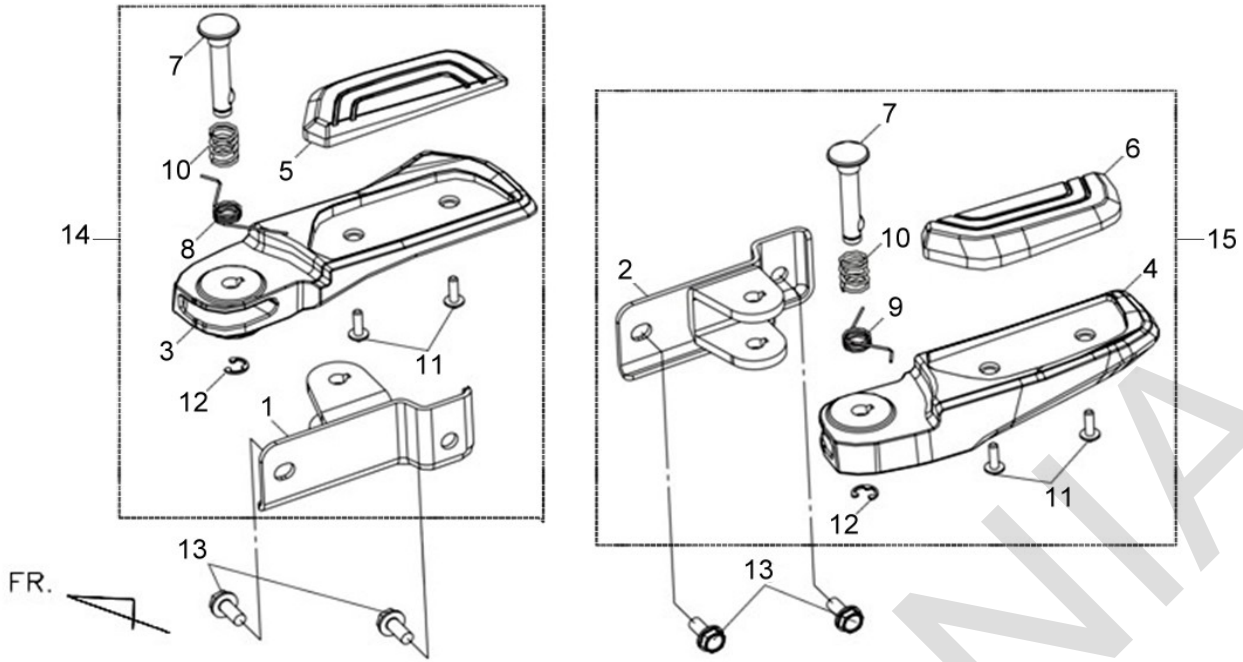
※ Please check the color & stripe information according to the color index !

TEAMWORLD IND. 2011.05

※N/A = SUBSTITUTE

※Y = EXCHANGEABLE

※N =NOT EXCHANGEABLE

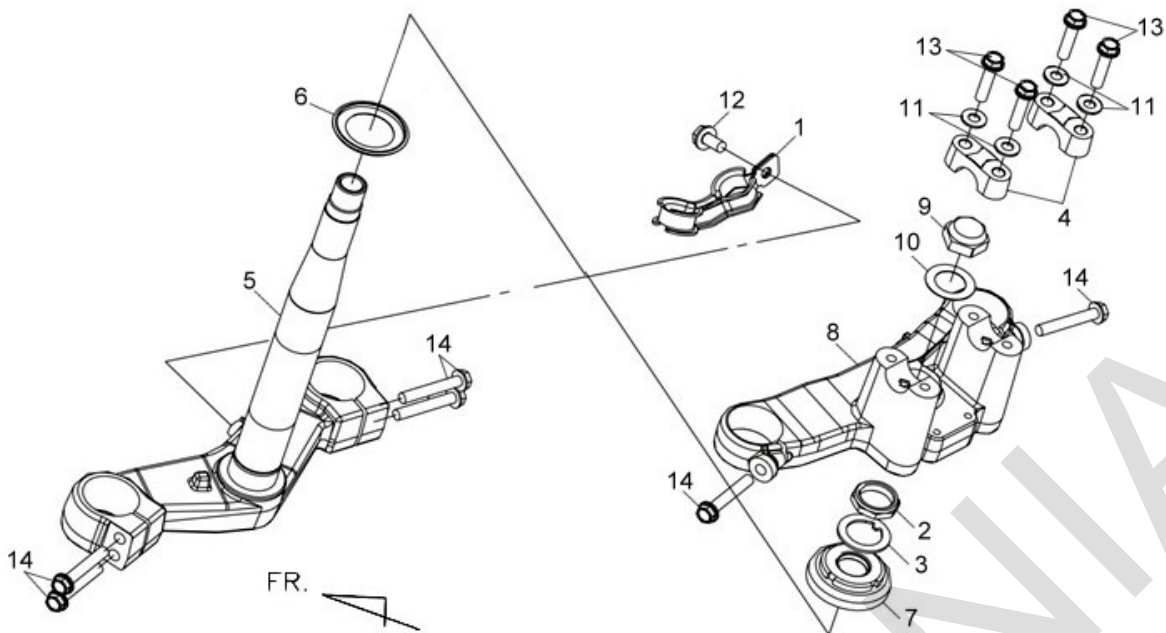


Pictures reference only

PARTS NUMBER	DESCRIPTION	QTY	EFFECTIVE DATE
1 50613-L4A-000	RH PILLION STEP BRKT.	1	
2 50614-L4A-000	LH PILLION STEP BRKT.	1	
3 50621-L4A-000	RH.PILLION STEP	1	
4 50622-L4A-000	LH.PILLION STEP	1	
5 50623-L4A-000	R.PILLION STEP MAT BK-001U	1	
6 50624-L4A-000	L.PILLION STEP MAT BK-001U	1	
7 50625-L4A-000	PILLION STEP PIN	2	
8 50626-HMA-000	R. PILLION STEP SPG	1	
9 50627-HMA-000	L. PILLION STEP SPG	1	
10 50629-HMA-000	RETURN SPG	2	
11 93892-05012-08	WASHER SCREW 5X12	4	
12 90605-166-720	CIR CLIP 7MM	2	
13 95801-08016-07	FLANGE BOLT 8X16	4	
14 5062A-L4A-000	R. PILLION STEP ASSY	1	
15 5062B-L4A-000	L. PILLION STEP ASS	1	

※ Please check the color & stripe information according to the color index !

※N/A = SUBSTITUTE ※Y = EXCHANGEABLE ※N =NOT EXCHANGEABLE



Pictures reference only

PARTS NUMBER	DESCRIPTION	QTY	EFFECTIVE DATE
1 45145-L4C-000	FR. BRAKE STAY	1	
2 50306-M9Q-000	STRG. STEM LOCK NUT(MZ→SY)	1	
3 50308-HMA-000	STRG STEM WASHER	1	
4 53131-RCA-010	HANDLE PIPE UP. HOLDER	2	
5 53200-L4A-000	STRG.STEM COMP	1	
6 53214-L4A-000	STRG.DUST SEAL	1	
7 53220-HMA-000	STRG HD TOP THREAD	1	
8 53231-L4A-000	FORK TOP BRIDGE	1	
9 90304-L4A-000	STEERING STEM NUT	1	
10 90503-B06-000	STEERING STEM NUT WASHER	1	
11 94101-08800	PLAIN WASHER 8MM	4	
12 95801-06012-08	FLANGE BOLT 6X12	1	
13 95801-08035-07	FLANGE BOLT M8X35	4	
14 95801-08045-08	FLANGE BOLT 8X45	6	

※ Please check the color & stripe information according to the color index !

TEAMWORLD IND. 2011.05

※N/A = SUBSTITUTE

※Y = EXCHANGEABLE

※N =NOT EXCHANGEABLE

FR.

Pictures reference only

PARTS NUMBER	DESCRIPTION	QTY	EFFECTIVE DATE
1 44301-L4A-000	FR.WHEEL AXLE	1	
2 44312-L4A-000	FR. WHEEL SIDE COLLAR	1	
3 44870-L4C-000	ABS. SPEED SENSOR	1	
4 45156-L4C-000	FR. BRAKE HOSE CLAMP	1	
5 51400-L4A-000-KB	RH.FR.CUSHION COMP BK-001C	1	
6 51500-L4A-000-KB	LH.FR.CUSHION COMP BK-001C	1	
7 90114-A5L-000	SPECIAL SCREW 6X35	4	
8 94103-06700	PLAIN WASHER 6MM	2	
9 95801-06012-08	FLANGE BOLT 6X12	1	
10 96001-06012-00	FLANGE BOLT SH 6X12	1	
11 96700-08035-00	SOCKET BOLT 8X35	1	
12 91255-L4A-000	FR.CUSHION OIL SEAL	1	
13 91256-L4A-000	DUST SEAL	1	
14 FE881-283-03	BOTTOM CASE LH	1	
15 FE881-284-03	BOTTOM CASE RH	1	
16 FE881-303-00	FR.FORK PIPE	1	
17 FF501-380-00	SPRING SET	1	
18 44313-L4A-000	LH.FR.WHEEL COLLAR	1	
19 33742-F3H-000	SIDE REFLEX REFLECTOR(Australian version excl	2	
20 44910-L4C-000	ABS. RUBBER BUSH	3	
21 51401-L4G-000	FR. RH. REFLECTOR STAY(Australian version excl	1	
22 51501-L4G-000	FR. LH. REFLECTOR STAY(Australian version excl	1	
23 94050-06070	FLANGE NUT 6MM(Australian version exclusive)	2	

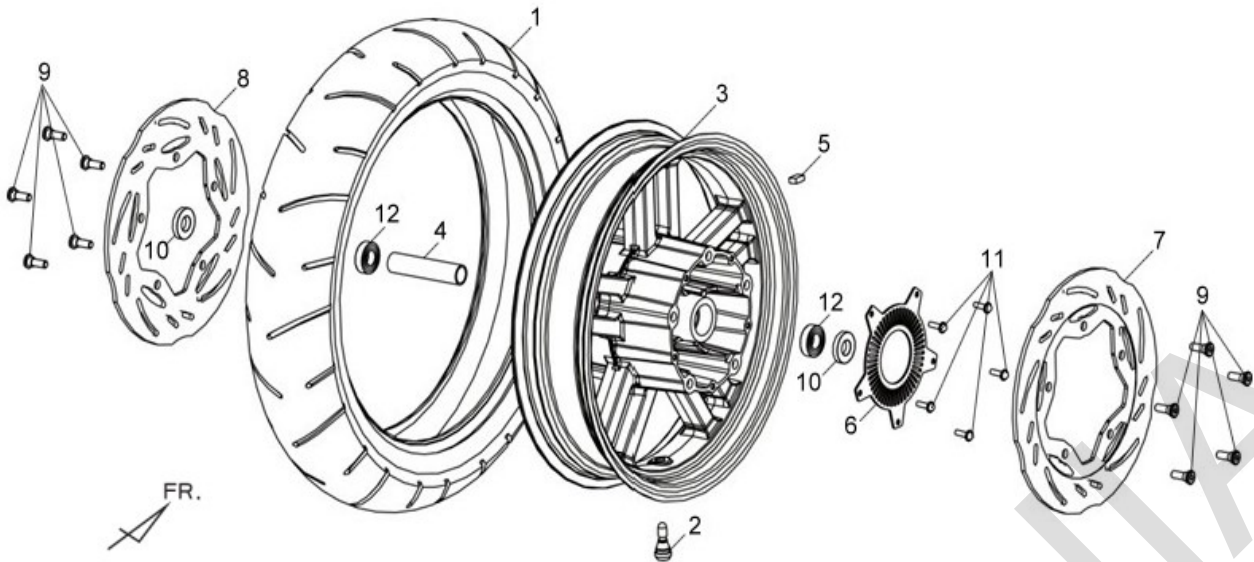
※ Please check the color & stripe information according to the color index !

TEAMWORLD IND. 2011.05

※N/A = SUBSTITUTE

※Y = EXCHANGEABLE

※N =NOT EXCHANGEABLE



Pictures reference only

PARTS NUMBER	DESCRIPTION	QTY	EFFECTIVE DATE
1 1T011207015-6135	RR. TUBELESS TIRE	1	
2 42753-KJ9-000	VALVE RIM (PVR-70B)	1	
3 44601-L4A-000-KB	FR.CAST WHEEL COMP BK-001C	1	
4 44620-L4A-000	FR.AXLE DIST COLLAR	1	
5 44720-H9A-000	BALANCE WEIGHT	1	
6 45120-L4A-000	ABS DETECTIVE DISK	1	
7 45121-L4A-000-KB	R FRONT BRAKE DISK BK-001C	1	
8 45122-L4A-000-KB	L FRONT BRAKE DISK BK-001C	1	
9 90105-KR3-000	FR. DISK BOLT 8X24	10	
10 91211-RCA-000	OIL SEAL (22*35*7)	2	
11 93500-05012-0A	PAN SCREW 5*12mm	5	
12 96150-60033-10	RADIAL BALL BEARING 6003UU	2	

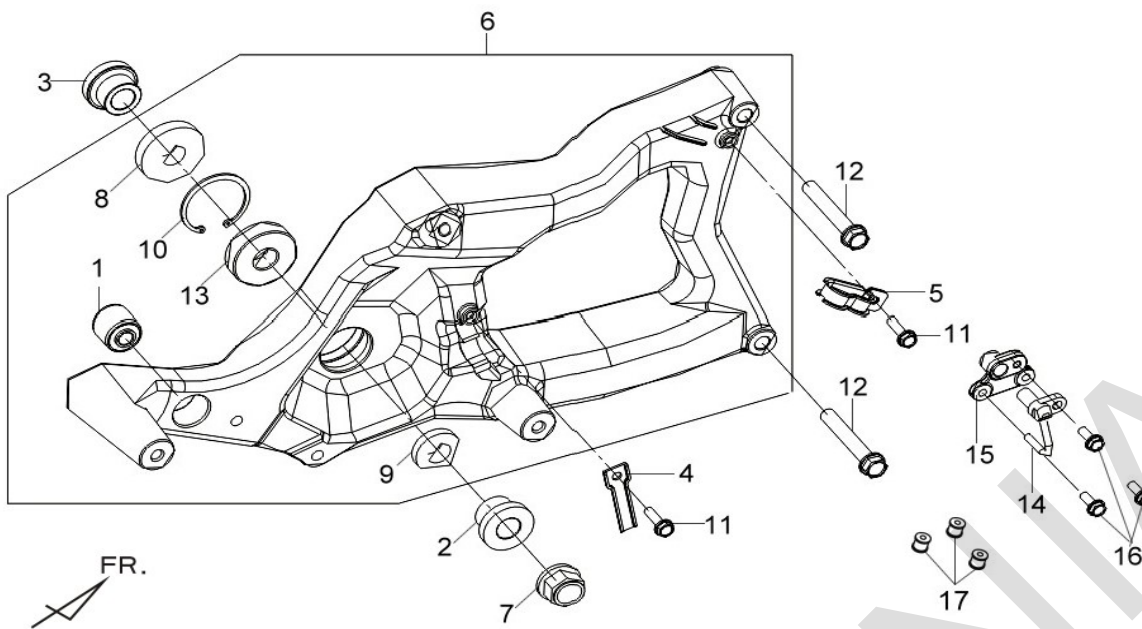
※ Please check the color & stripe information according to the color index !

TEAMWORLD IND. 2011.05

※N/A = SUBSTITUTE

※Y = EXCHANGEABLE

※N =NOT EXCHANGEABLE



Pictures reference only

PARTS NUMBER	DESCRIPTION	QTY	EFFECTIVE DATE	
1 11203-L4A-000	RR.CUSH UND BUSH RUBBER	1		
2 42311-H9A-000	RR. AXLE COLLAR	1		
2 42312-L4C-000	RR. AXLE COLLAR	1	2012/11/19	Y
3 42311-L4A-000	RR. AXLE SIDE COLLAR A	1		
4 43146-L4A-000	RR BRAKE HOSE CLAMP B	1		
5 45125-L4A-000	RR. BRAKE HOSE CLAMP	1		
6 5210A-L4A-000	RR FORK ASSY	1		
7 90305-M9Q-900	U NUT 16 MM	1		
7 90304-B7A-000	RR.AXLE U NUT 16MM	1	2012/11/19	Y
8 90754-H9A-000	DUST SEAL 26X47X7	1		
9 90755-H3C-000	DUST SEAL 26X35X7	1		
10 94524-47000	CIR CLIP IN47	1		
11 95801-06012-07	FLANGE BOLT 6X12	2		
12 95801-10075-07	FLANGE BOLT	2		
13 96150-63033-10	RADIAL BALL BEARING 6303U	1		
14 44870-L4C-000	ABS. SPEED SENSOR	1		
15 44871-L4C-000	ABS. SPEED SENSOR BRKT.	1		
16 95801-06016-07	FLANGE BOLT 6X16	3		
17 44910-L4C-000	ABS. RUBBER BUSH	3		

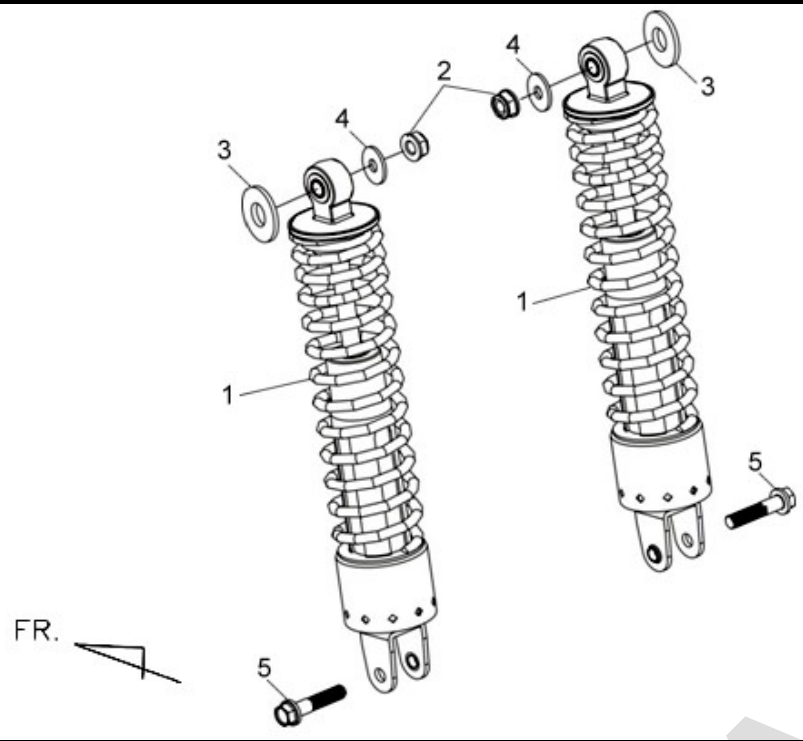
※ Please check the color & stripe information according to the color index !

TEAMWORLD IND. 2011.05

※N/A = SUBSTITUTE

※Y = EXCHANGEABLE

※N =NOT EXCHANGEABLE

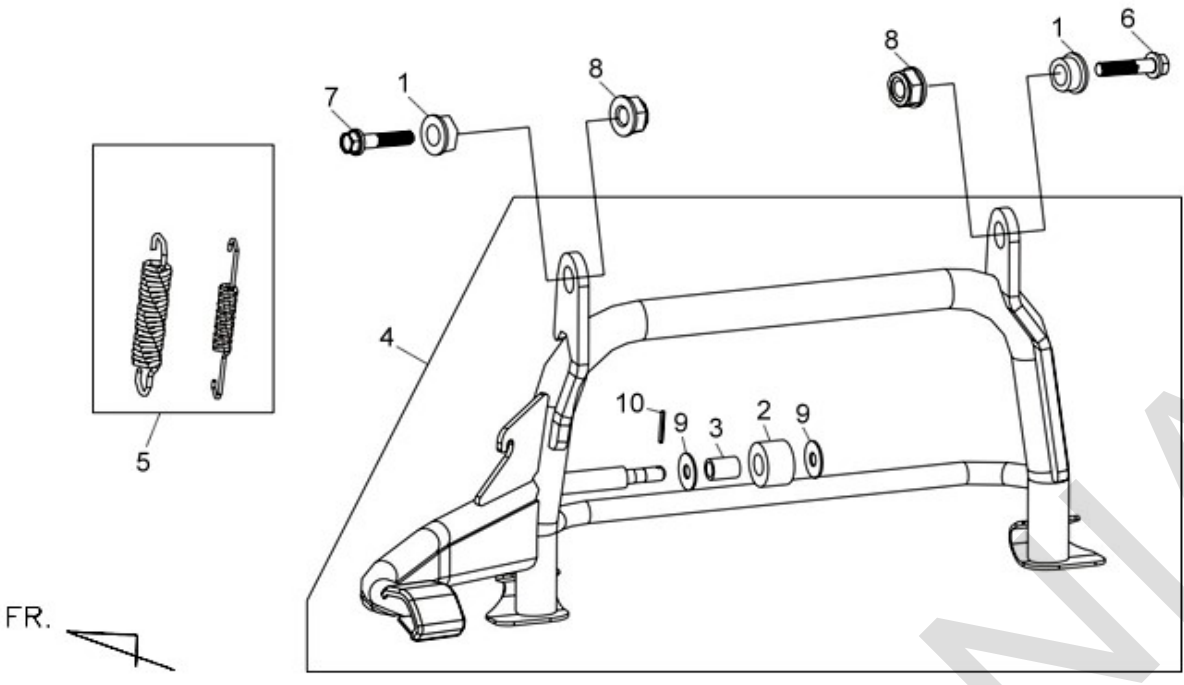


Pictures reference only

PARTS NUMBER		DESCRIPTION	QTY	EFFECTIVE DATE
1	52400-L4A-000-KB	RR. CUSHION ASSY. BK-001C	2	
2	90304-M9Q-000	NUT U FLANGE 10MM	2	
3	94101-12800	WASHER PLAIN 12MM	2	
4	94103-10000	PLAIN WASHER	2	
5	95801-10045-07	BOLT FLANGE 10X45	2	

※ Please check the color & stripe information according to the color index !

※N/A = SUBSTITUTE ※Y = EXCHANGEABLE ※N =NOT EXCHANGEABLE



Pictures reference only

PARTS NUMBER		DESCRIPTION	QTY	EFFECTIVE DATE	
1	50502-GY6-900	MAIN STAND COLLAR	2		
2	50505-H3A-000	STAND STOPPER RUBBER	1		
3	50506-H3A-000	STOP RUBBER COLLAR	1		
4	5050A-L4A-000	MAIN STAND ASSY	1		
5	5052A-H9A-000	MAIN STAND SPG.ASSY	1		
5	5052A-L4C-000	SIDE STAND SPRING ASSY	1	2013/4/22	N
6	90116-HHA-000	MAIN STAND PIVOT BOLT	2		
7	90117-L4A-000	FLANGE BOLT 10X40	2		
8	90304-M9Q-000	NUT U FLANGE 10MM	2		
9	94102-08800	PLAIN WASHER 8mm	2		
10	94201-25200	PIN SPLIT 2.5X20	1		

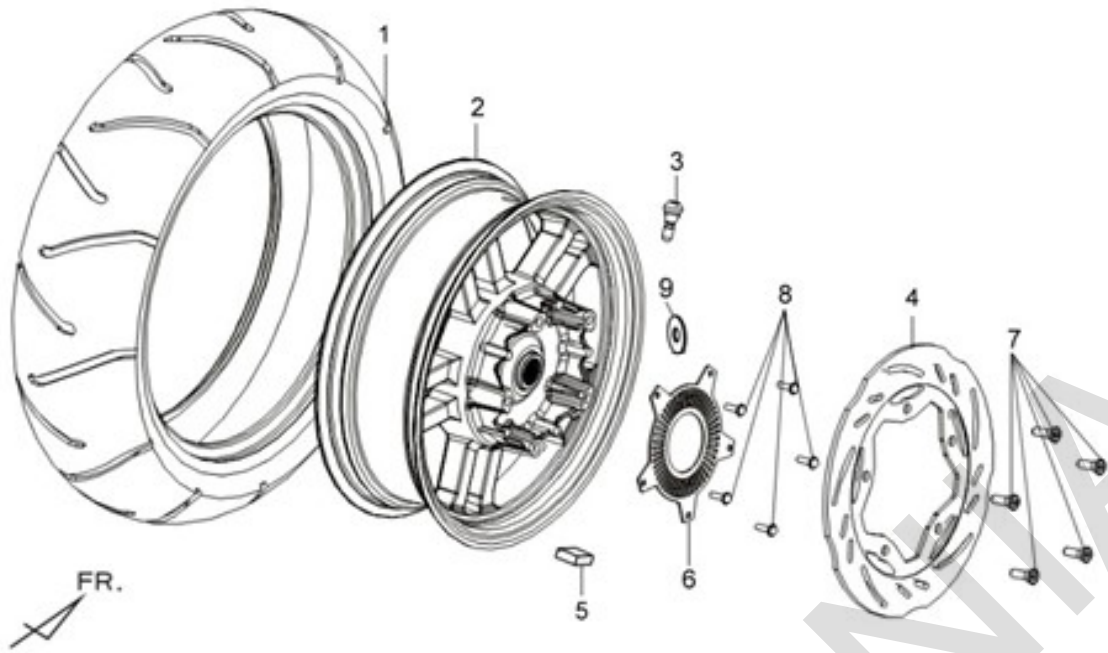
※ Please check the color & stripe information according to the color index !

TEAMWORLD IND. 2011.05

※N/A = SUBSTITUTE

※Y = EXCHANGEABLE

※N =NOT EXCHANGEABLE

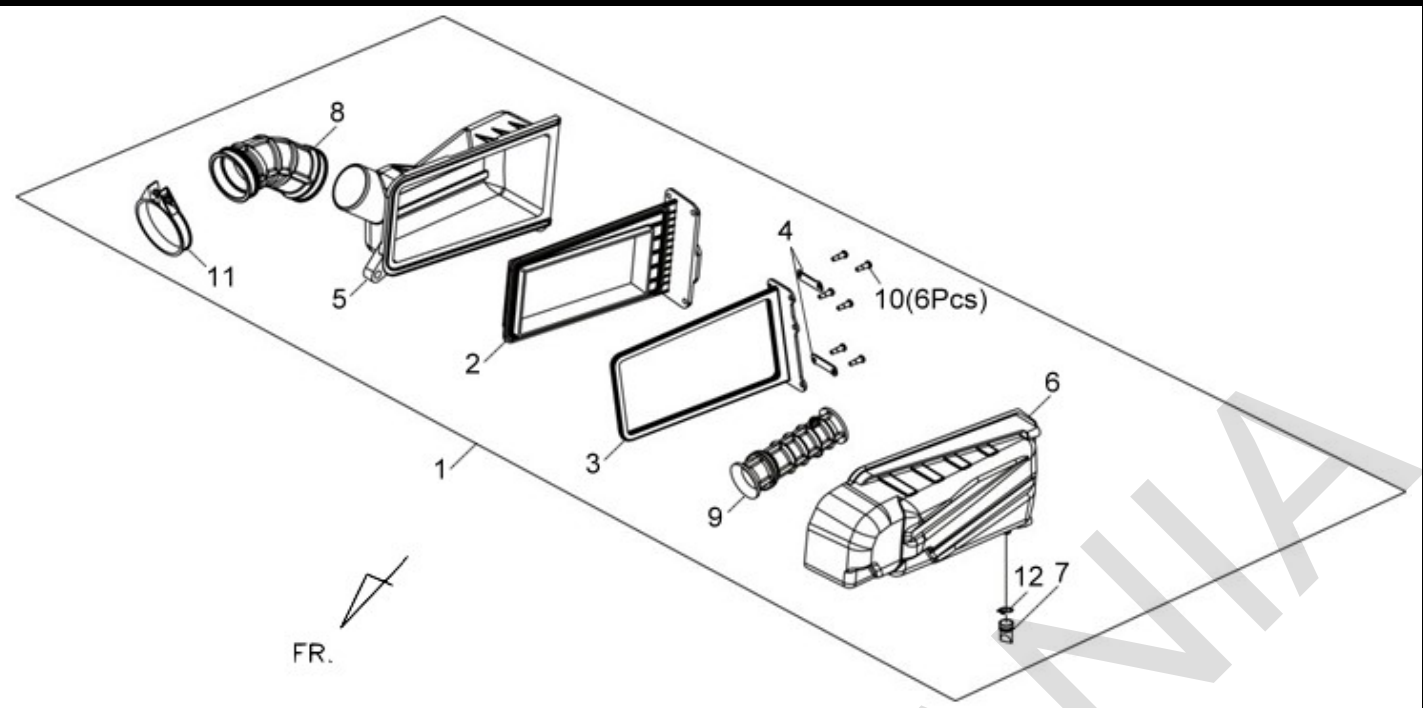


Pictures reference only

PARTS NUMBER	DESCRIPTION	QTY	EFFECTIVE DATE
1 1T011606014-6135	RR.TIRE ASSY.(160/60 R14)	1	
2 42601-L4C-000-KB	RR.CAST WHEEL COMP BK-001C	1	
3 42753-KJ9-000	VALVE RIM (PVR-70B)	1	
4 43121-L4A-000-KB	RR.BRAKE DISK BK-001C	1	
5 44720-H9A-000	BALANCE WEIGHT	1	
6 45120-L4A-000	ABS DETECTIVE DISK	1	
7 90105-KR3-000	FR. DISK BOLT 8X24	5	
8 93500-05012-0A	PAN SCREW 5*12mm	5	
9 94101-16000	PLAIN WASHER 16MM	1	2013/5/2

※ Please check the color & stripe information according to the color index !

※N/A = SUBSTITUTE ※Y = EXCHANGEABLE ※N =NOT EXCHANGEABLE



Pictures reference only

PARTS NUMBER		DESCRIPTION	QTY	EFFECTIVE DATE
1	17200-L4A-000	AIR/C ASSY	1	
2	17211-L4A-000	AIR/C ELEMENT	1	
3	17215-L4A-000	AIR/C ELEMENT RUBBER	1	
4	17219-L4A-000	ELEMENT SETTING PLATE	2	
5	17230-L4A-000	AIR/C CASE	1	
6	17231-L4A-000	AIR/C COVER	1	
7	17234-M51-000	AIR CLEANER DRAIN TUBE	1	
8	17253-L4A-000	AIR/C CONN.TUBE A	1	
9	17255-L4A-000	AIR/C.INLET DUCT	1	
10	90001-L4A-000	SPECIAL BOLT 5*19	6	
11	90652-REA-000	A/C CONNECTING TUBE BAND 62	1	
12	95002-80000	TUBE CLIP C12	1	

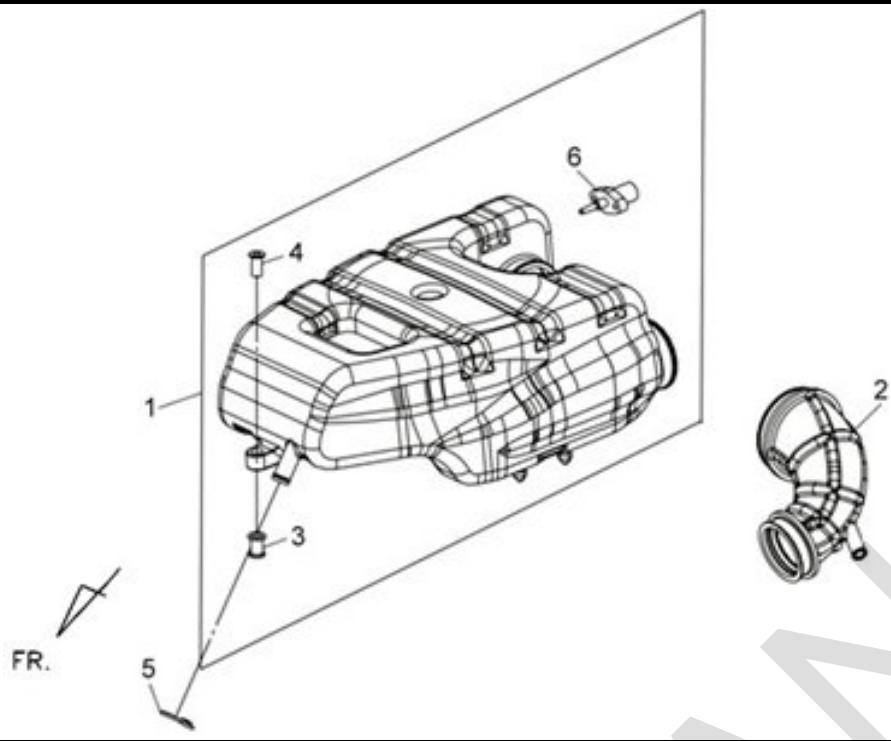
※ Please check the color & stripe information according to the color index !

※N/A = SUBSTITUTE

※Y = EXCHANGEABLE

※N = NOT EXCHANGEABLE

MOTOMANIA



Pictures reference only

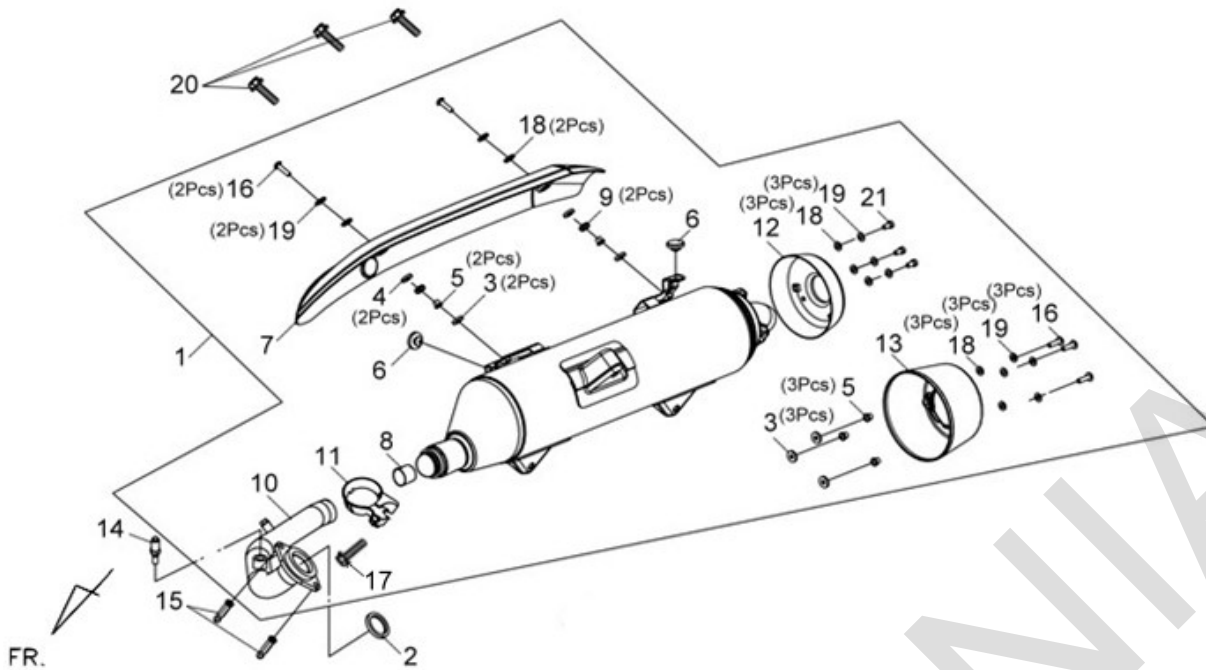
PARTS NUMBER		DESCRIPTION	QTY	EFFECTIVE DATE
1	1723A-L4A-000	AIR/C BOX ASSY	1	
2	17254-L4A-000	AIR/C CONNECTING TUBE B	1	
3	17258-L4A-000	AIR BOX RUBBER	1	
4	17257-L4A-000	AIR BOX COLLAR	1	
5	18533-M7Q-000	AIR HOSE CLIP 19	1	
6	37830-HMC-000	AIR TEMP SENSOR	1	

※ Please check the color & stripe information according to the color index !

※N/A = SUBSTITUTE

※Y = EXCHANGEABLE

※N =NOT EXCHANGEABLE



Pictures reference only

PARTS NUMBER	DESCRIPTION	QTY	EFFECTIVE DATE
1 18000-L4A-000	EXH.MUFFLER ASSY	1	
2 18291-REA-000	EXH.PIPE GASKET	1	
3 18292-F3E-000	PROTECTOR PACKING A	5	
4 18293-F3E-000	PROTECTOR PACKING	2	
5 18295-F3E-000	COLLAR M6	5	
6 18316-L4A-000	MUFF.PROTECTOR STAY A RUBBER	2	
7 18318-L4A-000	MUFFLER PROTECTOR	1	
8 18319-REA-300	MUFFLER GASKET	1	
9 18320-F3E-000	PROTECTOR RUBBER	2	
10 18320-L4A-300	EXH.PIPE COMP	1	
11 18321-REA-000	MUFFLER BAND	1	
12 18324-L4A-000	OUTER TAIL CAP COMP	1	
13 18328-L4A-000	MUFFLER REAR PROTECTOR	1	
14 37890-A5L-000	O2 SENSOR	1	
15 90043-HMA-000	CAP NUT	2	
16 90116-L4A-000	SPECIAL BOLT M6*22	5	
17 93401-06010-07	WASHER BOLT 6*10	1	
18 94101-06700	PLAIN WASHER 6MM	8	
19 94111-06700	SPRING WASHER 6MM	8	
20 95801-08065-07	FLANGE BOLT 8X65	3	
20 95801-08060-07	FLANGE BOLT 8X65	3	2012/5/25
21 96700-06012-08	SOCKET BOLT 6X12	3	

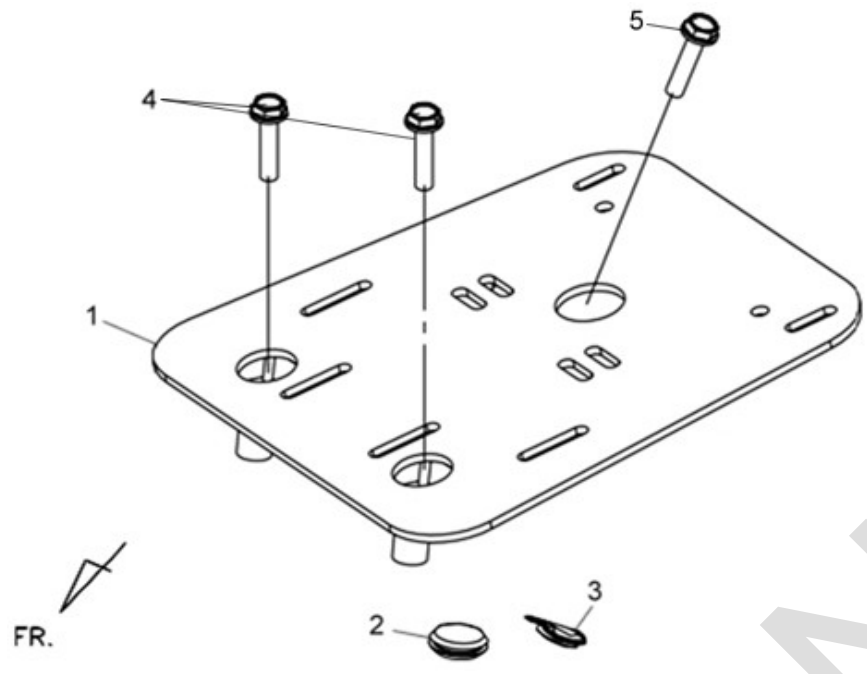
※ Please check the color & stripe information according to the color index !

 TEAMWORLD IND. 2011.05

※N/A = SUBSTITUTE

※Y = EXCHANGEABLE

※N =NOT EXCHANGEABLE



Pictures reference only

PARTS NUMBER	DESCRIPTION	QTY	EFFECTIVE DATE	
1 81300-L4A-000	TRUNK BRACKET	1		
2 81301-L4A-000	RUBBER A	1		
3 81302-L4A-000	RUBBER B	1		
4 95801-08040-07	FLANGE BOLT M8X40	2		
5 95801-08060-07	FLANGE BOLT 8X60	1		

※ Please check the color & stripe information according to the color index !

※N/A = SUBSTITUTE

※Y = EXCHANGEABLE

※N =NOT EXCHANGEABLE

PARTS NO.	NO.	PARTS NO.	NO.	PARTS NO.	NO.
6000		12342-G02-000	E12	14781-M9Q-000-A	E02
06414-L4A-000	E06	12342-G02-000	E13	15000	
06415-HNS-000	E06	12342-G02-000	E16	15100-L4A-000	E19
06416-HNS-000	E06	12342-L4A-000	E01	15126-L4A-000	E19
11000		12342-X01-000	E03	15133-HMA-000	E19
11100-L4A-010	E18	1236A-B04-000	E18	15134-L4A-000	E19
11102-L4A-300	E18	12391-L4A-000	E01	1513A-L4A-000	E19
11106-REA-000	E18	13000		15230-REA-000	E18
11200-L4A-010	E12	13000-L4A-000	E14	15400-L4A-000	E13
11203-L4A-000	E12	13010-L4A-000	E07	15414-N01-000	E13
11203-L4A-000	F40	13101-L4A-000	E07	15421-REA-000	E18
11211-L4A-000	E21	13111-L4A-000	E14	15426-REA-000	E18
1122A-L4A-000	E12	13201-L4A-000	E14	1565A-L4A-000	E16
11330-L4A-000	E16	13300-L4A-000	E20	15711-L4A-000	E18
11332-L4A-000	E16	13322-L4A-000	E14	15711-L4A-002	E18
11333-L4A-000	E16	13331-L4A-310	E14	15712-L4A-000	E19
11344-L4A-000	E11	13380-L4A-000	E14	15714-L4A-000	E01
11346-L4A-000	E11	14000		1571A-L4A-000	E03
1134A-L4A-000	E11	14100-L4A-000	E03	15772-500-013	E21
11352-L4A-000	E10	14105-L4A-000	E04	16000	
11353-L4A-000	E10	14105-REA-000	E04	16201-L4A-000	E06
11354-H3A-000	E10	14108-REA-000	E04	16215-M9Q-300	E16
11356-H3A-000	E10	14151-L4A-000	E19	1621A-L4A-000	E06
1135A-L4A-000	E10	1443A-L4A-000	E02	16401-L4A-000	E06
1136A-L4A-000	E13	1444A-L4A-000	E02	1670A-L4A-000	F11
1137A-HMA-000	E15	14451-L4A-000	E02	16711-M9Q-000	F11
11383-L4A-000	E13	14457-L4A-000	E03	16712-M9Q-000	F11
11394-L4A-000	E05	14510-L4A-000	E04	16730-L4A-000	F11
11395-L4A-000	E11	14520-H6T-000	E07	17000	
12000		14522-H6T-000	E07	17114-L4A-000	E06
12100-L4A-000	E07	14523-M9Q-000	E07	1711A-L4A-000	E06
12100-L4A-000-A	E07	14524-H6T-000	E07	17120-L4A-000	E06
12191-L4A-000	E07	14531-REA-000	E04	17200-L4A-000	F44
12200-L4A-000	E03	14610-L4A-000	E04	17211-L4A-000	F44
12209-H6B-900	E02	14711-L4A-000	E02	17215-L4A-000	F44
12251-L4A-000	E07	14721-L4A-000	E02	17219-L4A-000	F44
12301-L4A-000	E01	14751-REA-000	E02	17221-L4A-000	E11
1231A-L4A-000	E04	14761-REA-000	E02	17230-L4A-000	F44
12342-G02-000	E01	14771-GB4-680	E02	17231-L4A-000	F44
12342-G02-000	E04	14777-REA-000	E02	17234-M51-000	F44

PARTS NO.	NO.	PARTS NO.	NO.	PARTS NO.	NO.
17236-FWA-000	F33	18601-HEB-000	E01	22000	
1723A-L4A-000	F45	18610-L4A-010	E01	22000-L4A-000	E08
17253-L4A-000	F44	18655-L4A-000	E22	22101-L4A-000	E15
17254-L4A-000	F45	18659-L4A-000	E22	22102-L4A-000	E08
17255-L4A-000	F44	19000		22105-L4A-000	E08
17257-L4A-000	F45	19005-L4A-000	F33	22110-L4A-000	E08
17258-L4A-000	F45	19010-L4A-000	F33	22110-L4A-003	E08
17370-M9Q-000	E21	19039-LVA-000	F33	22121-L4A-000-A	E08
17371-M9Q-000	E21	19101-L4A-000	F34	22131-L4A-000	E08
17385-H6A-000	E21	19102-L4A-000	F34	22132-L4A-000-A	E08
1738A-L4A-000	E21	19104-MBO-700	F34	22300-L4A-000	E15
17500-L4A-000	F11	19109-H9A-010	F34	22350-L4A-000	E15
17506-L4A-000	F11	19110-L4A-000	F35	22361-L4A-000	E15
17510-L4A-000	F11	19111-H9A-000	F33	22401-L4A-000	E15
17562-L4A-000	E21	19121-L4C-000	F35	22530-L4A-000-A	E15
17580-L4C-000	F11	19123-L4A-000	F35	22804-L4A-000	E15
17591-HMC-000	E22	19125-L4A-000	F33	23000	
17592-HMC-000	E22	19126-L4C-000	F33	23010-L4A-000	E15
1759A-L4A-000	E22	19215-L4A-000	E16	23200-L4A-000	E15
17620-L4A-000	F11	19217-H9A-300	E16	23220-L4A-000	E15
17788-L4A-000	F11	1922A-L4A-000	E17	23225-L4A-000	E15
17910-L4A-000	F24	19231-L4A-000	E16	23226-HMA-000	E15
17920-L4A-000	F24	19233-L4A-000	E16	23233-L4A-000	E15
18000		19234-L4A-000	E23	23237-L4A-000	E15
18000-L4A-000	F46	19253-L4A-000	E23	23238-L4A-000	E15
18241-L4A-000	E17	19300-HMA-000	E03	23411-L4A-000	E09
18291-REA-000	F46	19315-L4A-000	E03	23411-L4A-010	E09
18292-F3E-000	F46	19320-L4A-000	E03	23421-L4A-000	E09
18293-F3E-000	F46	19501-L4A-000	F35	23422-L4A-010	E09
18295-F3E-000	F46	19502-L4A-000	E23	23431-L4A-000	E09
18316-L4A-000	F46	19503-L4A-000	F35	23432-L4A-000	E09
18318-L4A-000	F46	19504-L4A-000	E23	28000	
18319-REA-300	F46	19505-H5D-000	F11	28100-L4A-000	E18
18320-F3E-000	F46	19505-REA-000	E17	28102-L4A-000	E18
18320-L4A-300	F46	19505-REA-000	E23	28110-L4A-000	E05
18321-REA-000	F46	19505-REA-000	F35	28110-L4A-002	E05
18324-L4A-000	F46	19511-REA-000	F35	2812A-HMA-000	E05
18328-L4A-000	F46	21000		2812A-L4G-000	E05
18533-M7Q-000	E22	21301-L4A-000	E09	30000	
18533-M7Q-000	F45	21395-L4A-000	E09	3043A-REA-000	F08

PARTS NO.	NO.	PARTS NO.	NO.	PARTS NO.	NO.
3051A-L4C-000	F09	34905-A8D-000	F03	38650-L4A-000	F20
31000		34905-T6R-000	F02	38700-L4A-000	F04
31110-L4A-000	E05	34905-T6R-000	F02	38710-L4A-000	F04
31110-L4A-900	E05	35000		3872A-L4A-000	F08
31120-L4A-000	E05	35010-L4A-000	F04	38730-L4C-000	F07
31200-L4A-000	E18	35010-L4A-100	F04	38731-L4C-000	F07
31600-L4A-000	F04	35100-L4A-000	F04	38800-H5B-000	F04
32000		35110-L4A-000	F04	38900-L3A-000	F14
32100-L4C-000	F04	35110-L4A-100	F04	38901-L4C-000	F20
32100-L4C-010	F04	35111-L4A-000-B01/20	F04	42000	
32160-A3A-900	F04	35150-L4C-000	F24	42311-H9A-000	F40
32160-A3A-900	F24	35200-L4C-000	F24	42311-L4A-000	F40
32161-T15-000	F04	35350-KBN-900	F25	42312-L4C-000	F40
32161-T15-000	F34	35370-L4A-000	F28	42601-L4C-000-KB	F43
32411-L4A-000	F04	35380-L4A-000	F04	42753-KJ9-000	F39
32412-L4A-000	F04	35859-M9Q-000	F04	42753-KJ9-000	F43
32415-L4A-000	F04	3585A-L4A-000	F04	43000	
33000		35880-HMB-000	F04	43100-L4A-000-DM	F06
33100-L4A-000	F02	36000		43121-L4A-000-KB	F43
33100-L4A-010	F02	36100-MMA-100	F04	43126-L4C-000	F06
3310A-L4A-000	F02	36500-HMA-000	F10	43140-L4A-300	F06
3310A-L4A-010	F02	36600-L4A-000	F28	43146-L4A-000	F40
33124-HWA-000	F02	37000		43313-L4C-000	F06
33150-L4A-000	F02	37119-L4C-000	F01	43315-L4C-000	F05
33150-L4A-010	F02	37200-L4C-000	F01	43500-L4C-000	F06
33415-L4A-000	F02	37200-L4C-010	F01	43507-L4A-300	F05
33455-L4A-000	F02	37200-L4C-020	F01	43507-L4A-300	F06
33700-L4A-000	F03	37240-L4A-000	E12	43509-L4A-300	F06
33705-L4A-000	F03	37750-PC1-004	E03	43514-L4A-300	F06
33706-L4A-000	F03	37760-HMA-000	F33	44000	
33740-E4D-010	F32	37800-L4A-000	F11	44301-L4A-000	F38
33742-F3H-000	F38	37801-A5L-000	F11	44312-L4A-000	F38
33743-REC-000	F32	37804-LEA-000	F11	44313-L4A-000	F38
33750-L4A-000	F03	37830-HMC-000	F45	44601-L4A-000-KB	F39
33755-L4A-000	F03	37880-HMC-000	E03	44620-L4A-000	F39
33756-L4A-000	F03	37890-A5L-000	F46	44720-H9A-000	F39
34000		38000		44720-H9A-000	F43
34901-HMC-000	F02	38110-L4A-000	F04	44870-L4C-000	F38
34901-HMC-000	F02	3850A-HLA-010	F04	44870-L4C-000	F40
34905-A8D-000	F03	38600-L4A-000	F20	44871-L4C-000	F40

PARTS NO.	NO.	PARTS NO.	NO.	PARTS NO.	NO.
44910-L4C-000	F38	50301-HMA-000	F08	5311A-L4A-000-BE	F19
44910-L4C-000	F40	50306-M9Q-000	F37	5311A-L4A-000-IP	F19
45000		50308-HMA-000	F37	5311A-L4A-000-JH	F19
45100-L4C-000-DM	F05	50310-L4A-000	F02	5311A-L4A-000-KX	F19
45108-L4A-300	F05	50315-L4C-000	F08	5311A-L4A-000-QU	F19
45108-L4A-310	F05	50350-L4A-000	F09	5312A-L4A-000	F19
45109-L4A-300	F05	50356-L4A-000	F09	5312B-L4A-000	F19
45111-L4A-300	F05	50367-L4A-000	F09	53131-RCA-010	F37
45113-L4A-300	F05	50502-GY6-900	F42	53140-L4A-000	F24
45116-L4A-310	F05	50505-H3A-000	F42	53166-L4A-000	F24
45120-L4A-000	F39	50506-H3A-000	F42	53171-L4A-000	F25
45120-L4A-000	F43	5050A-L4A-000	F42	53174-RCA-000	F16
45121-L4A-000-KB	F39	5052A-H9A-000	F42	5317A-L4A-000	F25
45122-L4A-000-KB	F39	5052A-L4C-000	F42	53200-L4A-000	F37
45125-L4A-000	F40	50530-L4A-000	F10	53208-L4A-000-KA	F22
45126-L4C-000	F05	5053A-HMA-000	F10	53208-L4A-005-KA	F22
45130-L4A-300	F05	50548-L4A-000	F20	53209-L4A-010	F14
45130-L4A-310	F05	50613-L4A-000	F36	5320G-L4A-000-BE	F14
45145-L4C-000	F37	50614-L4A-000	F36	5320G-L4A-000-IP	F14
45156-L4C-000	F38	50621-L4A-000	F36	5320G-L4A-000-JH	F14
45200-L4C-000-DM	F05	50622-L4A-000	F36	5320G-L4A-000-KX	F14
45450-L4A-000	F25	50623-L4A-000	F36	5320G-L4A-000-QU	F14
45500-L4A-000	F05	50624-L4A-000	F36	53211-HMA-000	F08
45506-L4A-300	F05	50625-L4A-000	F36	53214-L4A-000	F37
45506-L4A-300	F06	50626-HMA-000	F36	53215-HMA-000	F08
45508-L4A-300	F05	50627-HMA-000	F36	53215-L4C-000	F14
45508-L4A-300	F06	50629-HMA-000	F36	53216-L4C-000	F20
45509-L4A-300	F05	5062A-L4A-000	F36	53220-HMA-000	F37
45510-L4A-300	F05	5062B-L4A-000	F36	53222-L4A-000	F22
45510-L4A-300	F06	51000		53222-L4A-001	F22
45514-L4A-300	F05	51400-L4A-000-KB	F38	53223-L4A-000	F22
45517-L4A-000	F24	51401-L4G-000	F38	53223-L4A-001	F22
45517-L4A-300	F05	51500-L4A-000-KB	F38	53224-L4A-000	F22
45517-L4A-300	F06	51501-L4G-000	F38	53228-L4A-000	F22
45518-L4A-000	F24	52000		53229-L4A-000	F22
46000		5210A-L4A-000	F40	53230-L4A-000	F22
46303-HMA-000	F05	52400-L4A-000-KB	F41	53231-L4A-000	F37
50000		53000		53232-L4A-000	F22
5010N-L4A-001	F08	53100-L4A-000	F24	53232-L4A-001	F22
50300-L4A-000	F08	53104-N02-000	F24	53233-L4A-000	F22

PARTS NO.	NO.	PARTS NO.	NO.	PARTS NO.	NO.
53233-L4A-001	F22	67110-L4A-000-KA	F18	81000	
61000		67112-L4A-000	F18	81141-L4A-000-BE	F21
61100-L4A-000-BE	F23	67114-L4A-000	F18	81141-L4A-000-IP	F21
61100-L4A-000-IP	F23	74000		81141-L4A-000-JH	F21
61100-L4A-000-JH	F23	74480-L4A-000	F30	81141-L4A-000-KX	F21
61100-L4A-000-KX	F23	74481-L4A-000	F30	81141-L4A-000-QU	F21
61100-L4A-000-QU	F23	75000		81142-L4A-000	F21
61104-APA-000	F18	75581-A16-000	F21	81144-L4A-000	F21
61105-L4A-000	F23	77000		81145-L4A-000	F20
61105-RCA-000	F24	77100-L4A-000	F26	81146-L4A-000	F21
61201-APA-000	F18	77115-L4A-000	F29	81147-L4A-000	F20
64000		77201-L4A-000	F30	81148-L4A-000	F21
64300-L4A-000	F15	77203-HMA-010	F26	81149-L4A-000	F20
64301-L4A-000-BE	F14	77230-L4A-000	F28	8114A-L4A-000	F20
64301-L4A-000-IP	F14	77233-L4A-000	F21	81151-L4A-000	F22
64301-L4A-000-JH	F14	77236-L4A-000	F28	81152-L4A-000	F22
64301-L4A-000-KX	F14	77238-L4A-000	F28	81153-L4A-000	F22
64301-L4A-000-QU	F14	77240-L4A-000	F28	81155-L4A-000	F22
64303-LEA-000	F17	77300-L4A-000	F26	81156-L4A-000	F22
64305-L4A-000	F15	77302-L4A-000	F26	81159-L4A-000	F20
64306-L4A-000-KA	F14	77401-L4A-000	F27	81204-L4A-000	F13
64306-LEA-000	F17	77402-L4A-000	F27	81205-L4A-000	F13
64308-L4A-000-KA	F14	77403-L4A-000	F27	81231-L4A-010-KA	F20
64311-L4A-000-KA	F31	77405-L4A-000	F12	81245-L4C-000	F33
64312-L4C-000	F33	77405-L4A-000	F27	8124A-L4C-000	F20
64313-L4A-000	F31	77406-L4A-000-BE	F27	81250-L4A-000	F28
64313-L4A-100	F31	77406-L4A-000-IP	F27	81251-L4A-000	F28
64314-L4A-000	F31	77406-L4A-000-JH	F27	81254-L4A-000	F29
64315-L4A-000-KA	F31	77406-L4A-000-KX	F27	81256-L4A-000	F29
64315-L4A-100-KA	F31	77406-L4A-000-QU	F27	81258-L4A-000	F29
64316-L4A-000	F13	7741A-L4A-000-BE1	F27	81259-L4A-000	F28
6431A-L4A-000-KA	F17	7741A-L4A-000-IP1	F27	81300-L4A-000	F47
64320-L4A-000	F31	7741A-L4A-000-JH1	F27	81301-L4A-000	F47
64321-L4A-000-KA	F17	7741A-L4A-000-KX1	F27	81302-L4A-000	F47
64322-L4A-000-KA	F17	7741A-L4A-000-QU1	F27	81310-L4A-000-BE	F13
64323-L4A-000-KA	F17	80000		81310-L4A-000-IP	F13
64324-L4A-000-KA	F17	80100-L4A-000	F32	81310-L4A-000-JH	F13
6433A-L4A-000	F17	80103-X01-000	F07	81310-L4A-000-KX	F13
67000		80104-L4A-000	F28	81310-L4A-000-QU	F13
6710A-L4C-000	F18	80104-X01-000	F07	81320-L4A-000-BE	F13

PARTS NO.	NO.	PARTS NO.	NO.	PARTS NO.	NO.
81320-L4A-000-IP	F13	8362A-L4C-000-BE	F16	87553-VS1-100	F12
81320-L4A-000-JH	F13	8362A-L4C-000-IP	F16	87553-VS1-100	F12
81320-L4A-000-KX	F13	8362A-L4C-000-JH	F16	87553-VS1-100	F19
81320-L4A-000-QU	F13	8362A-L4C-000-KX	F16	87553-VS1-100	F19
83000		8362A-L4C-000-QU	F16	87553-VS1-100	F19
83501-L4C-000	F12	83630-L4A-000	F13	87553-VS1-100	F19
83501-L4C-000	F12	8365G-L4A-000-BE	F12	87553-VS1-100	F19
83501-L4C-000	F12	8365G-L4A-000-IP	F12	87553-VS1-100	F19
83501-L4C-000	F12	8365G-L4A-000-JH	F12	88000	
83501-L4C-000	F12	8365G-L4A-000-KX	F12	88110-L4A-002	F24
83501-L4C-000	F12	8365G-L4A-000-QU	F12	88110-L4A-900-IP	F24
83501-L4C-000	F12	87000		88110-L4A-900-JH	F24
83501-L4C-000	F12	87129-HML-000	F12	88110-L4A-900-KX	F24
83501-L4C-000	F12	87129-HML-000	F12	88110-L4A-900-QU	F24
83501-L4C-000	F12	87129-HML-000	F12	88111-L4A-000	F24
8350G-L4C-000-BE	F12	87129-HML-000	F12	88111-L4A-000	F24
8350G-L4C-000-IP	F12	87129-HML-000	F12	88120-L4A-002	F24
8350G-L4C-000-JH	F12	87129-HML-000	F12	88120-L4A-900-IP	F24
8350G-L4C-000-KX	F12	87129-HML-000	F12	88120-L4A-900-JH	F24
8350G-L4C-000-QU	F12	87129-HML-000	F12	88120-L4A-900-KX	F24
83521-L4C-000	F16	87129-HML-000	F12	88120-L4A-900-QU	F24
83521-L4C-000	F16	87129-HML-000	F12	89000	
83521-L4C-000	F16	87131-L4A-000	F12	89010-L4C-000	F04
83521-L4C-000	F16	87131-L4A-000	F12	89010-M92-000	F04
83521-L4C-000	F16	87131-L4A-000	F12	90000	
83521-L4C-000	F16	87131-L4A-000	F12	90001-L4A-000	F44
83521-L4C-000	F16	87131-L4A-000	F12	90001-M9Q-000	E07
83521-L4C-000	F16	87132-L4A-000	F12	90001-M9Q-000	E23
83521-L4C-000	F16	87132-L4A-000	F12	90002-HMA-000	E01
83521-L4C-000	F16	87132-L4A-000	F12	90012-HLK-000	E02
8352A-L4C-000-BE	F16	87132-L4A-000	F12	90031-L4A-000	E12
8352A-L4C-000-IP	F16	87132-L4A-000	F12	90031-L4A-000	E18
8352A-L4C-000-JH	F16	87553-L4A-000	F14	90034-HMA-000	E03
8352A-L4C-000-KX	F16	87553-L4A-000	F14	90035-KZ1-000	E12
8352A-L4C-000-QU	F16	87553-L4A-000	F14	90043-HMA-000	F46
8360G-L4C-000-BE	F12	87553-L4A-000	F14	9008A-H9A-000	E16
8360G-L4C-000-IP	F12	87553-L4A-000	F14	90101-L4A-000	F13
8360G-L4C-000-JH	F12	87553-VS1-100	F12	90102-L4A-000	F05
8360G-L4C-000-KX	F12	87553-VS1-100	F12	90103-L4A-000	F27
8360G-L4C-000-QU	F12	87553-VS1-100	F12	90104-LEA-000	F06

PARTS NO.	NO.	PARTS NO.	NO.	PARTS NO.	NO.
90105-G19-000	F13	90304-B7A-000	F40	90701-L4A-000	E18
90105-KR3-000	F39	90304-L4A-000	F37	90703-M8Q-000	E09
90105-KR3-000	F43	90304-M9Q-000	F41	90754-H9A-000	F40
90105-L4A-000	F09	90304-M9Q-000	F42	90755-H3C-000	F40
90106-L4A-000	F30	90305-M9Q-000	F20	90912-M9Q-000-M1	F09
90106-LEA-000	F11	90305-M9Q-000	F28	91000	
90107-L4A-000	F09	90305-M9Q-000	F29	91001-L4A-000	E14
90108-HMA-000	F10	90305-M9Q-900	F40	91001-X06-911-M1	E09
90108-L4A-000	F09	90306-M9Q-000	F09	91002-L4A-000	E09
90109-L4A-000	F09	90308-X04-000	F12	91003-L4A-000	E14
90111-M9Q-900	F20	90308-X04-000	F14	91003-REA-000	E14
90111-N01-000	F33	90308-X04-000	F15	91004-L4A-000	E16
90111-N24-000	F02	90308-X04-000	F17	91006-L4A-300	E15
90112-M9Q-000	F09	90308-X04-000	F19	91007-HMA-300	E15
90112-N01-000	F14	90308-X04-000	F20	91104-BAA-000	E12
90112-N01-000	F28	90308-X04-000	F28	91203-L4A-010	E16
90114-A5L-000	F38	90308-X04-000	F29	91204-HMA-000	E09
90115-G02-000	E10	90308-X04-000	F31	91204-L4A-000	E09
90115-G02-000	F13	90401-KJ9-000	E05	91206-L4A-000	E08
90115-G02-000	F28	90401-KJ9-000	E08	91209-L4A-000	E12
90115-G02-000	F29	90401-KJ9-000	E15	91211-HMA-000	E15
90115-REA-000	F14	90401-L4A-000	E09	91211-RCA-000	F39
90115-REA-000	F19	90402-BAA-000	E09	91255-L4A-000	F38
90115-REA-000	F28	90423-KJ9-000	E16	91256-L4A-000	F38
90116-HHA-000	F42	90442-HMA-000	E03	91301-L4A-000	E04
90116-L4A-000	F46	90442-HMA-000	E19	91302-L4A-000	E17
90117-L4A-000	F42	90481-B04-010	E17	91303-377-000	E16
90121-L4A-000	F09	90481-M9Q-000	E12	91303-B08-000	E18
90145-M9Q-000	F05	90503-B06-000	F37	91303-L4A-000	E13
90145-M9Q-000	F06	90545-M9Q-000	F05	91305-HMA-000	E15
90157-F3G-000	E05	90545-M9Q-000	F06	91306-N01-010	E18
90201-KR8-751-M1	E05	90601-L4A-000	E14	91307-035-000	E16
90201-KR8-751-M1	E08	90602-HMA-000	E15	91308-L4A-000	E06
90201-KR8-751-M1	E15	90603-L4A-000	E15	91310-REA-000	E13
90202-HMA-000	E15	90605-166-720	F36	91310-REA-000	E18
90206-HLK-000	E02	90652-L4A-000	E06	91405-SS0-003	F33
90302-M92-000	F18	90652-REA-000	F44	92000	
90302-M92-000	F18	90682-SB0-671	F33	92101-05016-0H	E05
90302-M92-000	F29	90682-V02-900	E21	92101-06016-0H	E04
90303-RCA-000	F32	90701-HB6-010	E14	92800-12000	E12

PARTS NO.	NO.	PARTS NO.	NO.	PARTS NO.	NO.
92900-06032-0B	E03	93903-35220	F13	94101-08800	F30
93000		93903-35220	F17	94101-08800	F37
93401-06010-07	F46	93903-35220	F28	94101-12800	F41
93401-06020-07	E17	93903-35220	F32	94101-16000	F43
93404-06012-07	F11	93903-35280	F02	94102-08800	F42
93404-06012-07	F34	93903-35280	F03	94103-05800	F28
93404-06016-07	F10	93903-35280	F12	94103-06700	F38
93404-06016-07	F13	93903-35280	F14	94103-10000	F41
93404-06016-07	F14	93903-35280	F15	94103-12800	F09
93404-06016-07	F15	93903-35280	F16	94109-12000	E12
93404-06016-07	F17	93903-35280	F19	94111-06700	F46
93404-06016-08	F20	93903-35280	F20	94201-25200	F42
93404-06020-07	F33	93903-35280	F22	94251-08400	F30
93500-04012-0H	F04	93903-35280	F26	94301-08140	E16
93500-05012-0A	F39	93903-35280	F27	94301-08140	E17
93500-05012-0A	F43	93903-35280	F31	94301-08140	E18
93500-05014-0G	F25	93903-35380	F19	94301-12200	E07
93500-05016-0H	F32	93903-44380	F14	94301-12200	E18
93600-06025-0H	E19	93903-44380	F18	94301-14200	E18
93891-04012-08	F14	93903-44380	F29	94510-10000	E19
93891-04022-08	F04	93903-443G0	F18	94520-32000	E05
93891-05008-08	F04	93903-45280	F20	94520-32000	E16
93891-05012-07	F24	93903-45380	F14	94524-47000	F40
93891-05012-08	F12	93903-HGC-000	F11	95000	
93891-05012-08	F28	94000		95002-02080	F34
93892-04016-08	F25	94001-05070-0S	F25	95002-02130	F33
93892-04016-08	F25	94030-08080	F10	95002-40730-08	E03
93892-05012-08	F36	94050-04080	F25	95002-40730-08	E16
93901-25180	F31	94050-05080	F32	95002-40800-08	F33
93903-24380	F02	94050-06000	E06	95002-80000	E21
93903-24380	F04	94050-06070	F04	95002-80000	F44
93903-24380	F28	94050-06070	F07	95003-23012-60	E21
93903-34280	F18	94050-06070	F29	95003-23028-60	E21
93903-34280	F22	94050-06070	F30	95701-08012-00	E17
93903-34380	F14	94050-06070	F32	95701-08040-00	E09
93903-34380	F18	94050-06070	F38	95801-06012-07	F07
93903-34380	F20	94050-08080	F08	95801-06012-07	F28
93903-34380	F21	94050-10080	E03	95801-06012-07	F33
93903-34380	F27	94050-10080	E19	95801-06012-07	F40
93903-344G0	F18	94101-06700	F46	95801-06012-08	F02

PARTS NO.	NO.	PARTS NO.	NO.	PARTS NO.	NO.
95801-06012-08	F04	96001-06018-00	E13	2V08-0056	F05
95801-06012-08	F11	96001-06020-00	E22	OTHER	
95801-06012-08	F14	96001-06025-00	E03	FE881-283-03	F38
95801-06012-08	F25	96001-06025-00	E11	FE881-284-03	F38
95801-06012-08	F35	96001-06025-00	E17	FE881-303-00	F38
95801-06012-08	F37	96001-06025-00	E18	OTHER	
95801-06012-08	F38	96001-06030-00	E05	FF501-380-00	F38
95801-06016-07	F05	96001-06030-00	E17		
95801-06016-07	F40	96001-06035-00	E11		
95801-06016-08	F04	96001-06035-00	E16		
95801-06016-08	F20	96001-06050-00	E06		
95801-06018-07	F04	96001-06060-00	E11		
95801-06020-07	F07	96001-06060-00	E12		
95801-06022-07	F24	96001-06075-00	E12		
95801-06025-07	F18	96100-62013-00	E05		
95801-08012-07	F04	96100-62013-00	E16		
95801-08016-07	F36	96100-62040-00	E09		
95801-08035-07	F37	96100-62050-00	E09		
95801-08040-07	F47	96150-60033-10	F09		
95801-08045-08	F37	96150-60033-10	F39		
95801-08060-07	F46	96150-60060-10	E11		
95801-08060-07	F47	96150-62060-10	E09		
95801-08065-07	F46	96150-63033-10	F40		
95801-08065-08	F08	96205-12012	E14		
95801-10045-07	F41	96220-30085	E16		
95801-10075-07	F40	96700-06012-08	F46		
95801-12065-07	F09	96700-08035-00	F38		
96000		DRIVE BELT			
96001-06012-00	E01	1B01L4A01	E15		
96001-06012-00	E12	CAM CHAIN			
96001-06012-00	E18	1C14401-L4A-000	E04		
96001-06012-00	E19	1C15141-V02-000	E19		
96001-06012-00	F38	SPARK PLUG			
96001-06014-00	E11	1PCR8E-3	E03		
96001-06014-00	E18	TIRE			
96001-06014-00	E19	1T011207015-6135	F39		
96001-06016-00	E01	1T011606014-6135	F43		
96001-06016-00	E03	BATTERY			
96001-06016-00	E16	1Y01L4A01-Y	F04		
96001-06018-00	E04	OTHER			

MODEL : LX40A2-6

ITEM	PAGE	ORIGINAL NUMBER	DESCRIPTION	REVISED NUMBER	DESCRIPTION	EFFECTIVE DATE	REVISE DATE	CHANGE DETAILS	MODIFIED BY
1	E09	23411-L4A-000	DRIVE SHAFT	23411-L4A-010			2012/3/9	ADD	MOON
2	E08	22110-L4A-000	MOVABLE DRIVE FACE COMP	22110-L4A-003		2011/7/18	2012/3/9	DESIGN CHANGE(25-18783)	MOON
3	F22	53208-L4A-000-KA	METER PANEL BK-001U	53208-L4A-005-KA		22.08.2011	2012/03/15	DESIGN CHANGE(25-18721)	WINNI
4	E04			91301-L4A-000	HEAD R. SIDE COVER O-RING		2012/3/16	ADD	MOON
5	F20			38901-L4C-000	AUTO LIGHT UNIT		2012/3/16	ADD	MOON
6	F20			53216-L4C-000	LIGHT SYSTEM STAY		2012/3/16	ADD	MOON
7	F20			8124A-L4C-000	AIR DUCT ASSY		2012/3/16	ADD	MOON
8	F20			90111-M9Q-900	FLANGE BOLT(MFZn2-C)6MM		2012/3/16	ADD	MOON
9	F20			93903-34380	TAPPING SCREW 4X12		2012/3/16	ADD	MOON
10	F20			93903-45280	TAPPING SCREW 5X12		2012/3/16	ADD	MOON
11	E15	23225-HMA-000	ROLLER GUIDE PIN	23225-L4A-000			2012/3/19	REVISED	MOON
12	F05			45108-L4A-300	M-PAD SPRING		2012/3/19	ADD	MOON
13	F05			45113-L4A-300	HANGER PIN		2012/3/19	ADD	MOON
14	F05			43507-L4A-300	MASTER CYLINDER CAP		2012/3/19	ADD	MOON
15	F05			45506-L4A-300	M/C LID GASKET		2012/3/19	ADD	MOON
16	F05			45508-L4A-300	MASTER CYLINDER CAP SCREW		2012/3/19	ADD	MOON
17	F05			45510-L4A-300	HANDLE LEVER SCREW		2012/3/19	ADD	MOON
18	F05			45517-L4A-300	DIAPHRAGM PLATE.		2012/3/19	ADD	MOON
19	F06			43507-L4A-300	MASTER CYLINDER CAP		2012/3/19	ADD	MOON
20	F06			45506-L4A-300	M/C LID GASKET		2012/3/19	ADD	MOON
21	F06			45508-L4A-300	MASTER CYLINDER CAP SCREW		2012/3/19	ADD	MOON
22	F06			45510-L4A-300	HANDLE LEVER SCREW		2012/3/19	ADD	MOON
23	F06			45517-L4A-300	DIAPHRAGM PLATE		2012/3/19	ADD	MOON
24	F22	53222-L4A-000	COIN BOX LID HINGE STAY	53222-L4A-001		22.08.2011	2012/03/22	DESIGN CHANGE(25-18721)	WINNI
25	F22	53223-L4A-000	STOPPER RUBBER STAY	53223-L4A-001		22.08.2011	2012/03/22	DESIGN CHANGE(25-18721)	WINNI
26	F22	53232-L4A-000	L.COIN BOX LID HINGE STAY	53232-L4A-001		22.08.2011	2012/03/22	DESIGN CHANGE(25-18721)	WINNI
27	F22	53233-L4A-000	L.STOPPER RUBBER STAY	53233-L4A-001		22.08.2011	2012/03/22	DESIGN CHANGE(25-18721)	WINNI
28	F04	35110-L4A-000	SHUTTER COMP	35110-L4A-000-B01/20			2012/04/17	REVISED	WINNI
29	F34	19102-REA-000	RESERVE TANK TUBE B				2012/4/26	DEL	MOON
30	F34	95002-02130	TUBE CLIP B 12.5				2012/4/26	DEL	MOON
31	F34			19102-L4A-000	TUBE CLAMP		2012/4/26	ADD	MOON
32	F16			53174-RCA-000	STOPPER RUBBER		2012/4/26	ADD	MOON
33	F16			83521-L4C-000	SYM MARK (70 STRIPE)		2012/4/26	ADD	MOON
34	F14			38900-L3A-000	AUTO LIGHT SENSOR		2012/5/15	ADD	MOON
35	F14			53215-L4C-000	LIGHT SENSOR STAY		2012/5/15	ADD	MOON
36	F14			93891-04012-08	SCREW WASH 4X12		2012/5/15	ADD	MOON
37	F46	95801-08065-07	FLANGE BOLT 8X65	95801-08060-07		2012/5/28	2012/5/28	DESIGN CHANGE(25-00009)	MOON
38	F04	35110-L4A-000-B01/20	SHUTTER COMP	35110-L4A-000	SHUTTER COMP		2012/6/11	REVISED	NICOLE
39	F36	50613-L4A-300	RH. STEP BAR BRKT.	50613-L4A-000	RH PILLION STEP BRKT.		2012/6/15	REVISED	MOON
40	F36	50614-L4A-300	LH. STEP BAR BRKT.	50614-L4A-000	LH PILLION STEP BRKT.		2012/6/15	REVISED	MOON
41	F01	37200-L4C-000	SPEEDMETER ASSY	37200-L4C-010	SPEEDMETER ASSY	2012/6/1	2012/6/20	DESIGN CHANGE(25-19761)	WINNI
42	F20			81149-L4A-000	FUSE BOX STAY		2012/7/4	ADD	NICOLE
43	F20			81159-L4A-000	FUSE CASE STAY		2012/7/4	ADD	NICOLE
44	F21			81144-L4A-000	INNER BOX LID RUBBER		2012/7/4	ADD	NICOLE
45	F38	44800-L4A-000	SPEED SENSOR	44870-L4A-000	ABS. SPEED SENSOR		2012/7/4	REVISED	NICOLE
46	F40			44870-L4C-000	ABS. SPEED SENSOR		2012/7/4	ADD	NICOLE
47	F40			44871-L4C-000	ABS. SPEED SENSOR BRKT.		2012/7/4	ADD	NICOLE
48	F40			95801-06016-07	FLANGE BOLT 6X16		2012/7/4	ADD	NICOLE
49	F02			34905-T6R-000	WINKER BULB RR 12V10W(E)		2012/7/9	ADD	NICOLE
50	F03			33705-L4A-000	R. TAIL LIGHT LENS ASSY		2012/7/9	ADD	NICOLE
51	F03			33706-L4A-000	R. TAIL LIGHT LED UNIT		2012/7/9	ADD	NICOLE
52	F03			34905-A8D-000	WINKER BULB(12V10W E MARK)		2012/7/9	ADD	NICOLE

53	F03			33755-L4A-000	L. TAIL LIGHT LENS ASSY		2012/7/9	ADD	NICOLE
54	F03			33756-L4A-000	L. TAIL LIGHT LED UNIT		2012/7/9	ADD	NICOLE
55	F02			34901-HMC-000	HEAD LIGHT BULB		2012/7/12	ADD	NICOLE
56	F43			45120-L4A-000	ABS DETECTIVE DISK		2012/7/26	ADD	NICOLE
57	F43			93500-05012-0A	PAN SCREW 5*12mm		2012/7/26	ADD	NICOLE
58	E05	28110-L4A-000	STARTING CLUTCH GEAR COMP	28110-L4A-002	STARTING CLUTCH GEAR CO	2012/7/20	2012/8/15	DESIGN CHANGE(25-20120)	WINNI
59	E05	31110-L4A-000	FLYWHEEL COMP	31110-L4A-900	FLYWHEEL COMP	2012/7/20	2012/8/15	DESIGN CHANGE(25-20120)	WINNI
60	E18	15711-L4A-000	OIL SEPARATOR A	15711-L4A-002	OIL SEPARATOR A	2012/7/20	2012/8/15	DESIGN CHANGE(25-20120)	WINNI
61	E09	90401-L4A-000	THRUST WASHER 18MM	90402-BAA-000	THRUST WASHER 20.2*36*2.5		2012/8/29	REVISED(ITEM : 8)	NICOLE
62	E09			90401-L4A-000	THRUST WASHER 18MM		2012/8/29	ADD(ITEM : 17)	NICOLE
63	E09			91002-L4A-000	NEEDLE BRG. NK18/20R		2012/8/29	ADD	NICOLE
64	E05	2812A-HMA-000	ONE WAY CLUTCH ASSY	2812A-L4G-000	ONE WAY CLUTCH ASSY	2012/7/20	2012/9/11	DESIGN CHANGE(25-20120)	WINNI
65	F05	45130-L4A-300	RH.FR.PAD ASSY	45130-L4A-310	RH.FR.PAD ASSY	2012/9/10	2012/10/5	DESIGN CHANGE(25-20006)	WINNI
66	F05			45109-L4A-300	BLEEDER SCREW		2012/11/26	ADD	NICOLE
67	F05			45111-L4A-300	T-SCREW		2012/11/26	ADD	NICOLE
68	F05			46303-HMA-000	BLEEDER SCREW CAP		2012/11/26	ADD	NICOLE
69	F36			5062A-L4A-000	R. PILLION STEP ASSY		2012/12/24	ADD	NICOLE
70	F36			5062B-L4A-000	L. PILLION STEP ASSY		2012/12/24	ADD	NICOLE
71	F02						2013/2/26	PICTURE CHANGE	NICOLE
72	F02			95801-06012-08	FLANGE BOLT 6X12		2013/2/26	ADD	NICOLE
73	F38	45156-L4A-000	FR. BRAKE HOSE CLAMP	45156-L4C-000	FR. BRAKE HOSE CLAMP		2013/3/12	REVISED	NICOLE
74	F38			33742-F3H-000	SIDE REFLEX REFLECTOR	(Australian version exclu	2013/3/12	ADD	NICOLE
75	F38			44910-L4C-000	ABS. RUBBER BUSH		2013/3/12	ADD	NICOLE
76	F38			51401-L4G-000	FR. RH. REFLECTOR STAY	(Australian version exclu	2013/3/12	ADD	NICOLE
77	F38			51501-L4G-000	FR. LH. REFLECTOR STAY	(Australian version exclu	2013/3/12	ADD	NICOLE
78	F38			94050-06070	FLANGE NUT 6MM	(Australian version exclusive)	2013/3/12	ADD	NICOLE
79	F40			44910-L4C-000	ABS. RUBBER BUSH		2013/3/12	ADD	NICOLE
80	F02	33100-L4A-000	R.HEAD LIGHT ASSY	33100-L4A-010	R.HEAD LIGHT ASSY	2013/2/1	2013/3/19	DESIGN CHANGE(25-20625)	NICOLE
81	F02	3310A-L4A-000	HEAD LIGHT SET	3310A-L4A-010	HEAD LIGHT SET	2013/2/1	2013/3/19	DESIGN CHANGE(25-20625)	NICOLE
82	F02	33150-L4A-000	L.HEAD LIGHT ASSY	33150-L4A-010	L.HEAD LIGHT ASSY	2013/2/1	2013/3/19	DESIGN CHANGE(25-20625)	NICOLE
83	F04	89010-M92-000	TOOL SET	89010-L4C-000	TOOL SET	2013/1/2	21.03.2013	DESIGN CHANGE(25-20531)	NICOLE
84	F18	90302-M92-000	SPRING NUT 4MM	90302-HAA-000	SPRING NUT 4MM	2012/11/12	21.03.2013	DESIGN CHANGE(25-20531)	NICOLE
85	F18	93903-34380 *8	TAPPING SCREW 4X12	93903-34380 *6	TAPPING SCREW 4X12		21.03.2013	REVISED	NICOLE
86	F18	93903-34380 *2	TAPPING SCREW 4X12	93903-44380 *2	TAPPING SCREW 4X12		21.03.2013	REVISED	NICOLE
87	F18	93903-44380 *2	TAPPING SCREW 4X12	93903-443G0 *2	TAPPING SCREW 4X12	2012/11/19	21.03.2013	DESIGN CHANGE(25-20531)	NICOLE
88	F18	93903-443G0 *2	TAPPING SCREW 4X12	93903-344G0 *2	TAPPING SCREW 4X16	2013/3/1	21.03.2013	DESIGN CHANGE(25-20958)	NICOLE
89	F29	93903-24380 *2	TAPPING SCREW 4X12	93903-44380 *2	TAPPING SCREW 4X12		21.03.2013	REVISED	NICOLE
90	F40	42311-H9A-000	RR. AXLE COLLAR	42312-L4C-000	RR. AXLE COLLAR	2012/11/19	21.03.2013	DESIGN CHANGE(25-20531)	NICOLE
91	F40	90305-M9Q-900	U NUT 16 MM	90304-B7A-000	RR.AXLE U NUT 16MM	2012/11/19	21.03.2013	DESIGN CHANGE(25-20531)	NICOLE
92	E21	95003-23028-60	V TUBE 8*12*280	95003-23012-60	V TUBE 8*12*120	2012/11/26	2013/4/3	DESIGN CHANGE(25-20446)	MOON
94	F04	32100-L4C-000	WIRE HARNESS	32100-L4C-010	WIRE HARNESS	2013/3/25	2013/4/9	DESIGN CHANGE(25-20803)	MOON
93	F01	37200-L4C-010	SPEEDMETER ASSY	37200-L4C-020	SPEEDMETER ASSY	2013/4/1	2013/5/15	DESIGN CHANGE(25-20973)	NICOLE
95	F04	35010-L4A-000	KEY SET	35010-L4A-100	KEY SET	2013/4/1	2013/5/15	DESIGN CHANGE(25-20973)	NICOLE
96	F04	35110-L4A-000		35110-L4A-100		2013/4/1	2013/5/15	DESIGN CHANGE(25-20973)	NICOLE
97	F12			8350G-L4C-000-JH	R. BODY COVER ASSY(BK-001UL)		2013/5/15	ADD	NICOLE
98	F12			8360G-L4C-000-JH	L. BODY COVER ASSY(BK-001UL)		2013/5/15	ADD	NICOLE
99	F12			8365G-L4A-000-JH	RR. COVER ASSY(BK-001UL)		2013/5/15	ADD	NICOLE
100	F13			81310-L4A-000-JH	RH. RR. GRIP(BK-001UL)		2013/5/15	ADD	NICOLE
101	F13			81320-L4A-000-JH	LH. RR. GRIP(BK-001UL)		2013/5/15	ADD	NICOLE
102	F14			5320G-L4A-000-JH	FR. UP COVER ASSY(BK-001UL)		2013/5/15	ADD	NICOLE
103	F14			64301-L4A-000-JH	FR. UNDER SPOILER(BK-001UL)		2013/5/15	ADD	NICOLE
104	F16			8352A-L4C-000-JH	R. SIDE COVER ASSY(BK-001UL)		2013/5/15	ADD	NICOLE
105	F16			8362A-L4C-000-JH	L. SIDE COVER ASSY(BK-001UL)		2013/5/15	ADD	NICOLE
106	F19			5311A-L4A-000-JH	UPPER HANDLE COVER ASSY(BK-001UL)		2013/5/15	ADD	NICOLE

零件書各部分件確認

引擎件			須注意的零件料號		
中文名稱	英文名稱	確認	料號	英文名稱	備註
N/A	CYLINDER HEAD COVER	○	06414-XXX-000	FUEL INJECTOR	噴射專用
N/A	IN.VALVE/EX.VALVE	○	12100-XXX-000-A	CYLINDER SET	
N/A	CYLINDER COMP.	○	17200-XXX-000	AIR/C ASSY	
N/A	CYLINDER HEAD SIDE COVER	○	18000-XXX-000	EX. MUFFLER ASSY	
N/A	A.C.G. ASSY	○	18318-XXX-000	MUFFLER PROTECTOR	
N/A	INLET PIPE ASSY.	○			
N/A	CYLINDER SET	○			
N/A	MOVABLE DRIVE FACE ASSY.	○			
N/A	MISSION COVER	○			
N/A	L OUTER COVER ASSY	○			
N/A	L. CRANK CASE COVER ASSY.	○	1961A-XXX-000	FAN COVER ASSY	
N/A	L CRANK CASE COMP	○	1962A-XXX-000	SHROUD A ASSY	
N/A	OIL FILTER COVER COMP	○	1963A-XXX-000	SHROUD B ASSY	
N/A	CRANK SHAFT COMP	○	33100-XXX-000	HADEL LIGHT ASSY	分件是否可拆
N/A	DRIVEN PULLEY ASSY	○	37200-XXX-000	METER ASSY	分件是否可拆
N/A	R. CRANK CASE COVER	○	45100-XXX-000	CALIPER ASSY	
N/A	WATER PUMP COVER ASSY	○	45105-XXX-000-A	BRAKE PAD SET	煞車片
N/A	R CRANK CASE COMP	○			
N/A	OIL PUMP ASSY.	○			
N/A	BALANCE SHAFT COMP	○			
N/A	BREATHER CHAMBER ASSY.	○			
N/A	A.I.S.V. SET	○			
車架件					
中文名稱	英文名稱	確認			
N/A	SPEEDMETER ASSY.	○			
N/A	HEAD LIGHT SET	○			
N/A	BODY COVER	○			
N/A	WIRE HARNESS	○			
N/A	FR BRAKE ASSY	○			
N/A	RR. BRAKE ASSY	○			
N/A	DELAY VALVE ASSY	○			
N/A	FRAME BODY SET	○			
N/A	ENG. HANGER LINK SET	○			
N/A	SIDE STAND COMP	○			
N/A	FUEL TANK ASSY	○			
N/A	BODY COVER	○			
N/A	RR GRIP	○			
N/A	FR UNDER SPOLIER ASSY	○			
N/A	UNDER COVER ASSY	○			
N/A	SIDE COVER ASSY	○			
N/A	FLOOR PANEL ASSY	○			
N/A	WIND SCREEN ASSY	○			
N/A	UPPER HANDLE COVER ASSY	○			
N/A	FR. INNER BOX	○			
N/A	INNER BOX LID	○			
N/A	METER PANEL	○			
N/A	FR. FENDER	○			
N/A	HANDLE ASSY	○			
N/A	PARKING LEVER ASSY	○			

N/A	DOUBLE SEAT ASSY	○			
N/A	BACK SEAT ASSY	○			
N/A	LUGGAGE BOX	○			
N/A	RR. LUGGAGE BOX	○			
N/A	OPEN STAY	○			
N/A	MAINTENANCE COVER ASSY	○			
N/A	RR. FENDER ASSY	○			
N/A	RADIATOR ASSY	○			
N/A	RESERVE TANK ASSY.	○			
N/A	WATER HOSE ASSY	○			
N/A	PILLION STEP ASSY	○	自建碼		
N/A	STRG. STEM COMP.	○	1B	DRIVE BELT	驅動皮帶
N/A	FR.CUSHION COMP	○	1C	CAM CHAIN	凸輪鏈條
N/A	FR. WHEEL ASSY	○	1M	OIL	油類
N/A	RR. FORK ASSY.	○	1P	SPARK PLUGS	火星塞
N/A	RR CUSHION ASSY	○	1T	TIRE	輪胎
N/A	MAIN STAND ASSY.	○	1Y	BATTERY	電池
N/A	RR. WHEEL ASSY	○	機種圖面代號	CARB. FIXING SET	化油器修理包
N/A	AIR/C ASSY.	○	U	RADIATOR COMP	散熱器
N/A	AIR/C BOX ASSY.	○	W/Z	WIND SHIELD PART	風鏡
N/A	EXH. MUFFLER ASSY.	○	圖面方向性	小圖超連結至各頁面	頁碼
N/A	TRUNK BOX BRKT. ASSY [OPTIONAL]	○	Y	Y	Y
N/A	ABS. HYDRAULIC CIRCUIT UNIT ASSY	○	零件書製作人	審核	製作日期
			王牧慈	李政龍	29.02.2012

○代表完成