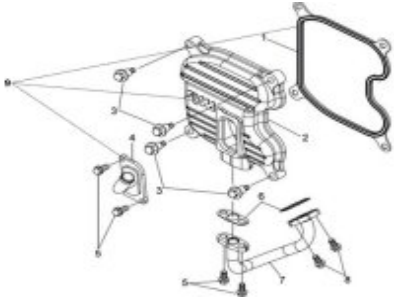


CONTENTS—ENGINE GROUP

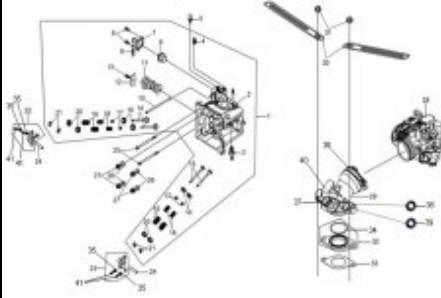
E01

CYLINDER HEAD COVER



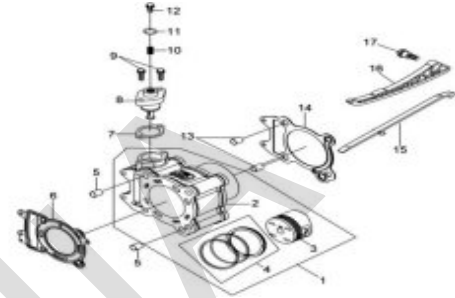
E02

CYLINDER HEAD ASSY.



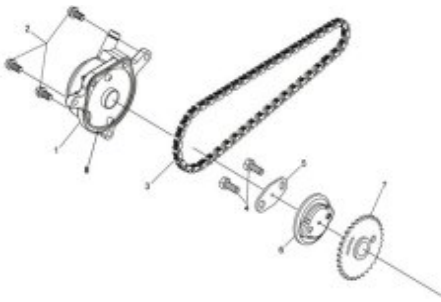
E03

CYLINDER COMP.



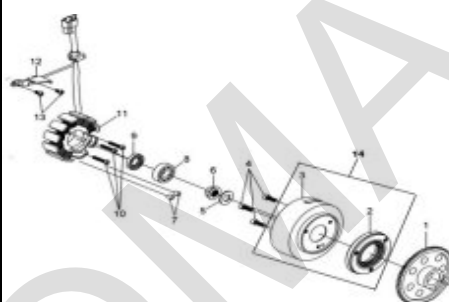
E04

CYLINDER HEAD SIDE COVER



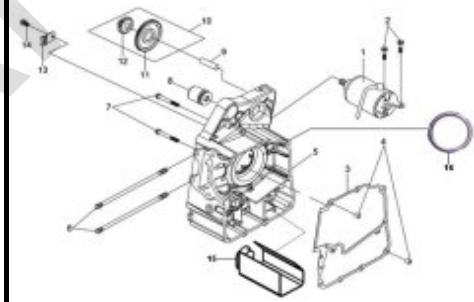
E05

A.C.G. ASSY



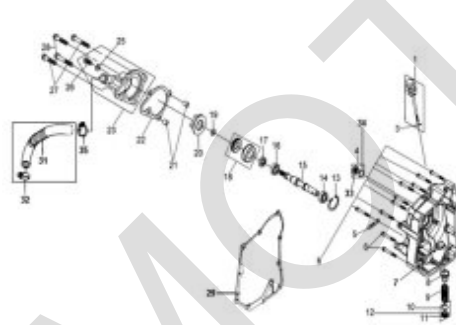
E06

R. CRANK CASE COMP.



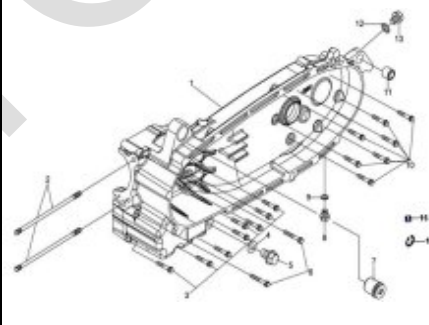
E07

R. CASE COVER



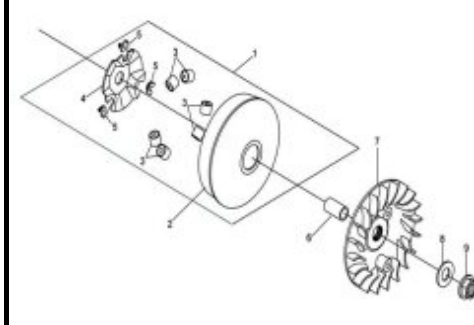
E08

L. CRANK CASE COMP.



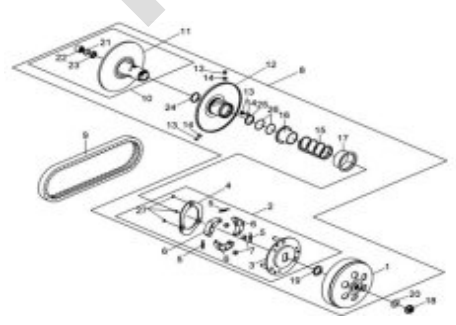
E09

MOVABLE DRIVE FACE ASSY.



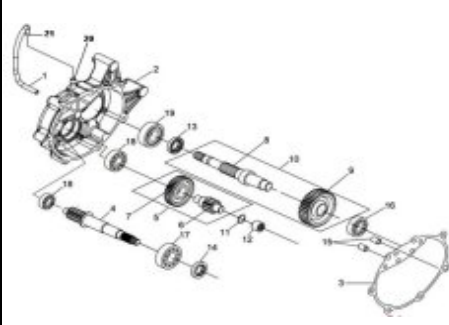
E10

DRIVEN PULLEY ASSY



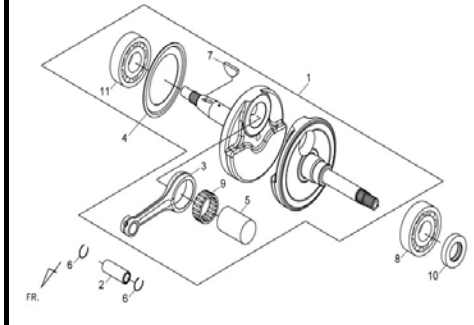
E11

MISSION CASE



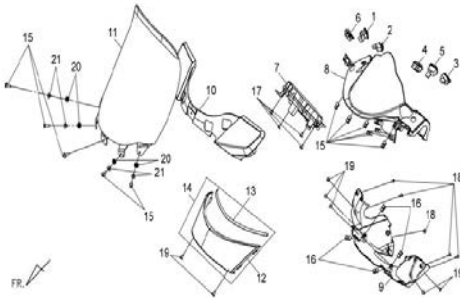
E12

CRANK SHAFT

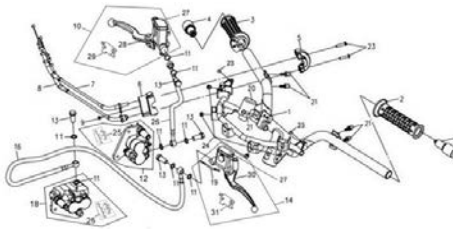


CONTENTS—FRAME GROUP

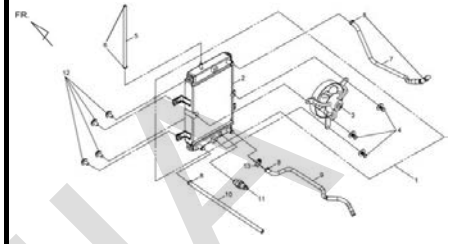
F01
WIND SCREEN&HANDLE COVER



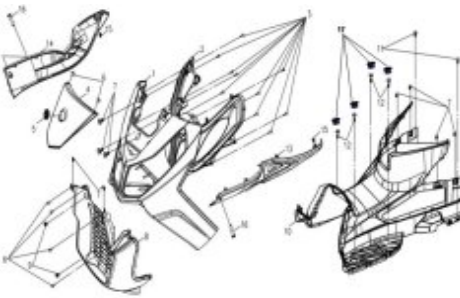
F02
HANDLE STRG&FR/RR.MASTER CYLINDER



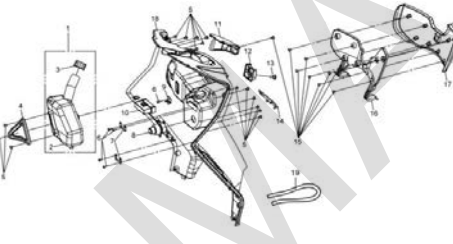
F03
RADIATOR ASSY



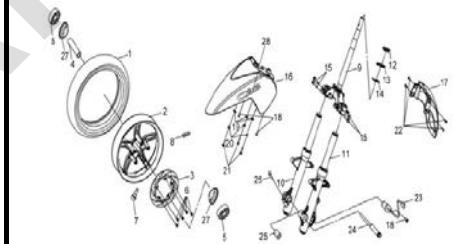
F04
FR.COVER&FLOOR PANEL



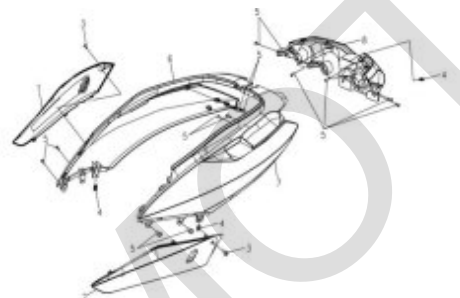
F05
INNER BOX&RESERVE TANK



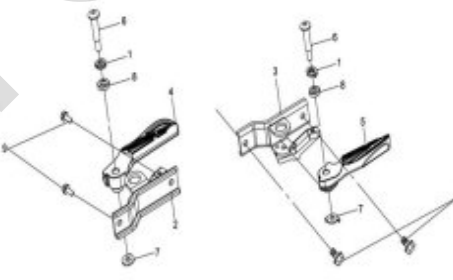
F06
FR WHEEL&FR FORK



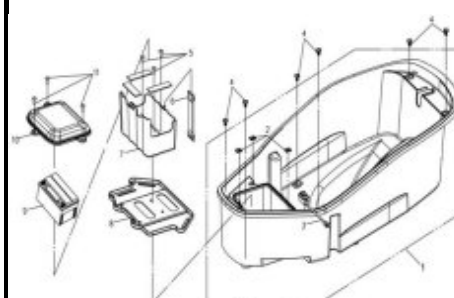
F07
BODY/SIDE COVER&RR. COMB LIGHT



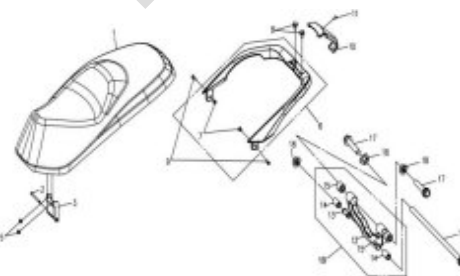
F08
L/R PILLION STEP



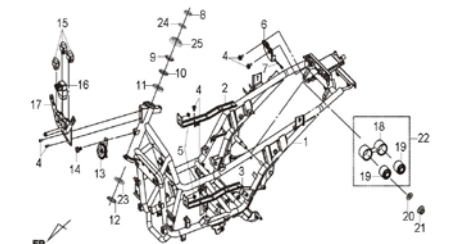
F09
LUGGAGE BOX&BATTERY COVER



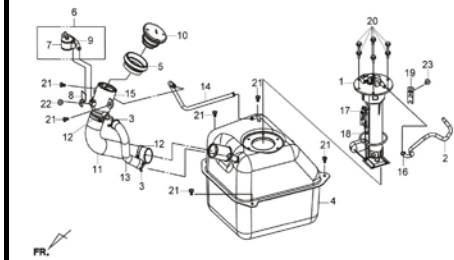
F10
REAR SEAT&RR CARRIER&ENG HANGAR



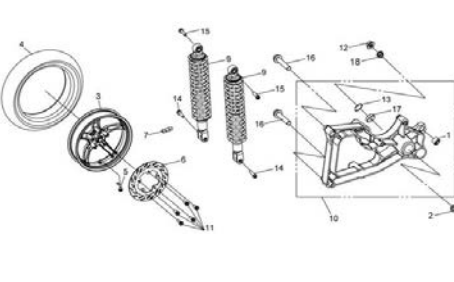
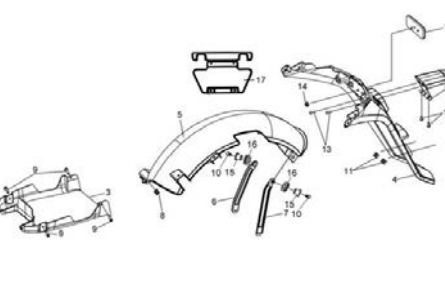
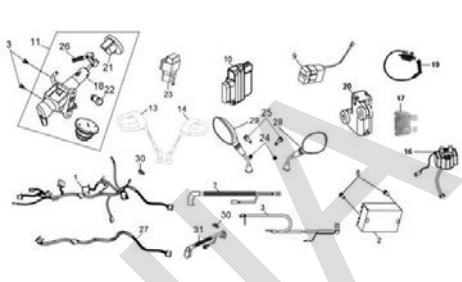
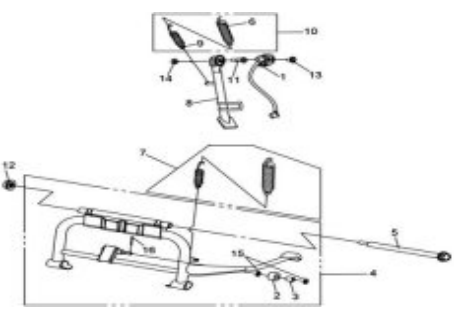
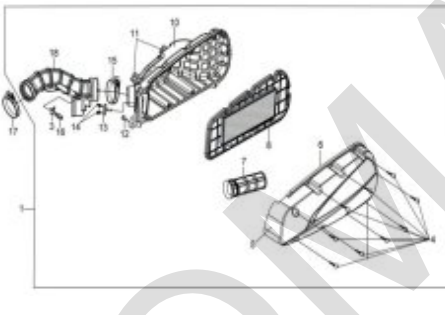
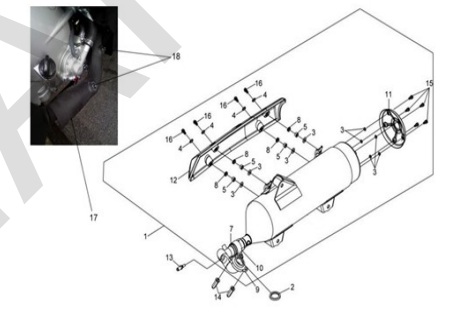
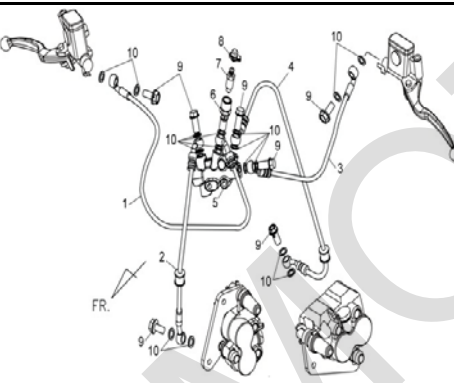
F11
FRAME BODY

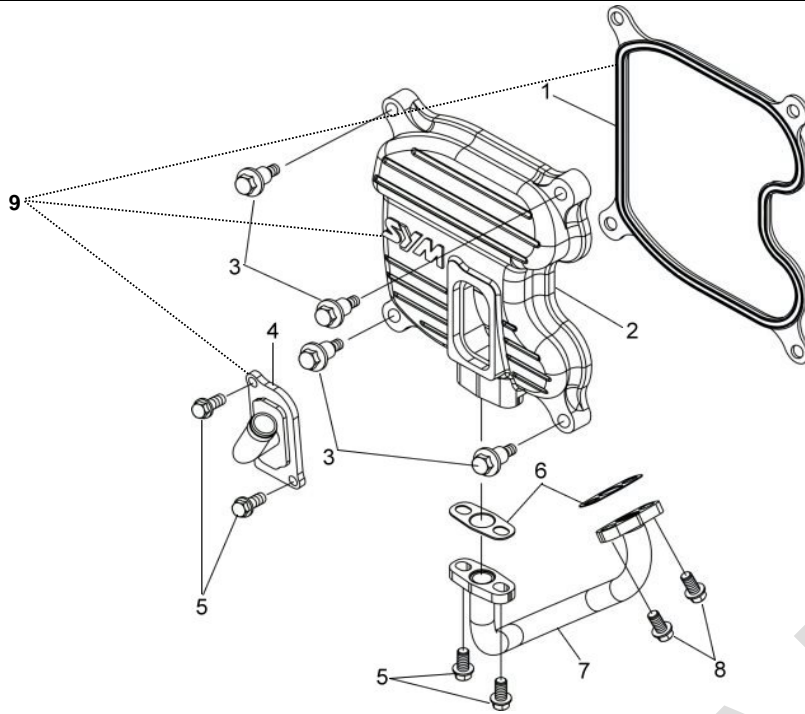


F12
FUEL TANK ASSY



CONTENTS—FRAME GROUP

| | | |
|---|--|---|
| <p>F13 RR WHEEL&RR FORK</p>  | <p>F14 RR. FENDER ASSY</p>  | <p>F15 WIRE HARNESS & ELECTRIC PART</p>  |
| <p>F16 MAIN STAND</p>  | <p>F17 AIRCLEANER ASSY</p>  | <p>F18 MUFFLER ASSY</p>  |
| <p>F19 BRAKE SYSTEM ASSY</p>  | | |
| | | |



Pictures reference only

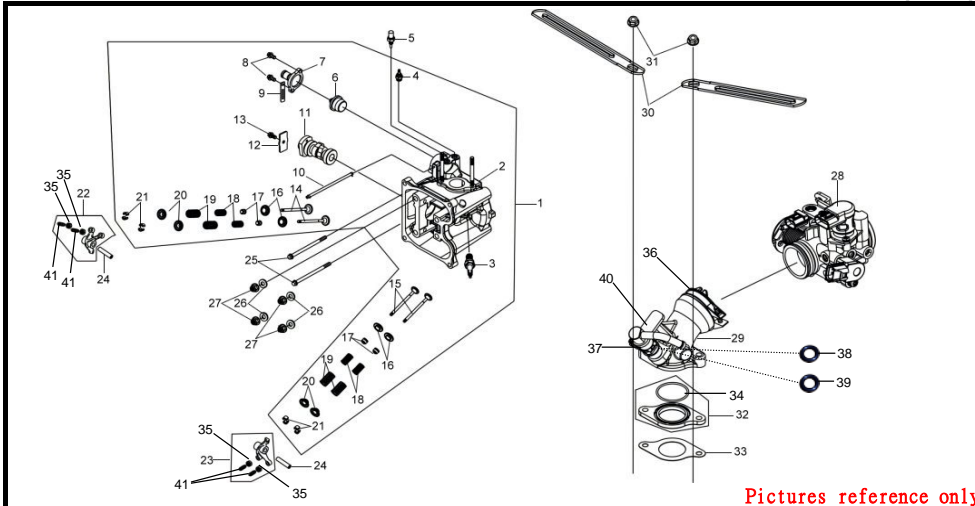
| PARTS NUMBER | | DESCRIPTION | QTY | EFFECTIVE DATE |
|--------------|----------------|---------------------------|-----|----------------|
| 1 | 12391-HMA-000 | CYLINDER HEAD COVER GASKE | 1 | |
| 2 | 12301-HMA-000 | CYLINDER HEAD COVER | 1 | |
| 3 | 90002-HMA-000 | CYLINDER HEAD COVER BOLT | 4 | |
| 4 | 18610-HKA-000 | REED VALVE COMP | 1 | |
| 5 | 96001-06016-00 | FLANGE BOLT SH 6X16 | 2 | |
| 6 | 18654-N14-000 | AIR PIPE GASKET | 2 | |
| 7 | 18647-HMA-000 | AIR PIPE COMP | 1 | |
| 8 | 96001-06014-00 | FLANGE BOLT SH 6X14 | 2 | |
| 9 | 1230A-LEA-000 | CYLINDER HEAD COVER ASSY | 1 | |

※ Please check the color & stripe information according to the color index !

※N/A = SUBSTITUTE

※Y = EXCHANGEABLE

※N =NOT EXCHANGEABLE



Pictures reference only

| PARTS NUMBER | DESCRIPTION | QTY | EFFECTIVE DATE | |
|-------------------------|-----------------------------|-----|----------------|---|
| 1 1220A-LEA-000 | CYLINDER HEAD ASSY | 1 | | |
| 2 12200-LEA-000 | CYLINDER HEAD COMP | 1 | | |
| 3 1PCR8E-3 | PLUG CR8E | 1 | | |
| 4 37750-PC1-004 | THERMO UNIT ASSY | 1 | | |
| 5 37880-HMC-000 | TW SENSOR | 1 | | |
| 6 19300-HMA-000 | THERMOSTAT ASSY. | 1 | | |
| 7 19315-KJ9-000 | THERMOSTAT COVER | 1 | | |
| 7 19315-LEA-000 | THERMOSTAT COVER | 1 | 2010.3.9 | N |
| 8 96001-06016-00 | FLANGE BOLT SH 6X16 | 2 | | |
| 9 12342-X01-000 | CLAMP | 1 | | |
| 10 1951A-HMA-000 | THERMOSTAT TUBE ASSY. | 1 | | |
| 11 14100-HML-000 | CAM SHAFT COMP | 1 | | |
| 12 14457-HMA-000 | CAM SHAFT SETTING PLATE1. | 1 | | |
| 13 96001-06014-00 | FLANGE BOLT SH 6X14 | 1 | | |
| 14 14711-HMA-000 | INLET VALVE | 2 | | |
| 15 14721-HMA-000 | EXHAUST VALVE | 2 | | |
| 15 14721-RFS-000 | EX.VALVE | 2 | 01.08.2013 | Y |
| 16 14777-KN7-670 | VALVE SPRING SEAT | 4 | | |
| 17 12209-H6B-900 | VALVE STEM SEAL | 4 | | |
| 18 14761-HMA-000 | INNER VALVE SPRING | 4 | | |
| 19 14751-HMA-000 | VALVE OUTER SPRING | 4 | | |
| 20 14771-M8Q-000 | N/A SETA INNER VALVE SPRING | 4 | | |
| 21 14781-M9Q-000-A | VALVE COTTER SET(1SET/4PCS) | 8 | | |
| 22 1443A-LEA-000 | IN VALVE ROCKER ARM ASSY | 1 | | |
| 23 1444A-LEA-000 | EX VALVE ROCKER ARM ASSY | 1 | | |
| 24 14451-HMA-000 | ROCKER ARM SHAFT | 2 | | |
| 25 96001-06090-00 | FLANGE SH BOLT 6X90 | 2 | | |
| 26 90442-HMA-000 | SEAL WASHER | 4 | | |
| 27 94050-10080 | FLANGE NUT 10MM | 4 | | |
| 28 16401-HML-000 | THROTTLE BODY ASSY | 1 | | |
| 29 1711A-HMC-000 | INLET PIPE ASSY | 1 | | |
| 30 12342-X01-000 | CLAMP | 2 | | |
| 31 94050-06000 | FLANGE NUT 6MM | 2 | | |
| 32 1621A-HMC-000 | CARBURETOR INSULATOR ASSY | 1 | | |
| 33 16201-HMC-000 | CARB. INSULATOR GASKET | 1 | | |
| 34 91308-HMA-000 | O-RING 34*2.0 | 1 | | |
| 35 90206-HLK-000 | TAPPET ADJUSTING NUT | 4 | | |
| 36 90653-HMA-000 | INLET PIPE BAND 48 | 1 | | |
| 37 06414-HMC-000 | FUEL INJECTOR | 1 | | |
| 38 06415-A5L-000 | O-RING | 1 | | |
| 39 06416-A5L-000 | SEAL-RING | 1 | | |
| 40 17120-HMC-000 | FUEL INJECTOR CUP | 1 | | |
| 41 90012-HLK-000 | TAPPET ADJUSTING SCREW | 4 | | |

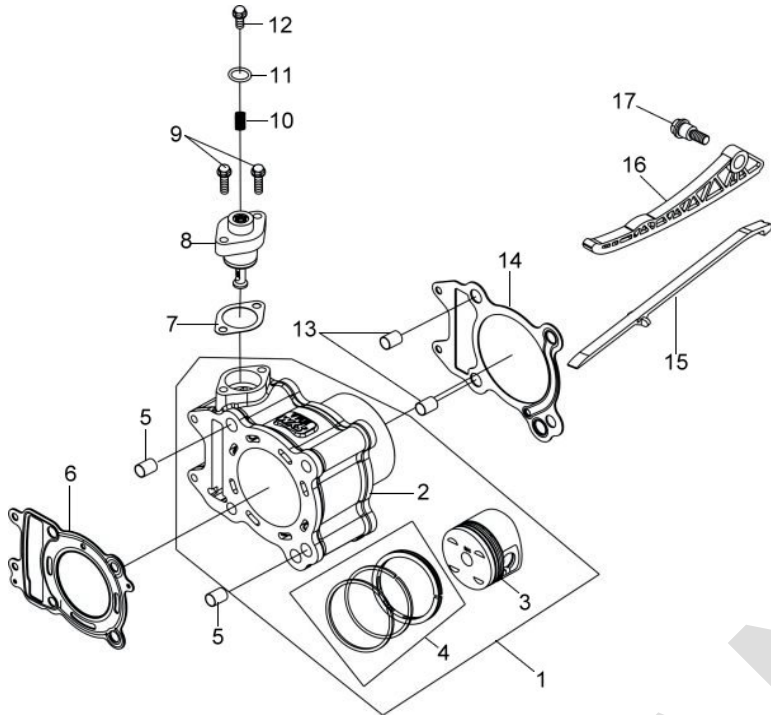
TEAMWORLD IND. 2008.02

※ Please check the color & stripe information according to the color index !

※N/A = SUBSTITUTE

※Y = EXCHANGEABLE

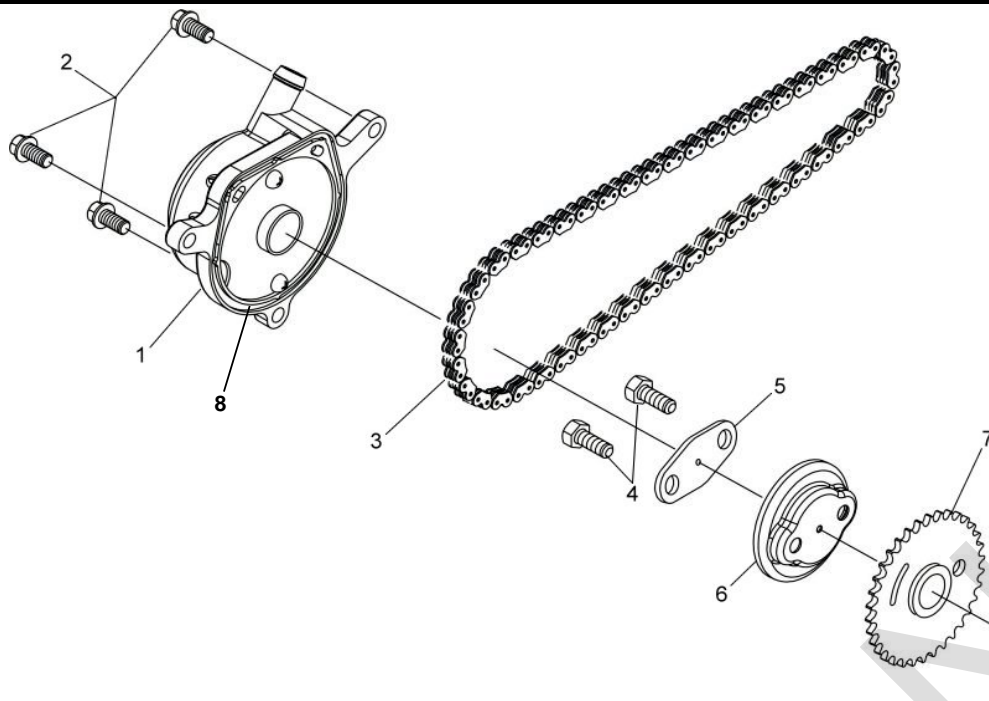
※N =NOT EXCHANGEABLE



Pictures reference only

| PARTS NUMBER | DESCRIPTION | QTY | EFFECTIVE DATE |
|-------------------|--------------------------|-----|----------------|
| 1 12100-LEA-000-A | CYLINDER & PISTON COMP | 1 | |
| 2 12100-LEA-000 | CYLINDER COMP | 1 | |
| 3 13101-LEA-000 | PISTON | 1 | |
| 4 13010-LEA-000 | PISTON RING SET | 1 | |
| 5 94301-12200 | DOWEL PIN 12*20 | 2 | |
| 6 12251-LEA-000 | CYLINDER HEAD GASKET | 1 | |
| 7 14523-M9Q-000 | TENSIONER LIFTER GASKET | 1 | |
| 8 14520-H6T-000 | TENSIONER LIFTER | 1 | |
| 9 90001-M9Q-000 | FLANGE SHF BOLT 6X22 | 2 | |
| 10 14525-H6T-000 | ADJUSTER SPRING | 1 | |
| 11 14524-H6T-000 | OIL-RING | 1 | |
| 12 14522-H6T-000 | TENSIONER ADJUSTER BOLT | 1 | |
| 13 94301-12200 | DOWEL PIN 12*20 | 2 | |
| 14 12191-HMA-000 | CYLINDER GASKET | 1 | |
| 15 14610-RFA-000 | CAM CHAIN GUIDE | 1 | |
| 16 14510-RFA-000 | CAM CHAIN TENSIONER | 1 | |
| 17 14531-KJ9-000 | CAM CHAIN TENSIONERPIVOT | 1 | |

※ Please check the color & stripe information according to the color index !
 ※N/A = SUBSTITUTE ※Y = EXCHANGEABLE ※N =NOT EXCHANGEABLE



Pictures reference only

| PARTS NUMBER | DESCRIPTION | QTY | EFFECTIVE DATE |
|-------------------|--------------------------|-----|----------------|
| 1 1231A-HMA-000 | CYLINDER HEAD COVER ASSY | 1 | |
| 2 96001-06018-00 | FLANGE BOLT SH 6X18 | 3 | |
| 3 1C14401-RFA-000 | CAM CHAIN 92RH2010-100L | 1 | |
| 4 92101-06016-0H | HEX BOLT 6*16 | 2 | |
| 5 14105-X01-000 | CAM SPROCKET WASHER | 1 | |
| 6 14108-M36-000 | CENTRIFUGAL DISK | 1 | |
| 7 14105-RFA-000 | CAM SPROCKET | 1 | |
| 8 91301-HMA-000 | HEAD SIDE COVER O-RING | 1 | |

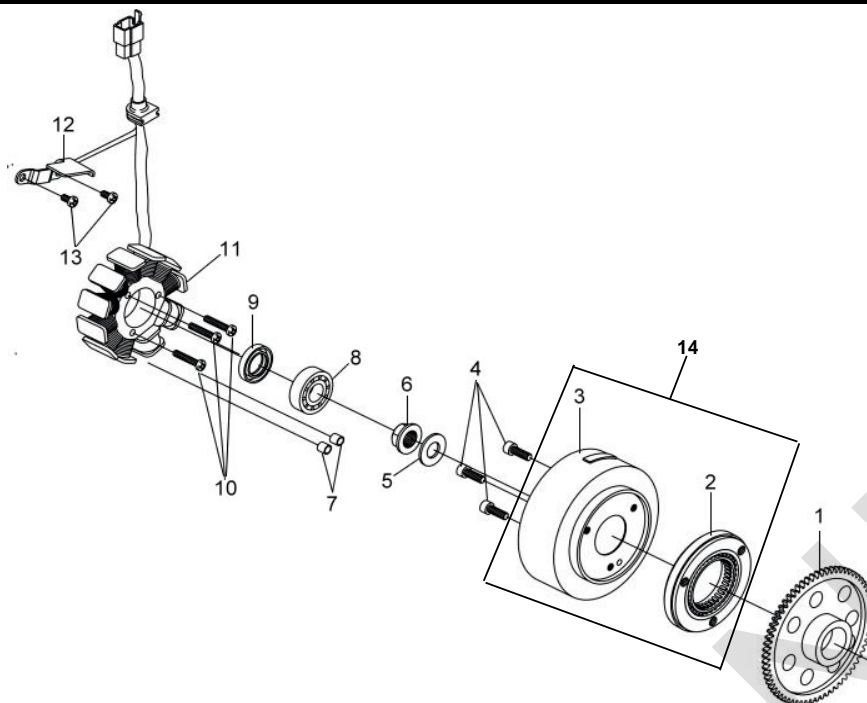
 TEAMWORLD IND. 2008.02

※ Please check the color & stripe information according to the color index !

※N/A = SUBSTITUTE

※Y = EXCHANGEABLE

※N =NOT EXCHANGEABLE



Pictures reference only

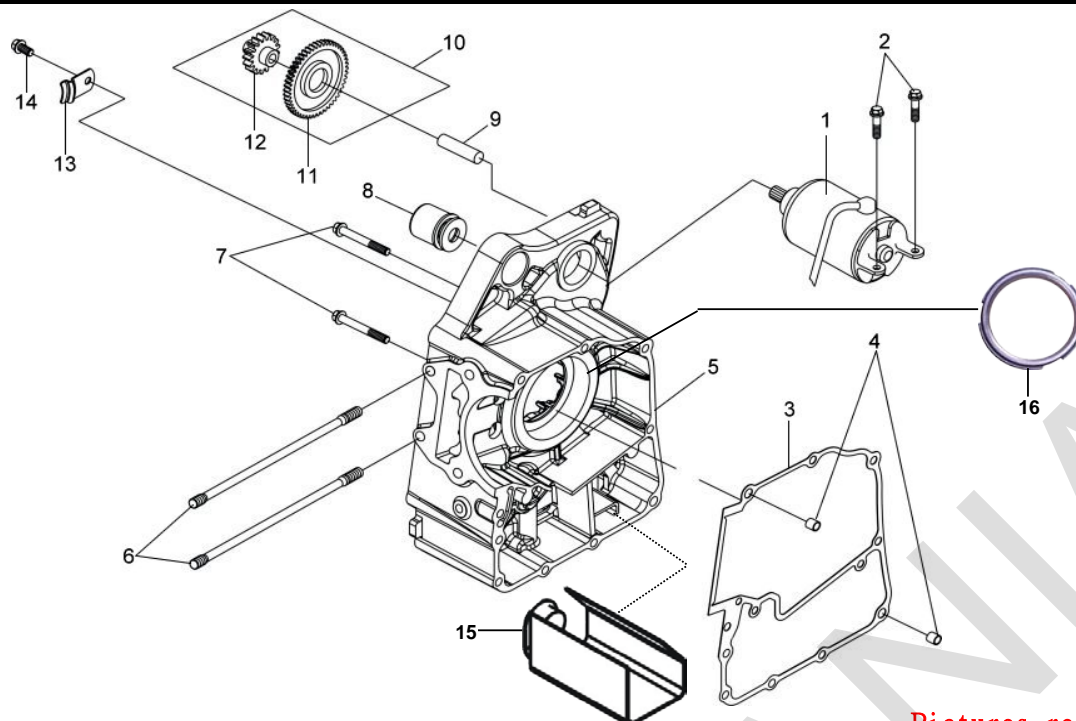
| PARTS NUMBER | | DESCRIPTION | QTY | EFFECTIVE DATE | |
|--------------|----------------------|---------------------------|-----|----------------|---|
| 1 | 28110-HMA-000 | STARTING CLUTCH GEAR COMP | 1 | | |
| 2 | 2812A-HMA-000 | ONE WAY CLUTCH ASSY | 1 | | |
| 3 | 31110-HMC-000 | FLYWHEEL COMP | 1 | | |
| 4 | 96700-08020-00 | SOCKET BOLT 8X20 | 3 | | |
| 5 | 90401-KJ9-000 | THRUST WASHER 14X28X2 | 1 | | |
| 6 | 90201-KR8-751-M1 | FLANGE NUT 14MM | 1 | | |
| 7 | 94301-08140 | DOWEL PIN 8X14 | 2 | | |
| 8 | 96140-62013-10 | RADIAL BALL BRG. 6201LUC3 | 1 | | |
| 9 | 91202-HMA-000 | OIL SEAL | 1 | | |
| 10 | 96001-06040-00 | FLANGE BOLT 6X40 | 3 | | |
| 11 | 31120-HMC-000 | STATOR COMP | 1 | | |
| 12 | 15713-HMC-000 | OIL BAFFLE PLATE | 1 | | |
| 12 | 15713-HMC-010 | OIL BAFFLE PLATE | 1 | 2008/5/19 | N |
| 13 | 93500-05016-0A | PAN SCREW 5X16 | 2 | | |
| 14 | 3110A-HMC-000 | AC GEN FLYWHEEL SET | 1 | | |

※ Please check the color & stripe information according to the color index !

※N/A = SUBSTITUTE

※Y = EXCHANGEABLE

※N =NOT EXCHANGEABLE



Pictures reference only

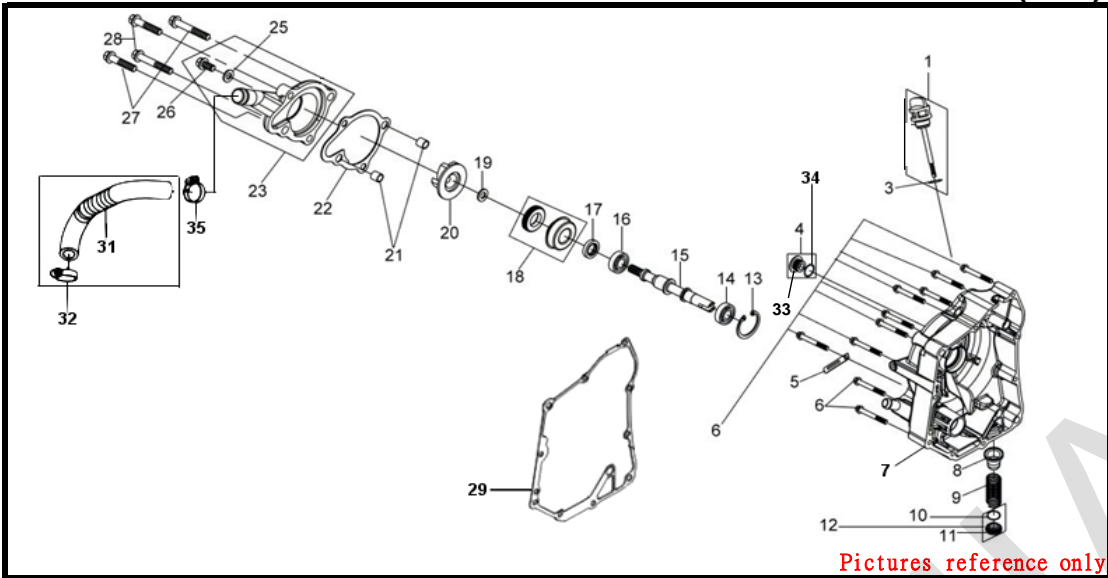
| PARTS NUMBER | DESCRIPTION | QTY | EFFECTIVE DATE | |
|--------------------------|------------------------------------|-----|----------------|---|
| 1 31200-HMA-000 | START MOTOR ASSY. | 1 | | |
| 1 31200-HMA-100 | START MOTOR ASSY | 1 | 2013/4/22 | N |
| 2 96001-06022-00 | FLANGE BOLT SH 6X22 | 2 | | |
| 3 11191-LEA-000 | CRANK CASE GASKET | 1 | | |
| 3 11191-LEA-010 | CRANK CASE GASKET | 1 | 2011/6/23 | N |
| 4 94301-08140 | DOWEL PIN 8X14 | 2 | | |
| 5 11100-LEA-000 | R CRANK CASE COMP | 1 | | |
| 5 11100-LEA-010 | R CRANK CASE COMP | 1 | 2011/6/23 | N |
| 6 90031-HMA-000 | CYLINDER STUD BOLT A | 2 | | |
| 7 96001-06055-00 | BOLT FLANGE SH 6X55 | 2 | | |
| 8 11120-LEA-000 | ENGINE HANGER BUSE ASSY | 1 | | |
| 9 28102-RB1-000 | START.REDUCTION GEAR SHAFT(S10X37) | 1 | | |
| 10 28101-RB1-000 | STARTER REDUCTION GEAR COMP | 1 | | |
| 11 28105-HMA-300 | STARTER RIDUCTION GEAR B | 1 | | |
| 12 28103-RB1-000 | STARTER RIDUCTION GEAR A | 1 | | |
| 13 14151-RFA-000 | CAM CHAIN SETTING PLATE | 1 | | |
| 14 96001-06010-08 | FLANGE BOLT SH 6X10 | 1 | | |
| 14 96001-06012-08 | FLANGE BOLT SH 6X10 | 1 | 2010/1/6 | N |
| 15 11107-HMA-000 | MAGNET PLATE | 1 | | |
| 16 11102-HMA-300 | R. CRANK CASE BUSH 72MM | 1 | | |

※ Please check the color & stripe information according to the color index !

※N/A = SUBSTITUTE

※Y = EXCHANGEABLE

※N =NOT EXCHANGEABLE



Pictures reference only

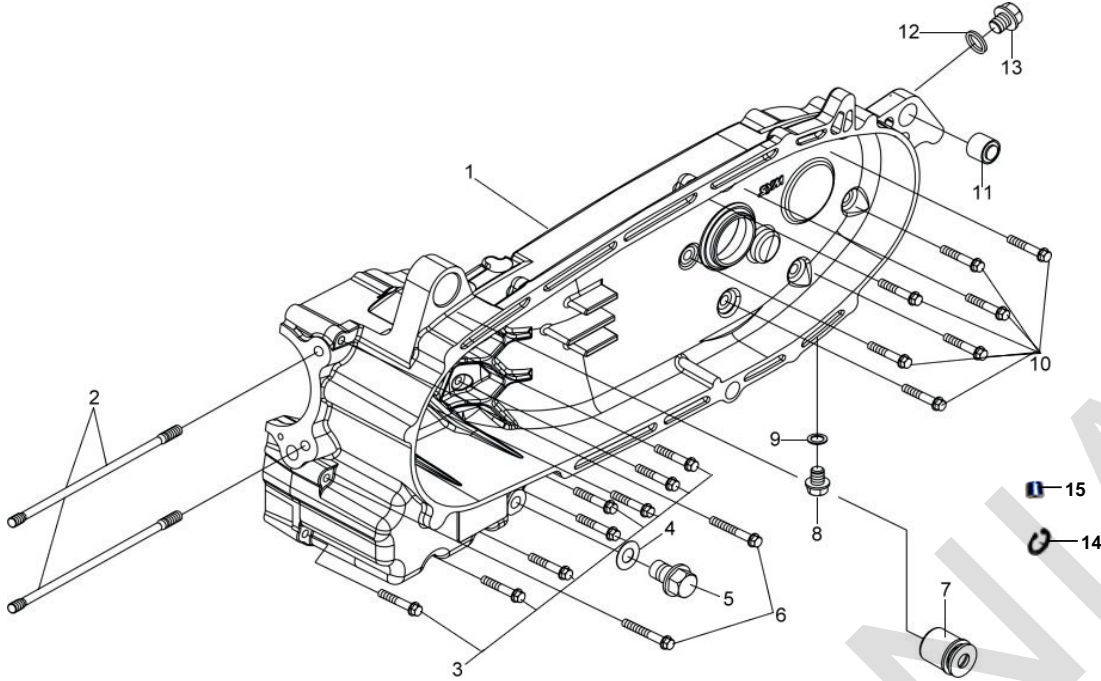
| PARTS NUMBER | DESCRIPTION | QTY | EFFECTIVE DATE | |
|-------------------|----------------------------|-----|----------------|---|
| 1 1565A-LEA-000 | OIL LEVEL GAUGE ASSY | 1 | | |
| 3 91307-M9Q-000 | N/A O-RING 18X3 | 1 | | |
| 4 9008A-H9A-000 | A.C.G. CAP ASSY 14MM | 1 | | |
| 5 12342-X01-000 | CLAMP | 1 | | |
| 6 96001-06045-00 | FLANGE BOLT 6X45 | 10 | | |
| 7 11330-LEA-000 | R. CASE COVER COMP | 1 | | |
| 8 15421-M9Q-000 | N/A OIL FILTER SCREN | 1 | | |
| 8 15421-H66-000 | OIL FILTER SCREN | 1 | 2011/1/28 | |
| 8 15421-B9D-000 | OIL FILTER SCREN | 1 | 2011/7/27 | |
| 9 15426-M9Q-000 | N/A OIL FILTER SCREWS PG. | 1 | | |
| 10 91302-M9Q-000 | O-RING 30.8MM | 1 | | |
| 11 12361-M9Q-000 | N/A TAPPET ADJ HOLE CAP | 1 | | |
| 12 1236A-V02-000 | TAPPET ADJ HOLE CAP ASSY | 1 | | |
| 13 94520-26000 | CIRCLIP IN 26MM | 1 | | |
| 14 96100-60000-00 | RADIAL BALL BRG. 6000CM | 1 | | |
| 15 19231-HMA-000 | WATER PUMP SHAFT | 1 | | |
| 16 91001-KJ9-005 | RADIAL BALL BRG.6901 | 1 | | |
| 17 91205-KF0-003 | OIL SEAL 12X20X5 | 1 | | |
| 18 19217-H9A-300 | MECHANICAL SEAL | 1 | | |
| 19 90423-KJ9-000 | WASHER 7.2X13X1.2 | 1 | | |
| 20 19215-HLA-000 | WATER PUMP IMPELLER | 1 | | |
| 21 94301-08140 | DOWEL PIN 8X14 | 2 | | |
| 22 19229-H9A-000 | WATER PUMP GASKET | 1 | | |
| 23 1922A-HMA-000 | WATER PUMP COVER ASSY | 1 | | |
| 23 1922A-LEA-000 | WATER PUMP COVER ASSY | 1 | 2009/12/10 | N |
| 25 90478-700-000 | WASHER A. 6MM | 1 | | |
| 26 96001-06010-00 | SH FLANGE BOLT 6X10 | 1 | | |
| 27 96001-06032-00 | FLANGE BOLT SH 6X32 | 2 | | |
| 28 96001-06022-00 | FLANGE BOLT SH 6X22 | 2 | | |
| 29 11394-HMA-000 | R. CRANK CASE COVER GASKET | 1 | | |
| 31 19604-H01-000 | LH. WATER HOSE GUARD WIRE | 1 | | |
| 32 1950A-LEA-000 | WATER HOSE ASSY | 1 | | |
| 33 90084-H9A-000 | A.C.GEN. CAP 14MM | 1 | | |
| 34 91303-M2Q-000 | N/A O-RING | 1 | | |
| 35 19505-KS6-700 | WATER HOSE CLAMP A | 1 | | |

※ Please check the color & stripe information according to the color index !

※N/A = SUBSTITUTE

※Y = EXCHANGEABLE

※N =NOT EXCHANGEABLE



Pictures reference only

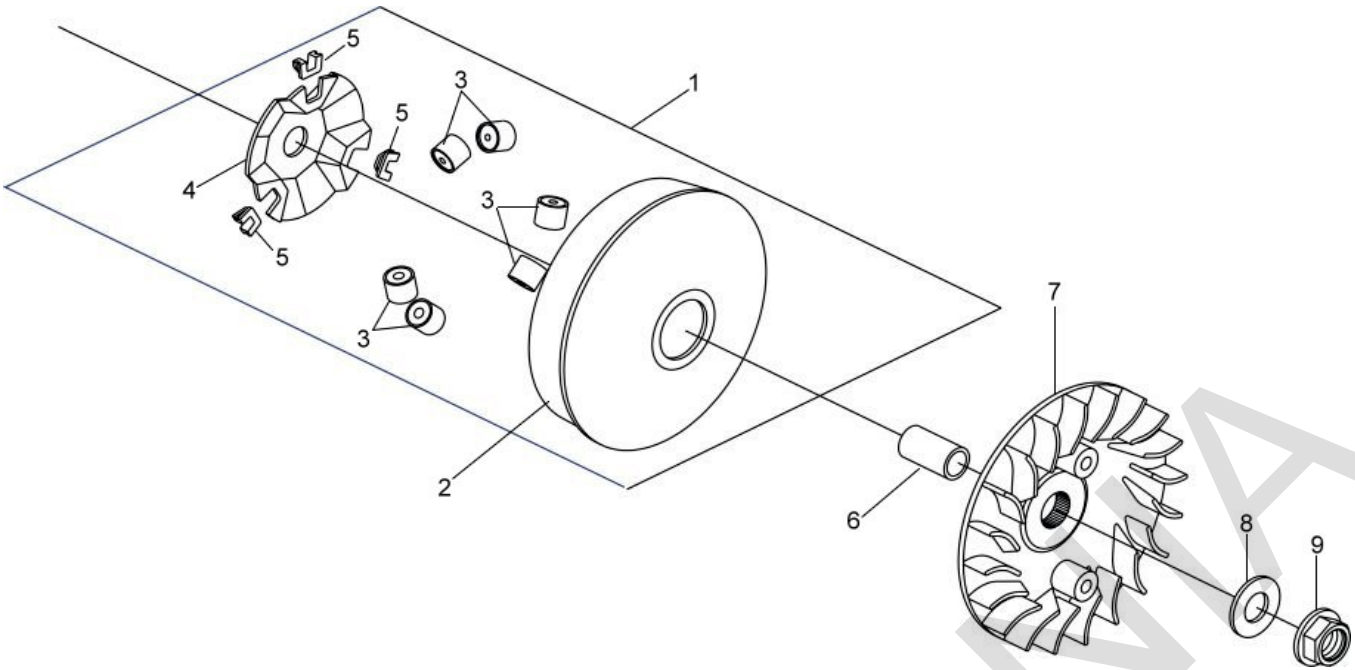
| PARTS NUMBER | | DESCRIPTION | QTY | EFFECTIVE DATE | |
|--------------|----------------------|----------------------------|-----|----------------|---|
| 1 | 11200-LEA-000 | L CRANK CASE COMP | 1 | | |
| 1 | 11200-LEA-010 | L CRANK CASE COMP | 1 | 2011/6/23 | N |
| 2 | 90032-HMA-000 | CYLINDER STUD BOLT B | 2 | | |
| 3 | 96001-06050-00 | FLANGE BOLT SH 6X50 | 8 | | |
| 4 | 94109-12000 | DRAIN PLUG WASHER 12MM | 1 | | |
| 5 | 92800-12000 | DRAIN PLUG BOLT 12MM | 1 | | |
| 6 | 96001-06070-00 | FLANGE SH BOLT 6X70 | 2 | | |
| 7 | 11120-LEA-000 | ENGINE HANGER BUSE ASSY | 1 | | |
| 8 | 90103-M9Q-000 | N/A SPECIAL BOLT 8MM | 1 | | |
| 9 | 90474-M9Q-000 | WASHER 8X17 | 1 | | |
| 10 | 95801-08050-08 | FLANGE BOLT 8*50 | 7 | | |
| 11 | 11203-M9Q-300 | N/A RR.CUSHION RUBBER BUSH | 1 | | |
| 12 | 90481-M9Q-100 | N/A PLAIN WASHER 10.2MM | 1 | | |
| 13 | 95701-10012-08 | FLANGE BOLT 10X12 | 1 | | |
| 14 | 94510-20000 | EX. CIR CLIP 20MM | 2 | | |
| 15 | 11133-A1A-300 | OIL ORIFICE 6X5 | 1 | | |

※ Please check the color & stripe information according to the color index !

※N/A = SUBSTITUTE

※Y = EXCHANGEABLE

※N =NOT EXCHANGEABLE

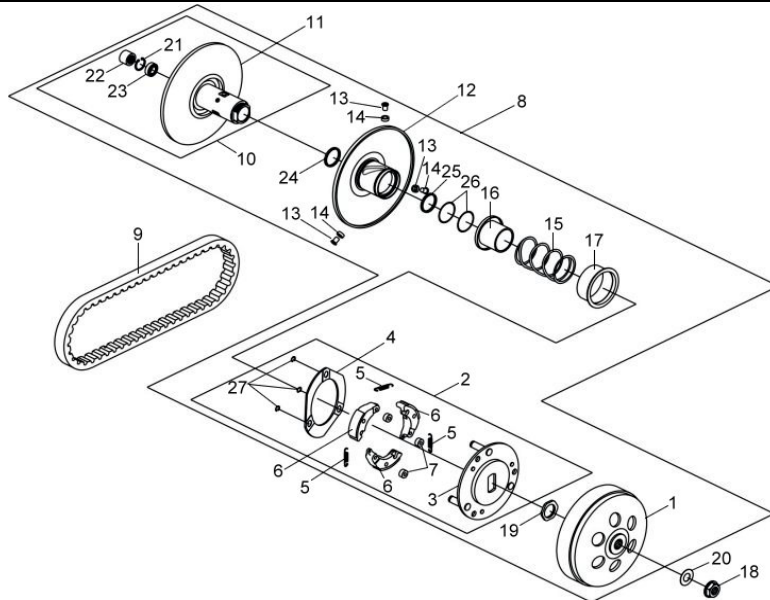


Pictures reference only

| PARTS NUMBER | DESCRIPTION | QTY | EFFECTIVE DATE |
|--------------------------|-------------------------------|-----|----------------|
| 1 22000-RB1-000 | MOVABLE DRIVE FACE ASSY. | 1 | |
| 2 22110-HMA-000 | MOVABLE DRIVE FACE COMP | 1 | |
| 3 22121-RB1-001-A | WEIGHT ROLLER COMP(6PCS)(18G) | 1 | |
| 4 22131-HMA-000 | RAMP PLATE | 1 | |
| 5 22132-HMA-000-A | SLIDE PIECE SET | 1 | |
| 6 22105-HMA-000 | DRIVE FACE BOSS | 1 | |
| 7 22102-HMA-000 | DRIVE FACE | 1 | |
| 8 90401-KJ9-000 | THRUST WASHER 14X28X2 | 1 | |
| 9 90201-KR8-751-M1 | FLANGE NUT 14MM | 1 | |

※ Please check the color & stripe information according to the color index !

※N/A = SUBSTITUTE ※Y = EXCHANGEABLE ※N =NOT EXCHANGEABLE



Pictures reference only

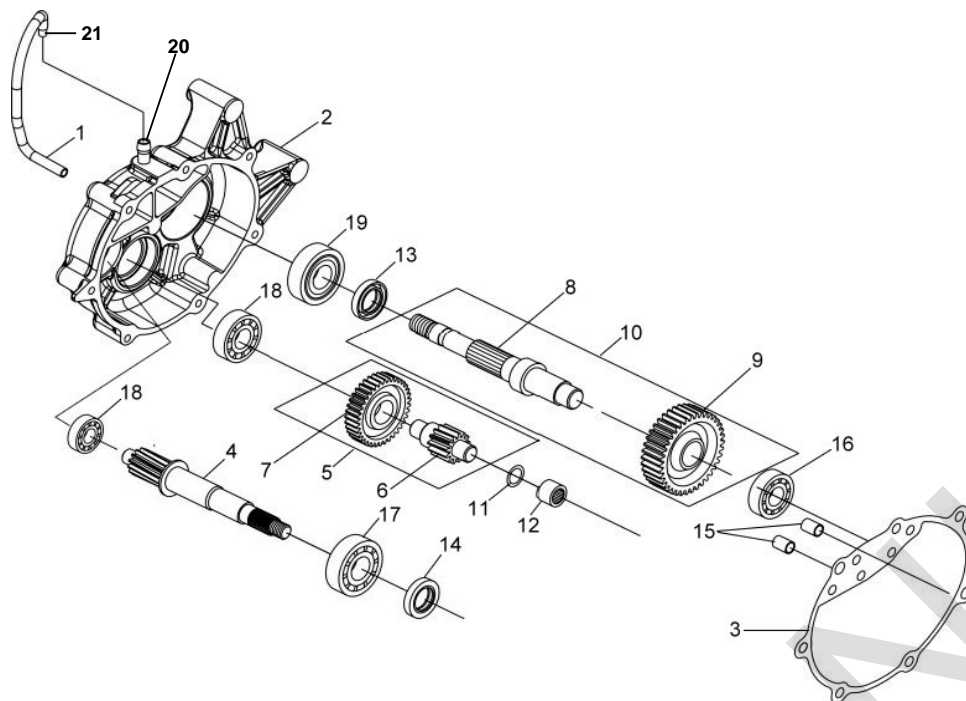
| PARTS NUMBER | DESCRIPTION | QTY | EFFECTIVE DATE | |
|------------------------|--------------------------|-----|----------------|---|
| 1 22101-HMA-000 | CLUTCH OUTER | 1 | | |
| 2 22300-HMB-000 | DRIVE PLATE ASSY. | X | | |
| 2 22300-L3D-000 | DRIVE PLATE ASSY | 1 | 15.04.2013 | N |
| 3 22350-HMA-000 | DRIVE PLATE COMP. | 1 | | |
| 4 22361-HMA-000 | CLUTCH SIDE PLATE | 1 | | |
| 5 22401-HMA-000 | CLUTCH SPRING | 3 | | |
| 6 22530-HMB-000-A | CLUTCH WEIGHT(3PCS) | 1 | | |
| 7 22804-HMA-000 | CLUTCH DAMPER RUBBER | 3 | | |
| 8 23010-HMB-000 | DRIVE PULLEY ASSY | 1 | | |
| 8 23010-L2A-000 | DRIVEN PULLEY ASSY | 1 | 15.04.2013 | N |
| 9 1B01LEA01 | DRIVE BELT | 1 | | |
| 10 23200-HMA-000 | DRIVEN FACE ASSY | 1 | | |
| 11 23210-HMA-000 | DRIVEN FACE COMP | 1 | | |
| 12 23220-HMA-000 | MOVABLE DRIVEN FACE COMP | 1 | | |
| 13 23225-HMA-000 | ROLLER GUIDE PIN | 3 | | |
| 14 23226-HMA-000 | GUIDE ROLLER | 3 | | |
| 15 23233-HMA-000 | DRIVEN FACE SPRING | 1 | | |
| 16 23237-HMA-000 | SEAL COLLAR | 1 | | |
| 17 23238-HMA-000 | SPRING COLLAR | 1 | | |
| 18 90201-KR8-751-M1 | FLANGE NUT 14MM | 1 | | |
| 19 90202-HMA-000 | SPECIAL NUT | 1 | | |
| 20 90401-KJ9-000 | THRUST WASHER 14X28X2 | 1 | | |
| 21 90602-HMA-000 | IN. CIRCLE CLIP | 1 | | |
| 22 91006-HMA-300 | NEEDLE BREAING | 1 | | |
| 23 91007-HMA-300 | RADIAL BALL BRG. | 1 | | |
| 24 91211-HMA-000 | OIL SEAL | 1 | | |
| 25 91211-HMA-000 | OIL SEAL | 1 | | |
| 26 91305-HMA-000 | O-RING 47*2.0 | 2 | | |
| 27 94540-08010 | E-RING | 3 | | |

※ Please check the color & stripe information according to the color index !

※N/A = SUBSTITUTE

※Y = EXCHANGEABLE

※N =NOT EXCHANGEABLE



Pictures reference only

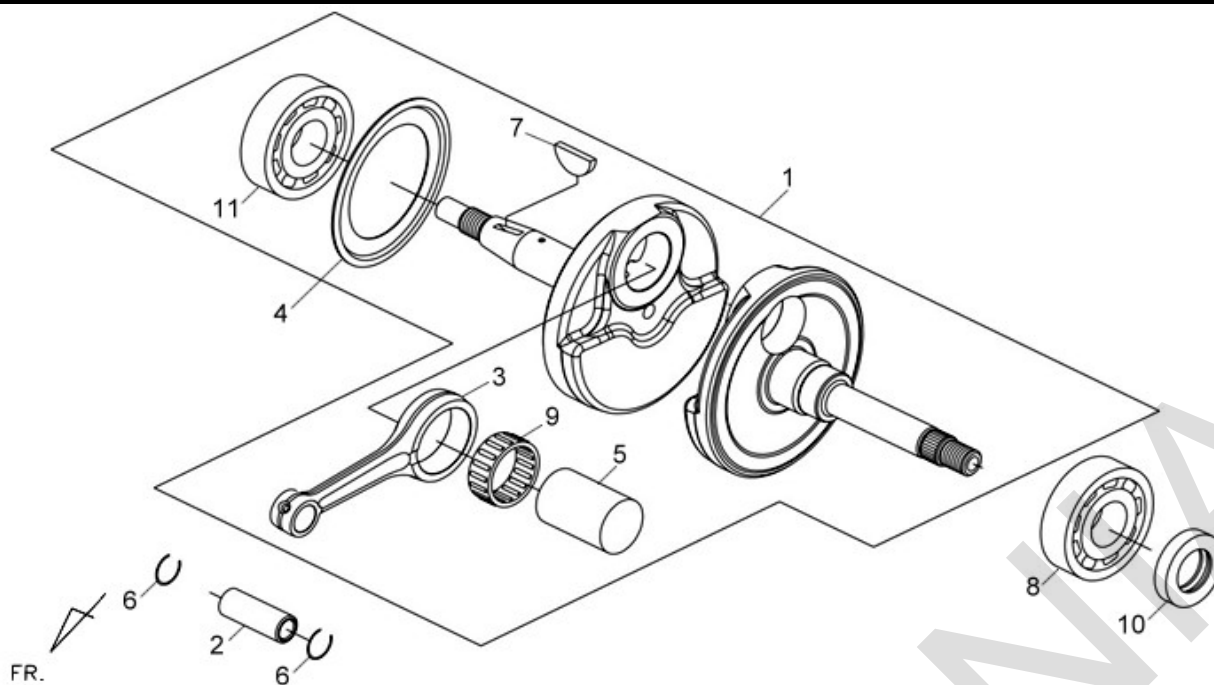
| PARTS NUMBER | DESCRIPTION | QTY | EFFECTIVE DATE |
|-------------------|----------------------------|-----|----------------|
| 1 1122A-LEA-000 | MISSION BREATHER TUBE ASSY | 1 | |
| 2 21200-LEA-000 | MISSION CASE COMP | 1 | |
| 3 21395-LEA-000 | MISSION COVER GASKET | 1 | |
| 4 23411-LEA-000 | DRIVE SHAFT | 1 | |
| 5 23420-LEA-000 | COUNTER SHAFT COMP | 1 | |
| 6 23421-LEA-300 | COUNTER SHAFT | 1 | |
| 7 23422-HMA-300 | COUNTER GAER | 1 | |
| 8 23431-LEA-020 | FINAL SHAFT | 1 | |
| 9 23432-LEA-010 | FINAL GEAR | 1 | |
| 10 2343A-LEA-010 | FINAL SHAFT ASSY. | 1 | |
| 11 90401-HMA-000 | THRUST WASHER 15MM | 1 | |
| 12 91002-HMA-000 | NEEDLE BRG. | 1 | |
| 13 91203-LEA-000 | OIL SEAL TC32*52*7 | 1 | |
| 14 91204-HMA-000 | OIL SEAL | 1 | |
| 15 94301-08140 | DOWEL PIN 8X14 | 2 | |
| 16 96100-62040-10 | RADIAL BALL BRG. 6204 | 1 | |
| 17 96100-62053-10 | RADIAL BALL BRG.6205 C3 | 1 | |
| 18 96100-63020-00 | RAD.BALL.BRG.6302 | 2 | |
| 19 96150-62050-10 | RADIAL BALL BRG. 6205LLU | 1 | |
| 20 11106-B04-010 | BREATHER TUBE JOINT | 1 | |
| 21 15772-B06-000 | BREATHER TUBE CLIP | 1 | |

※ Please check the color & stripe information according to the color index !

※N/A = SUBSTITUTE

※Y = EXCHANGEABLE

※N =NOT EXCHANGEABLE



Pictures reference only

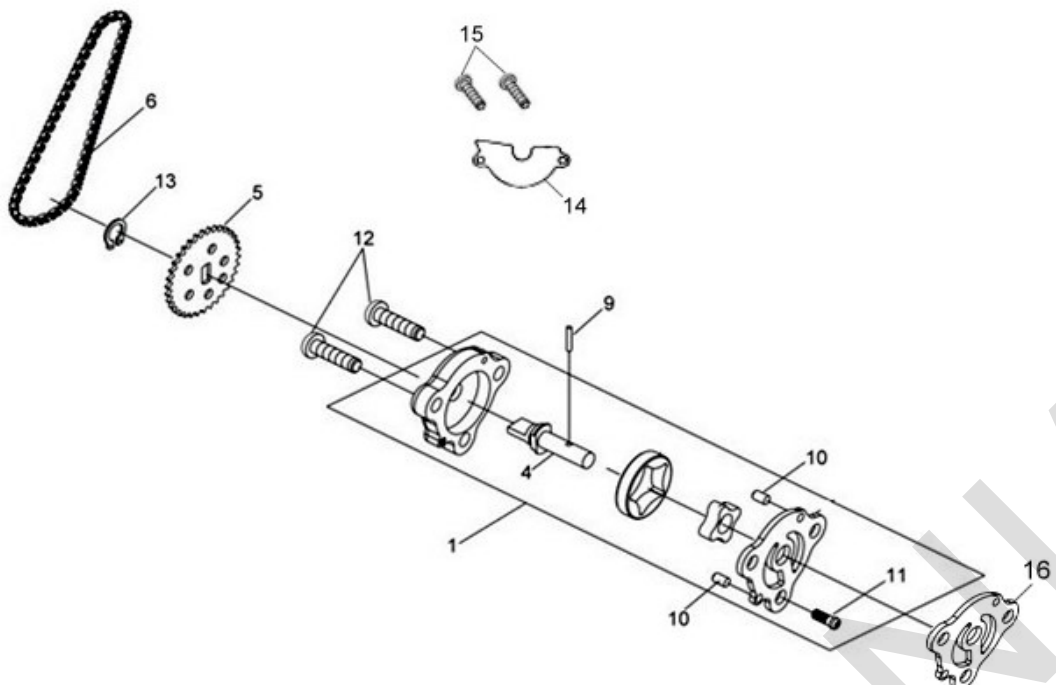
| PARTS NUMBER | DESCRIPTION | QTY | EFFECTIVE DATE | |
|------------------------|-----------------------------|-----|----------------|---|
| 1 13000-LEA-000 | CRANK SHAFT COMP | 1 | | |
| 2 13111-HMA-000 | PISTON PIN | 1 | | |
| 3 13201-LEA-000 | CONNECTING ROD | 1 | | |
| 4 13371-HMA-300 | R CRANK SIDE PLATE | 1 | | |
| 5 13381-HMA-300 | CRANK PIN | 1 | | |
| 6 90601-HMA-000 | PISTON PIN CLIP | 1 | | |
| 7 90701-HB6-010 | WOODRUFF KEY 25X14X4 | 1 | | |
| 8 91001-HMA-000 | RADIAL BALL BRG. TMB306 | 1 | | |
| 9 91003-HML-000 | CONN. ROD BRG. KU32*41*17.8 | 1 | | |
| 9 91003-LEA-000 | CONN.ROD BRG.KU32*41*17.8 | 1 | 2009/6/20 | N |
| 10 91201-HMA-300 | OIL SEAL | 1 | | |
| 11 96100-62070-10 | RADIAL BALL BEARING. 6207 | 1 | | |

※ Please check the color & stripe information according to the color index !

※N/A = SUBSTITUTE

※Y = EXCHANGEABLE

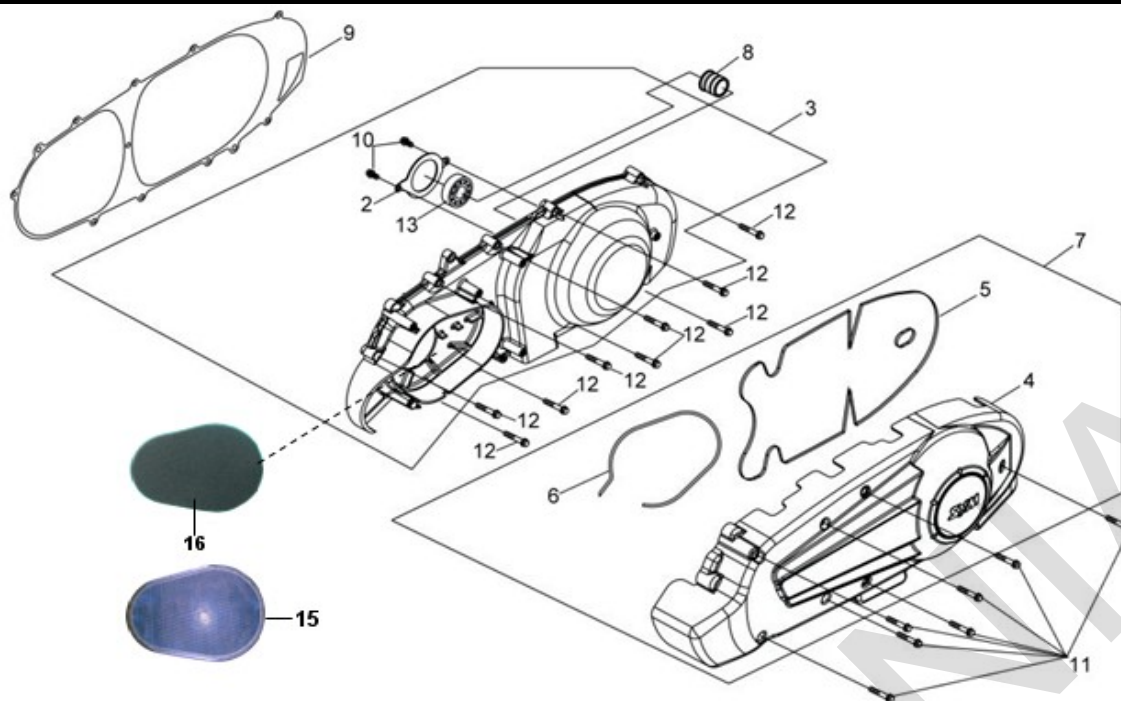
※N =NOT EXCHANGEABLE



Pictures reference only

| PARTS NUMBER | DESCRIPTION | QTY | EFFECTIVE DATE |
|-------------------|----------------------------|-----|----------------|
| 1 15100-HMA-000 | OIL PUMP ASSY. | 1 | |
| 4 15132-HMA-000 | OIL PUMP SHAFT | 1 | |
| 5 15133-HMA-000 | OIL PUMP DRIVEN SPROCKET | 1 | |
| 6 1C15141-HMA-000 | OIL PUMP CHAIN 92RH2005-48 | 1 | |
| 9 91101-HMA-000 | PIN 2.5*11.8 | 1 | |
| 10 91103-A3F-000 | ROLLER 3*9.8 | 2 | |
| 11 93500-03008-1A | PAN SCREW 3X8 | 1 | |
| 12 93500-06025-0H | PAN SCREW | 2 | |
| 13 94510-10000 | CIR CLIP 10MM | 1 | |
| 14 15711-HML-000 | OIL SEPARATER | 1 | |
| 15 96001-06010-08 | FLANGE BOLT SH 6X10 | 2 | |
| 16 15126-B8A-000 | OIL PUMP GASKET | 1 | |

※ Please check the color & stripe information according to the color index !
 ※N/A = SUBSTITUTE ※Y = EXCHANGEABLE ※N =NOT EXCHANGEABLE



Pictures reference only

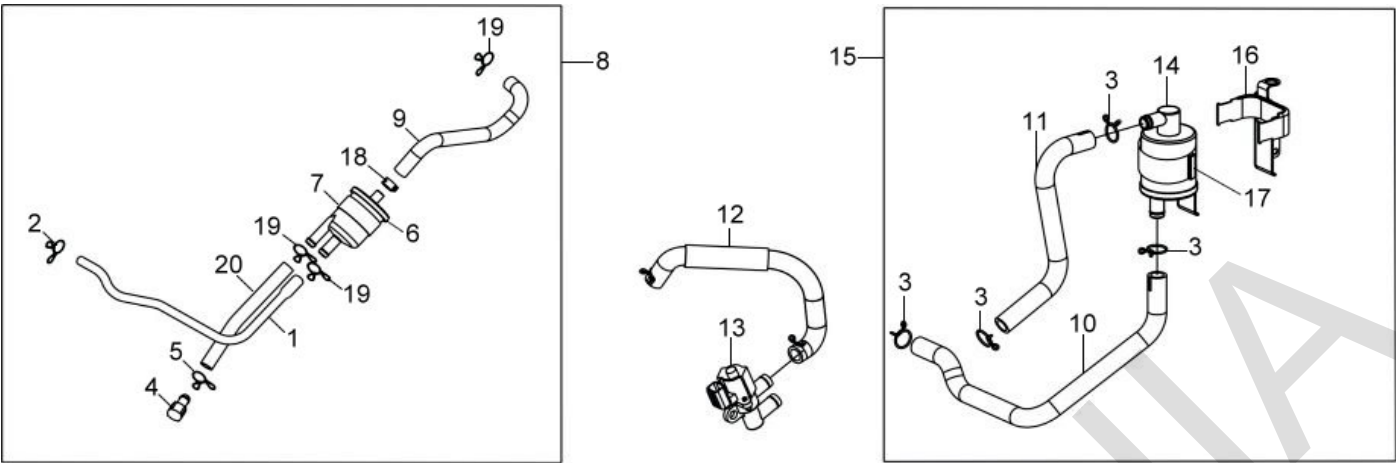
| PARTS NUMBER | DESCRIPTION | QTY | EFFECTIVE DATE |
|-------------------|-----------------------------|-----|----------------|
| 2 11346-HMA-000 | L. BEARING SETTING PLATE | 1 | |
| 3 1134A-LEA-000 | L CRANK CASE COVER ASSY | 1 | |
| 4 11351-LEA-000 | L OUTER COVER | 1 | |
| 5 11352-LEA-000 | L. OUTER COVER SPONGE | 1 | |
| 6 11353-HMA-000 | L. OUTER COVER SEAL | 1 | |
| 7 1135A-LEA-000 | L OUTER COVER ASSY | 1 | |
| 8 1137A-HMA-000 | BERING STAY COLLAR ASSY | 1 | |
| 8-1 11371-HMA-000 | BERING STAY COLLAR | 1 | |
| 8-2 91303-HMA-000 | O-RING 26.5X2.0 | 1 | |
| 9 11395-LEA-000 | L COVER GASKET | 1 | |
| 10 96001-06012-00 | FLANGE BOLT SH 6X12 | 2 | |
| 11 96001-06018-07 | SH. FLANGE BOLT | 7 | |
| 12 96001-06035-00 | FLANGE SH BOLT 6X35 | 9 | |
| 13 96150-60060-10 | RADIAL BALL BEARING 6006LLU | 1 | |
| 14 11371-HMA-000 | BERING STAY COLLAR | 1 | |
| 15 17221-LEA-000 | TRAP COMP. | 1 | |
| 16 11344-HMA-000 | L. SIDE CVOER ELEMENT | 1 | |
| 17 91303-HMA-000 | O-RING 26.5X2.0 | | |

※ Please check the color & stripe information according to the color index !

※N/A = SUBSTITUTE

※Y = EXCHANGEABLE

※N =NOT EXCHANGEABLE



Pictures reference only

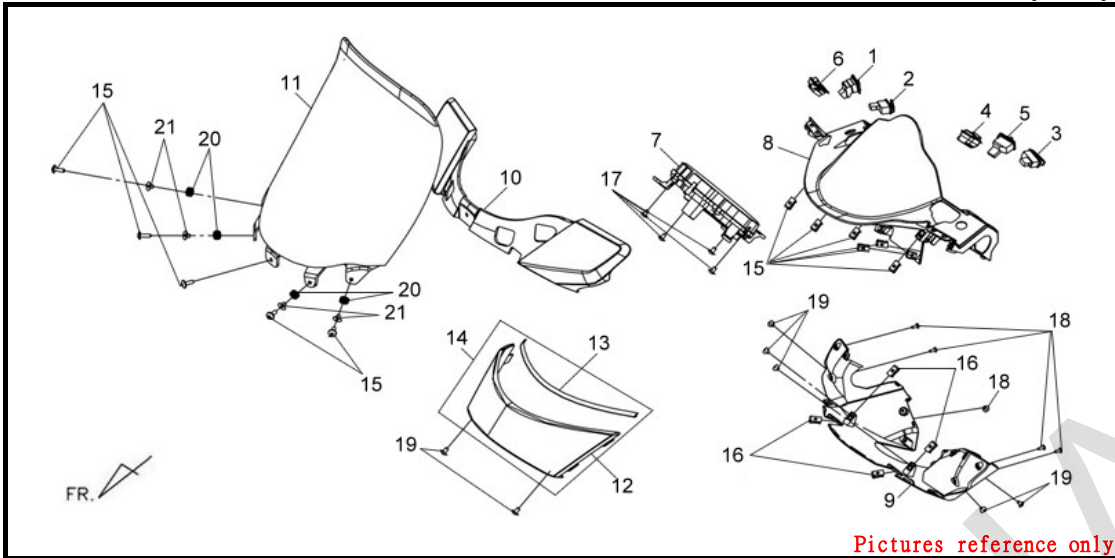
| PARTS NUMBER | DESCRIPTION | QTY | EFFECTIVE DATE |
|-------------------|--------------------------------|-----|----------------|
| 1 11211-LEA-010 | BREATHER TUBE | 1 | |
| 2 15772-500-013 | BREATHER TUBE CLIP | 1 | |
| 3 17369-KB4-670 | TUBE CLIP | 4 | |
| 4 17370-M9Q-000 | PLUG,BREATHER TUBE. | 1 | |
| 5 17371-M9Q-000 | BREATHER TUBE CLIP | 1 | |
| 6 17380-H6A-000 | BREATHER CHAMPER COMP | 1 | |
| 7 17385-H6A-000 | CHAMBER SETTING BAND | 1 | |
| 8 1738A-LEA-000 | BREATHER CHAMPER ASSY | 1 | |
| 9 17562-LEA-000 | P.C.V./A.C. TUBE | 1 | |
| 10 17571-LEA-000 | A.I.C.V. TUBE A | 1 | |
| 11 17574-LEA-000 | A.I.C.V.TUBE B | 1 | |
| 12 17576-LEA-010 | A.I.S.V.-REED VALVE JOINT TUBE | 1 | |
| 13 17590-HMC-000 | A.I.S.V. ASSY | 1 | |
| 14 17570-HMC-000 | A.I.A.C. COMP | 1 | |
| 15 1757A-LEA-000 | A.I.A.C. ASSY | 1 | |
| 16 18659-HMA-000 | A.I.C.V.STAY | 1 | |
| 17 18811-N14-000 | A.I.C.V. SETTING BAND | 1 | |
| 18 90682-V02-900 | TUBE CLAMPER D11.5 | 1 | |
| 19 95002-80000 | TUBE CLIP C12 | 3 | |
| 20 95003-23032-60 | V TUBE | 1 | |

※ Please check the color & stripe information according to the color index !

※N/A = SUBSTITUTE

※Y = EXCHANGEABLE

※N =NOT EXCHANGEABLE



Pictures reference only

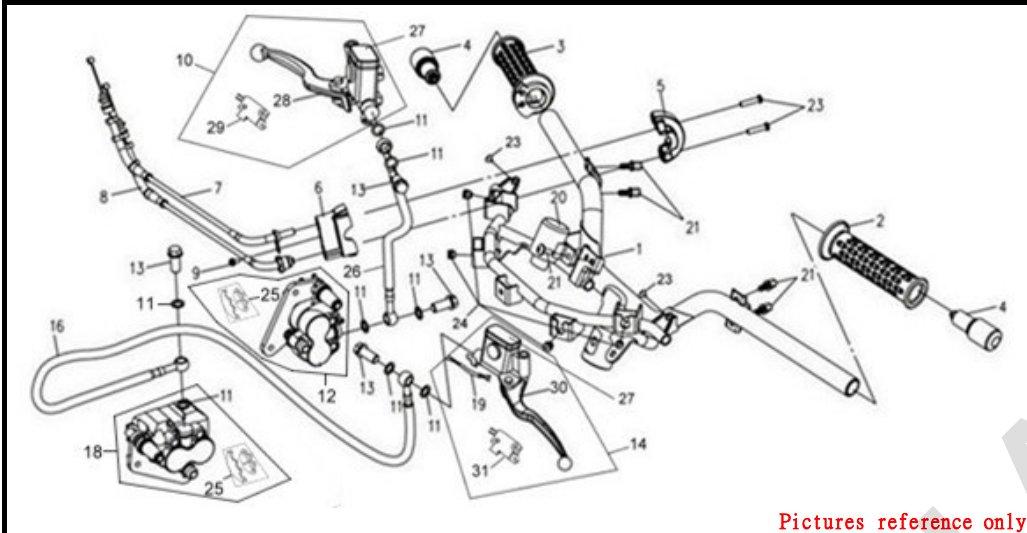
| PARTS NUMBER | DESCRIPTION | QTY | EFFECTIVE DATE | |
|-------------------------|-----------------------------------|-----|----------------|---|
| 1 35150-HEB-000 | LIGHTING SW. UNIT | 1 | | |
| 2 35160-LEA-000 | SATRT SW.UNIT | 1 | | |
| 3 35170-HEB-000 | DIMMER AND OPEN SW. UNIT | 1 | | |
| 4 35180-LEA-000 | HORN SW.UNIT | 1 | | |
| 5 35200-M9Q-000 | WINKER SWITCH ASSY | 1 | | |
| 6 36150-LEA-000 | ENG.STOP SW UNIT | 4 | | |
| 7 37200-LEA-000 | SPEEDOMETER ASSY | 4 | | |
| 7-1 37224-LEA-000 | METER CORD COMP | 1 | | |
| 7-2 37211-LEA-000 | METER LENS | 1 | | |
| 8 53205-LEA-000-KA | UPPER HANDLE COVER(BK-001U) | 5 | | |
| 9 53206-LEA-000-KA | LOWER HANDLE COVER(BK-001U) | 1 | | |
| 10 53207-LEA-000-JZ | FR HANDLE COVER(BK-5395S-D) | 1 | | |
| 10 53207-LEA-000-FQZ | FR HANDLE COVER(BU-289S-D) | 1 | | |
| 10 53207-LEA-000-FQ | FR HANDLE COVER BU-289S | 1 | | |
| 10 53207-LEA-000-IGZ | FR HANDLE COVER(GY-419S-D) | 1 | | |
| 10 53207-LEA-000-IP | FR HANDLE COVER GY-517S | 1 | | |
| 10 53207-LEA-000-IL | FR HANDLE COVER GY-7450U | 1 | | |
| 10 53207-LEA-000-QZ | FR HANDLE COVER(S-421S-D) | 1 | | |
| 10 53207-LEA-000-QU | FR HANDLE COVER WH-300P | 1 | | |
| 10 53207-LEA-000-WS | FR HANDLE COVER WH-005PP | 1 | | |
| 10 53207-LEA-000-WE | FR HANDLE COVER WH-005C | 1 | | |
| 10 53207-LEA-000-KF | FR HANDLE COVER BK-5395S | 1 | | |
| 10 53207-LEA-000-IG | FR HANDLE COVER GY-419S | 1 | | |
| 10 53207-LEA-000-SO | FR HANDLE COVER S-421S | 1 | | |
| 10 53207-LEA-000-JG | FR HANDLE COVER BK-433S | 1 | | |
| 10 53207-LEA-000-UT | FR HANDLE COVER BU-7546S | 1 | | |
| 11 67100-LEA-010 | WIND SCREEN | 1 | 2008/8/1 | Y |
| 12 67110-LEA-000 | WIND SCREEN GARNISH | 1 | | |
| 13 67111-LEA-000 | WIND SCREEN GARNISH RUB. SEAL | 1 | | |
| 14 6711A-LEA-000-KB | WIND SCREEN GARNISH ASSY(BK-001C) | 1 | | |
| 15 90119-HMA-000 | SCREW WASHER 5X18 | 10 | | |
| 16 90308-X04-000 | SPECIAL NUT 5MM | 6 | | |
| 17 93903-25280 | TAPPING SCREW 5X12 | 4 | | |
| 18 93903-25320 | TAPPING SCREW 5X16 | 8 | | |
| 19 93903-34380 | TAPPING SCREW 4X12 | 1 | | |
| 20 17591-HMC-000 | A.I.S.V.RUBBER | 4 | | |
| 21 17592-HMC-000 | A.I.S.V.COLLAR | 4 | | |

※ Please check the color & stripe information according to the color index !

※N/A = SUBSTITUTE

※Y = EXCHANGEABLE

※N =NOT EXCHANGEABLE



Pictures reference only

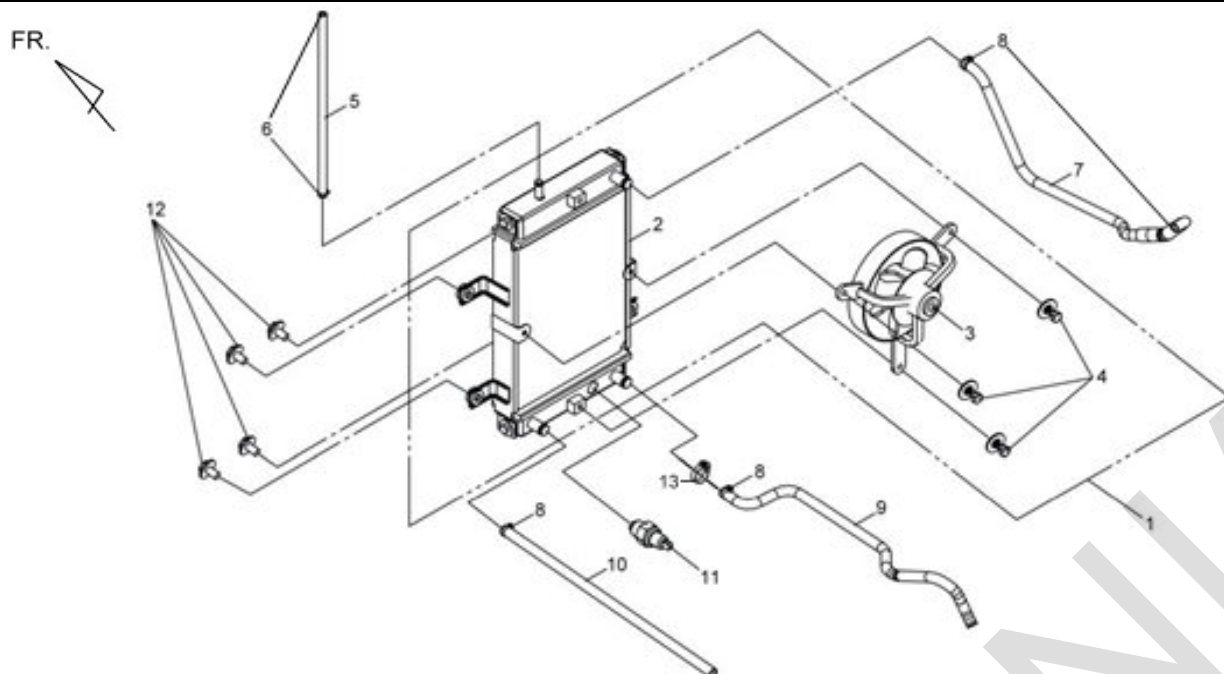
| PARTS NUMBER | DESCRIPTION | QTY | EFFECTIVE DATE | |
|---------------------|-------------------------|-----|----------------|---|
| 1 53100-LEA-000 | HANDLE STRG.COMP | 1 | | |
| 2 53166-H85-000 | L HANDLE GRIP BK-004U | 1 | | |
| 3 53140-HMA-900 | THROT GRIP COMP | 1 | | |
| 4 53104-N02-000 | HANDLE PIPE WT. ASSY. | 2 | | |
| 4-1 53106-N02-000 | HANDLE WEIGHT RUBBER | 2 | | |
| 4-2 90118-N02-000 | HNDL. WT. BOLT | 2 | | |
| 5 53168-LEA-000 | THROT.UP.HOUSING | 1 | | |
| 6 53167-LEA-000 | THROT.UND.HOUSING | 1 | | |
| 7 17910-HMA-000 | THROTTLE CABLE A | 1 | | |
| 8 17920-HMA-000 | THROTTLE CABLE B | 1 | | |
| 9 93891-05012-07 | WASHER SCREW 5X12 | 1 | | |
| 10 45500-LEA-000 | FR MASTER CYLINDER ASSY | 1 | | |
| 10-1 53175-LEA-000 | R.STEERING HANDLE LEVER | 1 | | |
| 10-2 35342-A3B-000 | FR. STOP SW. | 1 | | |
| 11 90545-M9Q-000 | OIL BOLT WASHER | 8 | | |
| 12 45100-LEA-000-SO | FR.CALIPER ASSY(S-421S) | 1 | | |
| 12 45100-LEA-000-SO | FR.CALIPER ASSY(S-421S) | 1 | 2012/12/21 | N |
| 12 45100-LEA-000-RY | FR.CALIPER ASSY R-100C | 1 | | |
| 12 45100-LEA-000-RY | FR.CALIPER ASSY R-100C | 1 | 2012/12/21 | N |
| 13 90145-M9Q-000 | OIL BOLT 10X22 | 4 | | |
| 14 43500-LEA-000 | RR MASTER CYLINDER ASSY | 1 | | |
| 16 43126-LEA-000 | RR BRAKE HOSE B COMP | 1 | | |
| 18 43100-LEA-000-SO | RR.CALIPER ASSY(S-421S) | 1 | | |
| 18 43100-LEA-000-SO | RR.CALIPER ASSY(S-421S) | 1 | 2012/12/21 | N |
| 18 43100-LEA-000-RY | RR.CALIPER ASSY R-100C | 1 | | |
| 18 43100-LEA-000-RY | RR.CALIPER ASSY R-100C | 1 | 2010/11/19 | N |
| 19 32106-H9A-000 | SUB. HARNESS | 1 | 2012/12/21 | |
| 20 38301-RFA-000 | WINKER RELAY COMP | 1 | | |
| 21 90119-HMA-000 | SCREW WASHER 5X18 | 1 | | |
| 22 90110-T53-000 | SPECIAL SCREW 6*12 | 4 | | |
| 23 93500-05022-00 | SCREW PAN 5X22 | 2 | | |
| 24 93903-25280 | TAPPING SCREW 5X12 | 2 | | |
| 25 45105-LEA-010-A | PAD COMP | 2 | | |
| 26 45126-LEA-000 | FR. BRAKE HOSE COMP | 1 | | |
| 27 43502-LEA-000 | FF./FR.BRAKE M/C LID | 2 | | |
| 28 53175-LEA-000 | R.STEERING HANDLE LEVER | 1 | | |
| 29 35342-A3B-000 | FR. STOP SW. | 1 | | |
| 30 53178-LEA-000 | L. STRG HANDLE LEVER | 1 | | |
| 31 35350-LEA-000 | RR. STOP SW. | 1 | | |

※ Please check the color & stripe information according to the color index !

※N/A = SUBSTITUTE

※Y = EXCHANGEABLE

※N = NOT EXCHANGEABLE



Pictures reference only

| PARTS NUMBER | | DESCRIPTION | QTY | EFFECTIVE DATE | |
|--------------|----------------------|----------------------------|-----|----------------|---|
| 1 | 19000-HMA-000 | RADIATOR ASSY | 1 | | |
| 1 | 19000-LEA-000 | RADIATOR ASSY. | 1 | 2008/8/14 | N |
| 1 | 19000-LEA-900 | RADIATOR ASSY. | 1 | 2009/12/1 | N |
| 2 | 19010-HMA-000 | RADIATOR COMP | 1 | | |
| 2 | 19010-LEA-000 | RADIATOR COMP | 1 | 2008/8/14 | N |
| 2 | 19010-LEA-900 | RADIATOR COMP | 1 | 2009/12/1 | N |
| 3 | 19020-HMA-000 | N/A SHROUD ASSY | 1 | | |
| 4 | 93405-06012-08 | WASHER BOLT | 3 | | |
| 5 | 19503-LEA-000 | RES TANK INLET WATER HOSE | 1 | | |
| 5 | 19503-LEA-010 | RES TANK INLET WATER HOSE | 1 | 2008/8/14 | N |
| 6 | 19505-M8Q-000 | WATER HOSE CLAMP A | 1 | | |
| 7 | 19501-LEA-000 | RADIATOR INLET WATWE HOSE | 1 | | |
| 7 | 19501-LEA-900 | RADIATOR INLET WATWE HOSE | 1 | 2009/12/1 | N |
| 8 | 19505-KS6-700 | N/A WATER HOSE CLAMP A | 3 | | |
| 9 | 19505-LEA-000 | ENG INLET WATER HOSE | 1 | | |
| 9 | 19505-LEA-900 | ENG INLET WATER HOSE | 1 | 2009/12/1 | N |
| 10 | 19507-LEA-000 | ENG INLET WATWE HOSE | 1 | | |
| 10 | 19507-LEA-020 | RES TANK OUTLET WATER HOSE | 1 | 2009/2/16 | N |
| 10 | 19507-LEA-900 | RES TANK OUTLET WATER HOSE | 1 | 2009/12/1 | N |
| 11 | 37760-HMA-000 | THERMO. SW | 1 | | |
| 12 | 93404-06020-08 | WASHER BOLT | 4 | | |
| 13 | 19505-REA-000 | HOSE CLAMP | 1 | | |

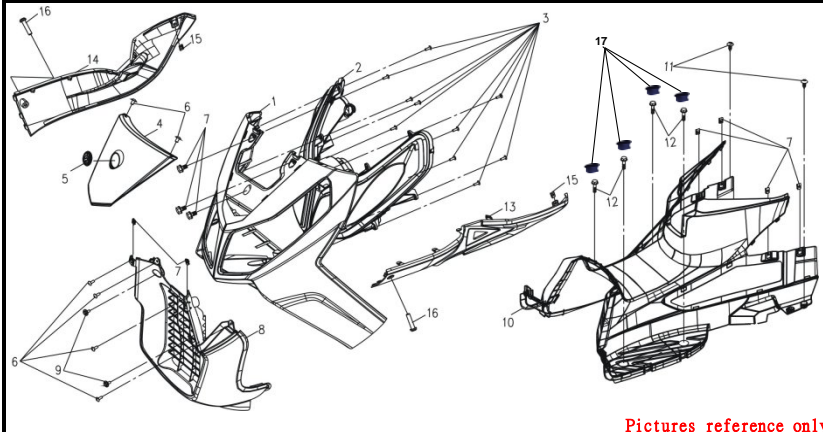
TEAMWORLD IND. 2008.02

※ Please check the color & stripe information according to the color index !

※N/A = SUBSTITUTE

※Y = EXCHANGEABLE

※N =NOT EXCHANGEABLE



Pictures reference only

| PARTS NUMBER | DESCRIPTION | QTY | EFFECTIVE DATE | |
|----------------------------|-------------------------------|-----|----------------|---|
| 1 64301-LEA-000-JZ | FR COVER(BK-5395S-D) | 1 | | |
| 1 64301-LEA-000-FQZ | FR COVER(BU-289S-D) | 1 | | |
| 1 64301-LEA-000-FQ | FR COVER BU-289S | 1 | | |
| 1 64301-LEA-000-IGZ | FR COVER(GY-419S-D) | 1 | | |
| 1 64301-LEA-000-IP | FR COVER GY-517S | 1 | | |
| 1 64301-LEA-000-IL | FR COVER GY-7450U | 1 | | |
| 1 64301-LEA-000-QZ | FR COVER(S-421S-D) | 1 | | |
| 1 64301-LEA-000-QU | FR COVER WH-300P | 1 | | |
| 1 64301-LEA-000-WS | FR COVER WH-005PP | 1 | | |
| 1 64301-LEA-000-WE | FR COVER WH-005C | 1 | | |
| 1 64301-LEA-000-KF | FR COVER BK-5395S | 1 | | |
| 1 64301-LEA-000-IG | FR COVER GY-419S | 1 | | |
| 1 64301-LEA-000-SO | FR COVER S-421S | 1 | | |
| 1 64301-LEA-000-JG | FR COVER BK-433S | 1 | | |
| 1 64301-LEA-000-UT | FR COVER BU-7546S | 1 | | |
| 2 33100-LEA-000 | HEAD LIGHT ASSY | 1 | | |
| 2-1 34901-LEA-000 | N/A HEAD LIGHT BULB | 1 | | |
| 2-2 34905-HMA-000 | BULB WINKER 12V/21W | 1 | | |
| 2-3 34908-LEA-000 | N/A POSITION BULB | 1 | | |
| 2-4 33130-LEA-000 | SOCKET,HEAD LIGHT COMP | 1 | | |
| 3 93903-25320 | TAPPING SCREW 5X16 | 10 | | |
| 4 6430G-LEA-000-KB | FR.COVER EMBLEM ASSY(BK-001C) | 1 | | |
| 5 87123-H85-000 | S-LOGO 40MM(POLY) | 1 | | |
| 5 87123-TFR-000 | S-LOGO 40MM(POLY) | 1 | 13.04.2009 | Y |
| 5 87123-LVG-000 | S LOGO (40PU-AL) | 1 | 30.08.2011 | |
| 6 93903-34320 | TAPPING SCREW 4X12 | 6 | | |
| 7 93404-06012-07 | WASHER BOLT 6X12 | 6 | | |
| 8 64300-LEA-000-JZ | FR UNDER SPOILER(BK-5395S-D) | 1 | | |
| 8 64300-LEA-010-JZ | FR UNDER SPOILER BK-5395S-D | 1 | 03.11.2008 | N |
| 8 64300-LEA-000-FQZ | FR UNDER SPOILER(BU-289S-D) | 1 | | |
| 8 64300-LEA-010-FQZ | FR UNDER SPOILER BU-289S-D | 1 | 03.11.2008 | N |
| 8 64300-LEA-010-FQ | FR UNDER SPOILER BU-289S | 1 | | |
| 8 64300-LEA-000-IGZ | FR UNDER SPOILER(GY-419S-D) | 1 | | |
| 8 64300-LEA-010-IGZ | FR UNDER SPOILER GY-419S-D | 1 | 03.11.2008 | N |
| 8 64300-LEA-010-IP | FR UNDER SPOILER GY-517S | 1 | | |
| 8 64300-LEA-010-IL | FR UNDER SPOILER GY-7450U | 1 | | |
| 8 64300-LEA-000-QZ | FR UNDER SPOILER(S-421S-D) | 1 | | |
| 8 64300-LEA-010-QZ | FR UNDER SPOILER S-421S-D | 1 | 03.11.2008 | N |
| 8 64300-LEA-000-QU | FR UNDER SPOILER WH-300P | 1 | | |
| 8 64300-LEA-010-QU | FR UNDER SPOILER WH-300P | 1 | 03.11.2008 | N |
| 8 64300-LEA-010-WS | FR UNDER SPOILER WH-005PP | 1 | | |
| 8 64300-LEA-010-WE | FR UNDER SPOILER WH-005C | 1 | | |
| 8 64300-LEA-010-KF | FR UNDER SPOILER BK-5395S | 1 | | |
| 8 64300-LEA-010-IG | FR UNDER SPOILER GY-419S | 1 | | |
| 8 64300-LEA-010-SO | FR UNDER SPOILER S-421S | 1 | | |
| 8 64300-LEA-010-JG | FR. UNDER SPOILER BK-433S | 1 | | |
| 8 64300-LEA-010-UT | FR UNDER SPOILER BU-7546S | 1 | | |
| 9 93404-06016-07 | BOLT WASHER 6X16 | 2 | | |
| 10 64310-LEA-000-KA | FLOOR PANEL(BK-001U) | 1 | | |
| 10 64310-LEA-010-KA | FLOOR PANEL BK-001U | 1 | 03.11.2008 | N |
| 10-1 64303-HEG-000 | PILLION STEP CAP COLLAR | 2 | 03.11.2008 | |
| 10-2 64306-HEB-000 | PILLION STEP CAP(BK) | 2 | 03.11.2008 | |
| 11 93903-34380 | TAPPING SCREW 4X12 | 2 | | |
| 12 90308-X04-000 | SPECIAL NUT 5MM | 2 | | |

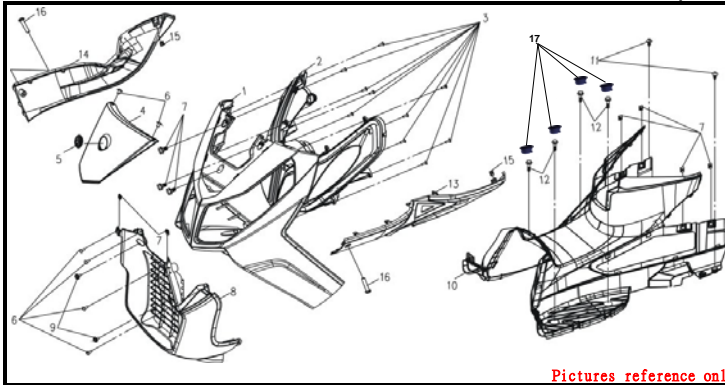
TEAMWORLD IND. 2008.02

※ Please check the color & stripe information according to the color index !

※N/A = SUBSTITUTE

※Y = EXCHANGEABLE

※N =NOT EXCHANGEABLE



Pictures reference only

| PARTS NUMBER | DESCRIPTION | QTY | EFFECTIVE DATE |
|----------------------|--------------------------|-----|----------------|
| 13 83620-LEA-000-JZ | L SIDE COVER(BK-5395S-D) | 1 | |
| 13-1 87123-HWA-000-S | SYM STRIPE S-480S | 1 | |
| 13 83620-LEA-000-FQZ | L SIDE COVER(BU-289S-D) | 1 | |
| 13-1 87123-HWA-000-S | SYM STRIPE S-480S | 1 | |
| 13 83620-LEA-000-FQ | L SIDE COVER BU-289S | 1 | |
| 13-1 87123-HWA-000-S | SYM STRIPE S-480S | 1 | |
| 13 83620-LEA-000-IGZ | L SIDE COVER(GY-419S-D) | 1 | |
| 13-1 87123-HWA-000-S | SYM STRIPE S-480S | 1 | |
| 13 83620-LEA-000-IP | L SIDE COVER GY-517S | 1 | |
| 13-1 87123-HWA-000-S | SYM STRIPE S-480S | 1 | |
| 13 83620-LEA-000-IL | L SIDE COVER GY-7450U | 1 | |
| 13-1 87123-HWA-000-S | SYM STRIPE S-480S | 1 | |
| 13 83620-LEA-000-QZ | L SIDE COVER(S-421S-D) | 1 | |
| 13-1 87123-HWA-000-S | SYM STRIPE S-480S | 1 | |
| 13 83620-LEA-000-QU | L SIDE COVER WH-300P | 1 | |
| 13-1 87123-HWA-000-S | SYM STRIPE S-480S | 1 | |
| 13 83620-LEA-000-WS | L SIDE COVER WH-005PP | 1 | |
| 13-1 87123-HWA-000-S | SYM STRIPE S-480S | 1 | |
| 13 83620-LEA-000-WE | L SIDE COVER WH-005C | 1 | |
| 13-1 87123-HWA-000-S | SYM STRIPE S-480S | 1 | |
| 13 83620-LEA-000-KF | L SIDE COVER BK-5395S | 1 | |
| 13-1 87123-HWA-000-S | SYM STRIPE S-480S | 1 | |
| 13 83620-LEA-000-IG | L SIDE COVER GY-419S | 1 | |
| 13-1 87123-HWA-000-S | SYM STRIPE S-480S | 1 | |
| 13 83620-LEA-000-SO | L SIDE COVER S-421S | 1 | |
| 13-1 87123-HWA-000-S | SYM STRIPE S-480S | 1 | |
| 13 83620-LEA-000-JG | L SIDE COVER BJ-433S | 1 | |
| 13-1 87123-HWA-000-S | SYM STRIPE S-480S | 1 | |
| 13 83620-LEA-000-UT | L SIDE COVER BU-7546S | 1 | |
| 13-1 87123-HWA-000-S | SYM STRIPE S-480S | 1 | |
| 14 83520-LEA-000-JZ | R SIDE COVER(BK-5395S-D) | 1 | |
| 14-1 87123-HWA-000-S | SYM STRIPE S-480S | 1 | |
| 14 83520-LEA-000-FQZ | R SIDE COVER(BU-289S-D) | 1 | |
| 14-1 87123-HWA-000-S | SYM STRIPE S-480S | 1 | |
| 14 83520-LEA-000-FQ | R SIDE COVER BU-289S | 1 | |
| 14-1 87123-HWA-000-S | SYM STRIPE S-480S | 1 | |
| 14 83520-LEA-000-IGZ | R SIDE COVER(GY-419S-D) | 1 | |
| 14-1 87123-HWA-000-S | SYM STRIPE S-480S | 1 | |
| 14 83520-LEA-000-IP | R SIDE COVER GY-517S | 1 | |
| 14-1 87123-HWA-000-S | SYM STRIPE S-480S | 1 | |
| 14 83520-LEA-000-IL | R SIDE COVER GY-7450U | 1 | |
| 14-1 87123-HWA-000-S | SYM STRIPE S-480S | 1 | |
| 14 83520-LEA-000-QZ | R SIDE COVER(S-421S-D) | 1 | |
| 14-1 87123-HWA-000-S | SYM STRIPE S-480S | 1 | |
| 14 83520-LEA-000-QU | R SIDE COVER WH-300P | 1 | |
| 14-1 87123-HWA-000-S | SYM STRIPE S-480S | 1 | |
| 14 83520-LEA-000-WS | R SIDE COVER WH-005PP | 1 | |
| 14-1 87123-HWA-000-S | SYM STRIPE S-480S | 1 | |
| 14 83520-LEA-000-WE | R SIDE COVER WH-005C | 1 | |
| 14-1 87123-HWA-000-S | SYM STRIPE S-480S | 1 | |
| 14 83520-LEA-000-KF | R SIDE COVER BK-5395S | 1 | |
| 14-1 87123-HWA-000-S | SYM STRIPE S-480S | 1 | |
| 14 83520-LEA-000-IG | R SIDE COVER GY-419S | 1 | |
| 14-1 87123-HWA-000-S | SYM STRIPE S-480S | 1 | |
| 14 83520-LEA-000-SO | R SIDE COVER S-421S | 1 | |
| 14-1 87123-HWA-000-S | SYM STRIPE S-480S | 1 | |
| 14 83520-LEA-000-JG | R SIDE COVER BK-433S | 1 | |
| 14-1 87123-HWA-000-S | SYM STRIPE S-480S | 1 | |
| 14 83520-LEA-000-UT | R SIDE COVER BU-7546S | 1 | |
| 14-1 87123-HWA-000-S | SYM STRIPE S-480S | 1 | |
| 15 90677-M9Q-000 | N/A CLIP NUT 5MMX0.8 | 1 | |
| 16 93891-05016-07 | WASH SCREW 5X16 | 2 | |
| 17 50612-F02-010-KA | CAP A FLR STEP (BK-001U) | 1 | |

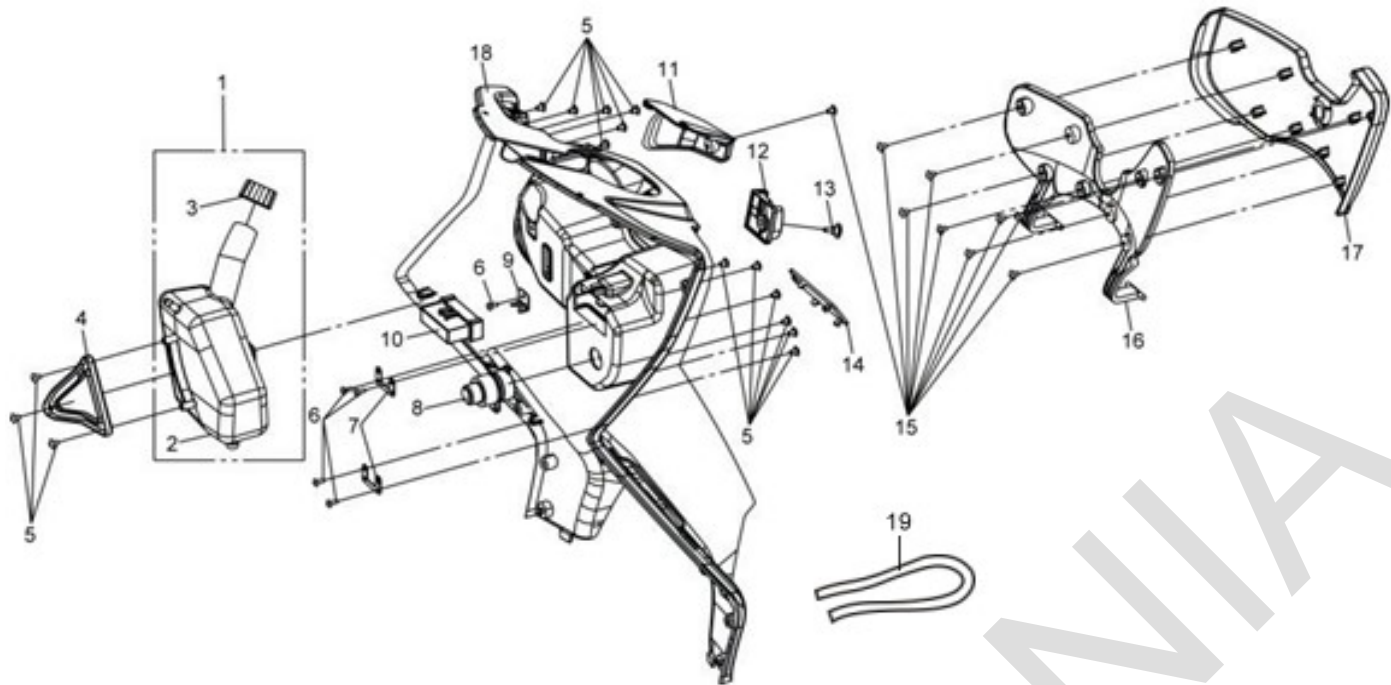
TEAMWORLD IND. 2008.02

※ Please check the color & stripe information according to the color index !

※N/A = SUBSTITUTE

※Y = EXCHANGEABLE

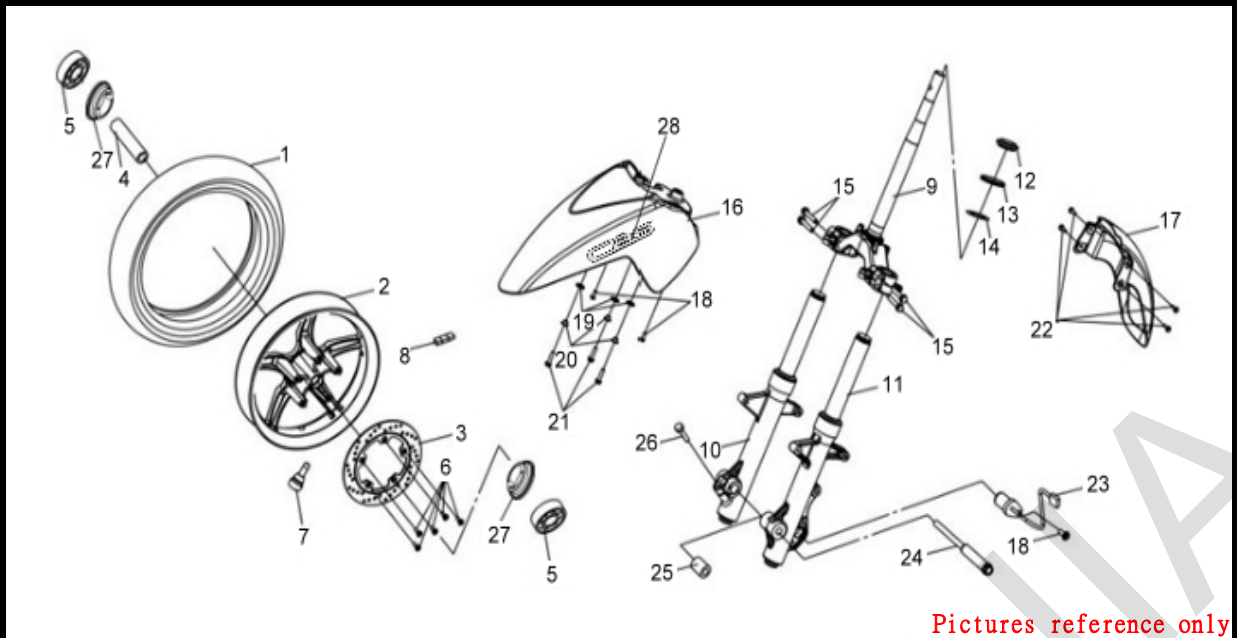
※N =NOT EXCHANGEABLE



Pictures reference only

| PARTS NUMBER | DESCRIPTION | QTY | EFFECTIVE DATE | |
|----------------------------|----------------------------------|-----|----------------|---|
| 1 1910A-LEA-000 | RESERVE TANK ASSY | 1 | | |
| 2 19101-LEA-000 | RESERVE TANK | 1 | | |
| 3 19015-HMA-000 | RESERVE TANK CAP | 1 | | |
| 4 19102-LEA-000 | RESERVE TANK STAY | 1 | | |
| 5 93903-25220 | TAPPING SCREW 5X12 | 15 | | |
| 6 93903-34380 | TAPPING SCREW 4X12 | 5 | | |
| 7 81143-LEA-000 | INN.BOX LID HINGE STAY | 2 | | |
| 8 38600-RA1-000 | DC. POWER OUTLET | 1 | | |
| 9 32102-HMA-000 | FUSE BOX STAY | 1 | | |
| 10 32120-HMA-000 | FUSE BOX COMP | 1 | | |
| 11 81152-LEA-000 | RES TANK LID(BK-001U) | 1 | | |
| 12 81132-H6T-000-KA | LUGGAGE HOOK (BK-001U) | 1 | | |
| 13 93404-06012-07 | WASHER BOLT 6X12 | 1 | | |
| 14 64318-H6B-010-KA | FRAME NUMBER LID(BK-001U) | 1 | | |
| 15 93903-25280 | TAPPING SCREW 5X12 | 9 | | |
| 16 81142-LEA-000 | INNER BOX LID STIFFENER(BK-001U) | 1 | | |
| 17 81141-LEA-000 | INNER BOX LID(BK-001U) | 1 | | |
| 18 81131-LEA-000-KA | INNER BOX(BK-001U) | 1 | | |
| 18 81131-LEA-010-KA | INNER BOX BK-001U | 1 | 2009/1/5 | N |
| 19 81146-LEA-000 | INNER BOX SEAL | 1 | 2008/10/1 | |

※ Please check the color & stripe information according to the color index !
 ※N/A = SUBSTITUTE ※Y = EXCHANGEABLE ※N =NOT EXCHANGEABLE



Pictures reference only

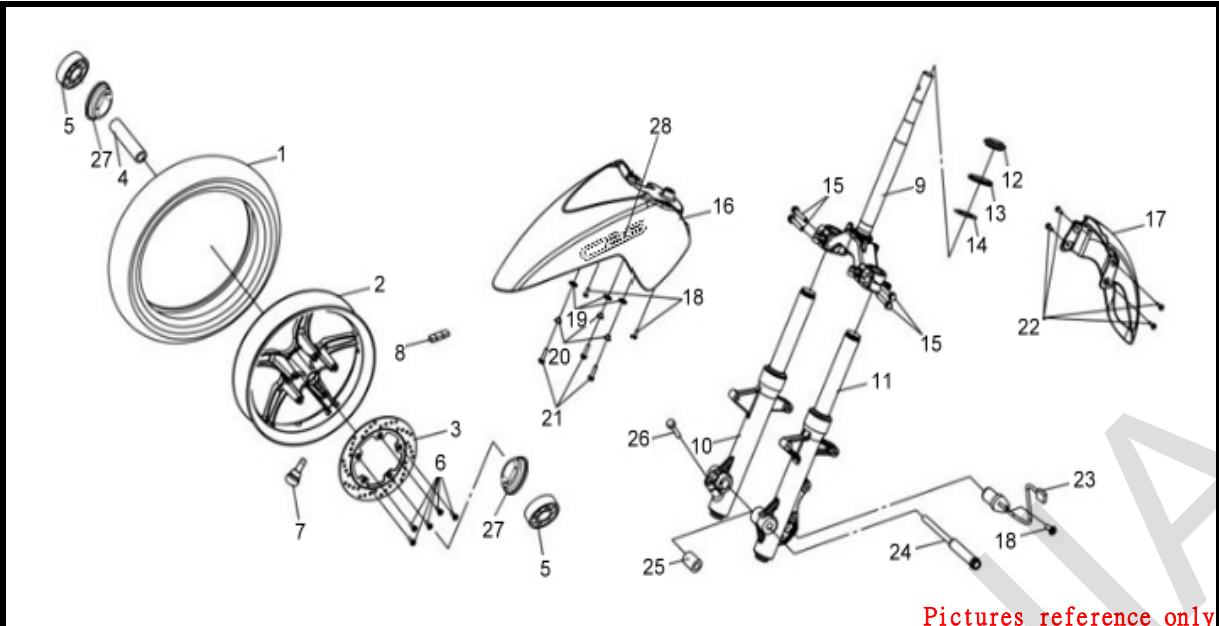
| PARTS NUMBER | DESCRIPTION | QTY | EFFECTIVE DATE |
|------------------------|----------------------------|-----|----------------|
| 1 1T011107016-4PR-6031 | FR. TUBELESS TIRE 52P | 1 | |
| 2 44601-LEA-000-SO | FR CAST WHEEL COMP(S-421S) | 1 | |
| 2 44601-LEA-000-KB1 | FR CAST WHEEL COMP BK-001C | 1 | |
| 3 45121-LEA-000-SO | FR BRAKE DISK(S-421) | 1 | |
| 3 45121-LEA-000-DH | FR BRAKE DISK(GD-111S) | 1 | |
| 4 44620-LEA-000 | FR AXLE DIST COLLAR | 1 | |
| 5 90912-LEA-000 | BEARING 6202(LLU) | 2 | |
| 6 90105-KR3-000 | FR. DISK BOLT 8X24 | 5 | |
| 7 42753-KBN-902 | N/A VALVE RIM | 1 | |
| 8 44720-H9A-000 | BALANCE WEIGHT | 1 | |
| 9 53200-LEA-000 | STRG STEM COMP | 1 | |
| 10 51400-LEA-000-SO | R CUSHION ASSY(S-421S) | 1 | |
| 10 51400-LEA-000-GB | R CUSHION ASSY(GY-096S) | 1 | |
| 10 51400-LEA-000-KB | R CUSHION ASSY BK-001C | 1 | |
| 10-1 91255-LEA-000 | OIL SEAL | 1 | |
| 10-2 91256-LEA-000 | DUST OIL SEAL | 1 | |
| 10-3 51410-LEA-000 | FR.CUSHION PIPE | 1 | |
| 10-4 FA581-487-00 | SPRING COLLAR | 1 | |
| 10-5 F8781-340-00 | O-RING | 1 | |
| 11 51500-LEA-000-SO | L CUSHION ASSY(S-421S) | 1 | |
| 11 51500-LEA-000-GB | L CUSHION ASSY(GY-096S) | 1 | |
| 11 51500-LEA-000-KB | L CUSHION ASSY BK-001C | 1 | |
| 11-1 91255-LEA-000 | OIL SEAL | 1 | |
| 11-2 91256-LEA-000 | DUST OIL SEAL | 1 | |
| 11-3 51410-LEA-000 | FR.CUSHION PIPE | 1 | |
| 11-4 FA581-487-00 | SPRING COLLAR | 1 | |
| 11-5 F8781-340-00 | O-RING | 1 | |
| 12 53212-LEA-000 | STRG BOTTOM CONE RACE | 1 | |
| 13 53214-HMA-000 | STRG. DUST SEAL | 1 | |

※ Please check the color & stripe information according to the color index !

※N/A = SUBSTITUTE

※Y = EXCHANGEABLE

※N =NOT EXCHANGEABLE



Pictures reference only

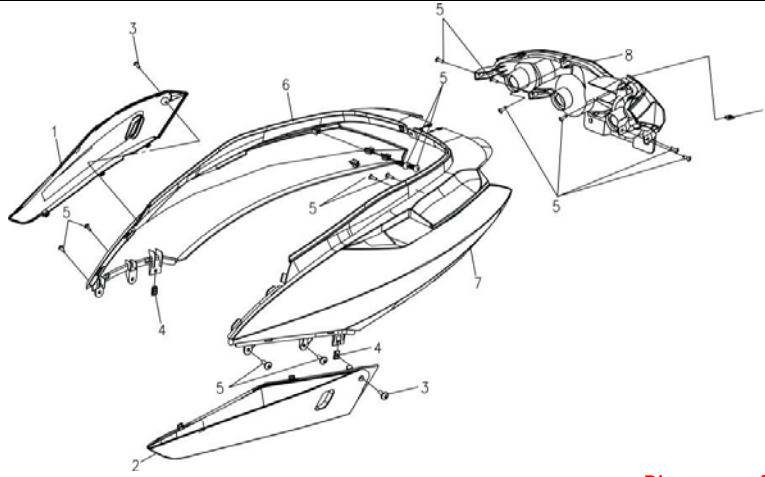
| PARTS NUMBER | DESCRIPTION | QTY | EFFECTIVE DATE | |
|-------------------------|--------------------------------|-----|----------------|---|
| 14 53215-HHA-000 | S DUST SEAL WASHER(34.5X52X.6) | 1 | | |
| 15 95801-10045-08 | BOLT FANGE | 4 | | |
| 16 61100-LEA-000-JZ | FR.FENDER(BK-5395S-D) | 1 | | |
| 16 61100-LEA-000-FQZ | FR.FENDER(BU-289S-D) | 1 | | |
| 16 61100-LEA-000-FQ | FR.FENDER BU-289S | 1 | | |
| 16 61100-LEA-000-IGZ | FR.FENDER(GY-419S-D) | 1 | | |
| 16 61100-LEA-000-IP | FR.FENDER GY-517S | 1 | | |
| 16 61100-LEA-000-IL | FR.FENDER GY-7450U | 1 | | |
| 16 61100-LEA-000-QZ | FR.FENDER(S-421S-D) | 1 | | |
| 16 61100-LEA-000-QU | FR.FENDER WH-300P | 1 | | |
| 16 61100-LEA-000-WS | FR.FENDER WH-005PP | 1 | | |
| 16 61100-LEA-000-WE | FR.FENDER WH-005C | 1 | | |
| 16 61100-LEA-000-KF | FR.FENDER BK-5395S | 1 | | |
| 16 61100-LEA-000-IG | FR.FENDER GY-419S | 1 | | |
| 16 61100-LEA-000-SO | FR.FENDER S-421S | 1 | | |
| 16 61100-LEA-000-JG | FR.FENDER BK-433S | 1 | | |
| 16 61100-LEA-000-UT | FR.FENDER BU-7546S | 1 | | |
| 17 61110-LEA-000-KA | FR.MUDGUARD(BK-001U) | 1 | | |
| 18 95801-06016-07 | FLANGE BOLT 6X16 | 2 | | |
| 19 90104-X04-000 | FR. FORK COVER COLLAR | 3 | | |
| 20 77226-M3F-000 | DAMPING RUBBER | 3 | | |
| 21 95801-06030-08 | FLANGE BOLT | 3 | | |
| 22 93891-06020-07 | WASHER SCREW 6*20 | 4 | | |
| 23 44800-HMB-000 | SPEED SENSOR ASSY | 1 | | |
| 23 44800-LEA-000 | SPEED SENSOR ASSY | 1 | 2008/7/21 | N |
| 24 44301-LEA-000 | FR WHEEL AXLE | 1 | | |
| 25 44311-LEA-000 | FR WHEEL SIDE COLLAR | 1 | | |
| 26 96700-08020-00 | SOCKET BOLT 8X20 | 1 | | |
| 27 90754-LEA-000 | DUST SEAL 20X35X5.0 | 2 | | |
| 28 87124-LEA-000 | FR. FENDER EMBLEM(CBS) | 2 | | |

※ Please check the color & stripe information according to the color index !

※N/A = SUBSTITUTE

※Y = EXCHANGEABLE

※N =NOT EXCHANGEABLE



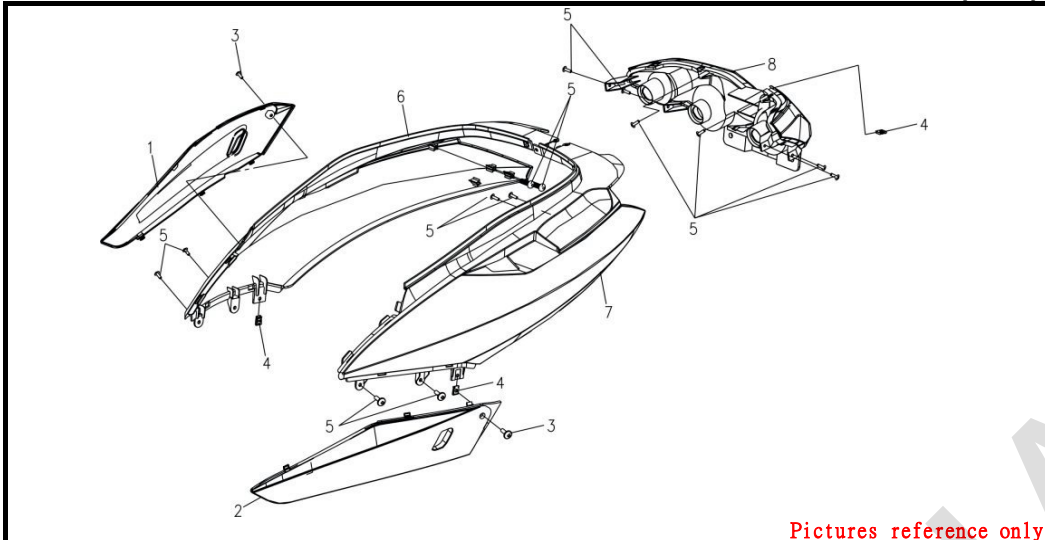
Pictures reference only

| PARTS NUMBER | DESCRIPTION | QTY | EFFECTIVE DATE |
|---------------------|---------------------------------|-----|----------------|
| 1 64313-LEA-000-QZ | R.SIDE GARNISH(S-421S-D) | 1 | |
| 1 64313-LEA-000-KB | R.SIDE GARNISH BK-001C | 1 | |
| 1 64313-LEA-000-SO | R.SIDE GARNISH S-421S | 1 | |
| 2 64314-LEA-000-QZ | L.SIDE GARNISH(S-421S-D) | 1 | |
| 2 64314-LEA-000-KB | L.SIDE GARNISH BK-001C | 1 | |
| 2 64314-LEA-000-SO | L.SIDE GARNISH S-421S | 1 | |
| 3 93404-06012-07 | WASHER BOLT 6X12 | 2 | |
| 4 90308-X04-000 | SPECIAL NUT 5MM | 3 | |
| 5 93903-25220 | TAPPING SCREW 5X12 | 10 | |
| 6 8350G-LEA-000-JZ | R.BODY COVER ASSY(BK-5395S-D) | 1 | |
| 6-1 87127-LEA-000 | BODY COVER EMBLEM(CITYCOM 300i) | 1 | |
| 6 8350G-LEA-000-FQZ | R.BODY COVER ASSY(BU-289S-D) | 1 | |
| 6-1 87127-LEA-000 | BODY COVER EMBLEM(CITYCOM 300i) | 1 | |
| 6 8350G-LEA-000-FQ | R.BODY COVER ASSY BU-289S | 1 | |
| 6-1 87127-LEA-000 | BODY COVER EMBLEM(CITYCOM 300i) | 1 | |
| 6 8350G-LEA-000-IGZ | R.BODY COVER ASSY(GY-419S-D) | 1 | |
| 6-1 87127-LEA-000 | BODY COVER EMBLEM(CITYCOM 300i) | 1 | |
| 6 8350G-LEA-000-IP | R BODY COVER ASSY GY-517S | 1 | |
| 6-1 87127-LEA-000 | BODY COVER EMBLEM(CITYCOM 300i) | 1 | |
| 6 8350G-LEA-000-IL | R BODY COVER ASSY GY-7450U | 1 | |
| 6-1 87127-LEA-000 | BODY COVER EMBLEM(CITYCOM 300i) | 1 | |
| 6 8350G-LEA-000-QZ | R.BODY COVER ASSY(S-421S-D) | 1 | |
| 6-1 87127-LEA-000 | BODY COVER EMBLEM(CITYCOM 300i) | 1 | |
| 6 8350G-LEA-000-QU | R BODY COVER ASSY WH-300P | 1 | |
| 6-1 87127-LEA-000 | BODY COVER EMBLEM(CITYCOM 300i) | 1 | |
| 6 8350G-LEA-600-QU | R.BODY COVER ASSY WH-300P | 1 | |
| 6-1 87127-LEA-000 | BODY COVER EMBLEM(CITYCOM 300i) | 1 | |
| 6-2 87129-LEA-000 | BODY COVER EMBLEM A | 1 | |
| 6 8350G-LEA-600-WS | R BODY COVER ASSY WH-005PP | 1 | |
| 6-1 87127-LEA-000 | BODY COVER EMBLEM(CITYCOM 300i) | 1 | |
| 6-2 87129-LEA-000 | BODY COVER EMBLEM A | 1 | |
| 6 83500-LEA-000-WE | R BODY COVER WH-005C | 1 | |
| 6-1 87127-LEA-000 | BODY COVER EMBLEM(CITYCOM 300i) | 1 | |
| 6-2 87129-LEA-000 | BODY COVER EMBLEM A | 1 | |
| 6 8350G-LEA-000-KF | R BODY COVER ASSY BK-5395S | 1 | |
| 6-1 87127-LEA-000 | BODY COVER EMBLEM(CITYCOM 300i) | 1 | |
| 6 8350G-LEA-000-IG | R BODY COVER ASSY GY-419S | 1 | |
| 6-1 87127-LEA-000 | BODY COVER EMBLEM(CITYCOM 300i) | 1 | |
| 6 8350G-LEA-000-SO | R BODY COVER ASSY S-421S-D | 1 | |
| 6-1 87127-LEA-000 | BODY COVER EMBLEM(CITYCOM 300i) | 1 | |
| 6 8350G-LEA-000-JG | R BODY COVER ASSY BK-433S | 1 | |
| 6-1 87127-LEA-000 | BODY COVER EMBLEM(CITYCOM 300i) | 1 | |
| 6 8350G-LEA-000-UT | R BODY COVER ASSY BU-7546S | 1 | |
| 6-1 87127-LEA-000 | BODY COVER EMBLEM(CITYCOM 300i) | 1 | |

TEAMWORLD IND. 2008.02

※ Please check the color & stripe information according to the color index !

※N/A = SUBSTITUTE ※Y = EXCHANGEABLE ※N =NOT EXCHANGEABLE



Pictures reference only

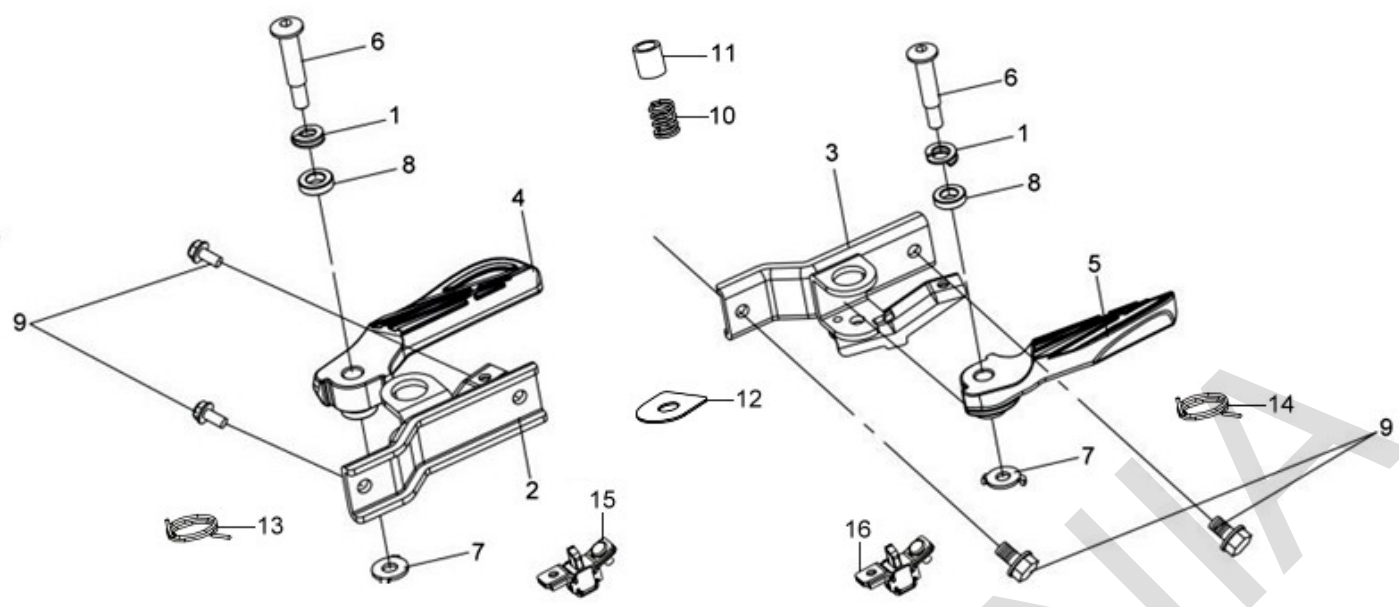
| PARTS NUMBER | DESCRIPTION | QTY | EFFECTIVE DATE |
|---------------------|---------------------------------|-----|----------------|
| 7 8360G-LEA-000-JZ | L.BODY COVER ASSY(BK-5395S-D) | 1 | |
| 7-1 87127-LEA-000 | BODY COVER EMBLEM(CITYCOM 300i) | 1 | |
| 7 8360G-LEA-000-FQZ | L.BODY COVER ASSY(BU-289S-D) | 1 | |
| 7-1 87127-LEA-000 | BODY COVER EMBLEM(CITYCOM 300i) | 1 | |
| 7 8360G-LEA-000-FQ | L.BODY COVER ASSY BU-289S | 1 | |
| 7-1 87127-LEA-000 | BODY COVER EMBLEM(CITYCOM 300i) | 1 | |
| 7 8360G-LEA-000-IGZ | L.BODY COVER ASSY(GY-419S-D) | 1 | |
| 7-1 87127-LEA-000 | BODY COVER EMBLEM(CITYCOM 300i) | 1 | |
| 7 8360G-LEA-000-IP | L BODY COVER ASSY GY-517S | 1 | |
| 7-1 87127-LEA-000 | BODY COVER EMBLEM(CITYCOM 300i) | 1 | |
| 7 8360G-LEA-000-IL | L BODY COVER ASSY GY-7450U | 1 | |
| 7-1 87127-LEA-000 | BODY COVER EMBLEM(CITYCOM 300i) | 1 | |
| 7 8360G-LEA-000-QZ | L.BODY COVER ASSY(S-421S-D) | 1 | |
| 7-1 87127-LEA-000 | BODY COVER EMBLEM(CITYCOM 300i) | 1 | |
| 7 8360G-LEA-000-QU | L BODY COVER ASSY WH-300P | 1 | |
| 7-1 87127-LEA-000 | BODY COVER EMBLEM(CITYCOM 300i) | 1 | |
| 7 8360G-LEA-600-QU | L.BODY COVER ASSY WH-300P | 1 | |
| 7-1 87127-LEA-000 | BODY COVER EMBLEM(CITYCOM 300i) | 1 | |
| 7-2 87129-LEA-000 | BODY COVER EMBLEM A | 1 | |
| 7 8360G-LEA-600-WS | L BODY COVER ASSY WH-005PP | 1 | |
| 7-1 87127-LEA-000 | BODY COVER EMBLEM(CITYCOM 300i) | 1 | |
| 7-2 87129-LEA-000 | BODY COVER EMBLEM A | 1 | |
| 7 83600-LEA-000-WE | L BODY COVER WH-005C | 1 | |
| 7-1 87127-LEA-000 | BODY COVER EMBLEM(CITYCOM 300i) | 1 | |
| 7-2 87129-LEA-000 | BODY COVER EMBLEM A | 1 | |
| 7 8360G-LEA-000-KF | L BODY COVER ASSY BK-5395S | 1 | |
| 7-1 87127-LEA-000 | BODY COVER EMBLEM(CITYCOM 300i) | 1 | |
| 7 8360G-LEA-000-IG | L BODY COVER ASSY GY-419S | 1 | |
| 7-1 87127-LEA-000 | BODY COVER EMBLEM(CITYCOM 300i) | 1 | |
| 7 8360G-LEA-000-SO | L BODY COVER ASSY S-421S | 1 | |
| 7-1 87127-LEA-000 | BODY COVER EMBLEM(CITYCOM 300i) | 1 | |
| 7 8360G-LEA-000-JG | L BODY COVER ASSY BK-433S | 1 | |
| 7-1 87127-LEA-000 | BODY COVER EMBLEM(CITYCOM 300i) | 1 | |
| 7 8360G-LEA-000-UT | L BODY COVER ASSY BU-7546S | 1 | |
| 7-1 87127-LEA-000 | BODY COVER EMBLEM(CITYCOM 300i) | 1 | |
| 8 33700-LEA-000 | RR.COMB LIGHT ASSY | 1 | |
| 8-1 34906-LEA-000 | BULB TALL & STOP | 1 | |
| 8-2 34905-RCA-000 | WINKER BULB | 2 | |

※ Please check the color & stripe information according to the color index !

※N/A = SUBSTITUTE

※Y = EXCHANGEABLE

※N =NOT EXCHANGEABLE



Pictures reference only

| PARTS NUMBER | | DESCRIPTION | QTY | EFFECTIVE DATE | |
|--------------|----------------------|-----------------------------|-----|----------------|---|
| 1 | 28322-M9Q-300 | KICK STARTER KNUCKLE SPRING | 1 | | |
| 2 | 50613-LEA-000 | R.PILLION STEP BRKT | 1 | | |
| 3 | 50614-LEA-000 | L.PILLION STEP BRKT | 1 | | |
| 4 | 50717-HEB-000 | R.PILLION STEP | 1 | | |
| 4 | 50717-HEA-000 | R.PILLION STEP S-880S | 1 | | |
| 5 | 50718-HEB-000 | L.PILLION STEP | 1 | | |
| 5 | 50718-HEA-000 | L.PILLION STEP S-880S | 1 | | |
| 6 | 90102-HEB-000 | STEP BAR BOLT | 2 | | |
| 6 | 90102-AGA-000 | STEP BAR BOLT | 2 | 2008/11/3 | N |
| 7 | 90103-HKD-000 | PILLION STEP WASHER A | 2 | | |
| 7 | 90103-HEA-000 | PILLION STEP WASHER A | 2 | | |
| 8 | 90121-M9Q-000 | DISTANCE COLLAR | 1 | | |
| 9 | 95801-08020-08 | FLANGE BOLT | 4 | | |
| 10 | 50629-HEA-000 | STEP RETURN SPRING A | 2 | 2008/11/3 | |
| 11 | 90104-AGA-000 | STEP BAR COLLAR | 2 | 2008/11/3 | |
| 12 | 90105-HEA-000 | PILLION STEP WASHER B | 2 | 2008/11/3 | |
| 13 | 50626-HEA-000 | R. PILLION STEP SPG | 2 | 2008/11/3 | |
| 14 | 50627-HEA-000 | L. PILLION STEP SPG | 2 | 2008/11/3 | |
| 15 | 5071A-HEA-000 | R. STEP PLATE ASSY | 1 | 2008/11/3 | |
| 16 | 5071B-HEA-000 | L.STEP PLATE ASSY | 1 | 2008/11/3 | |

※ Please check the color & stripe information according to the color index !

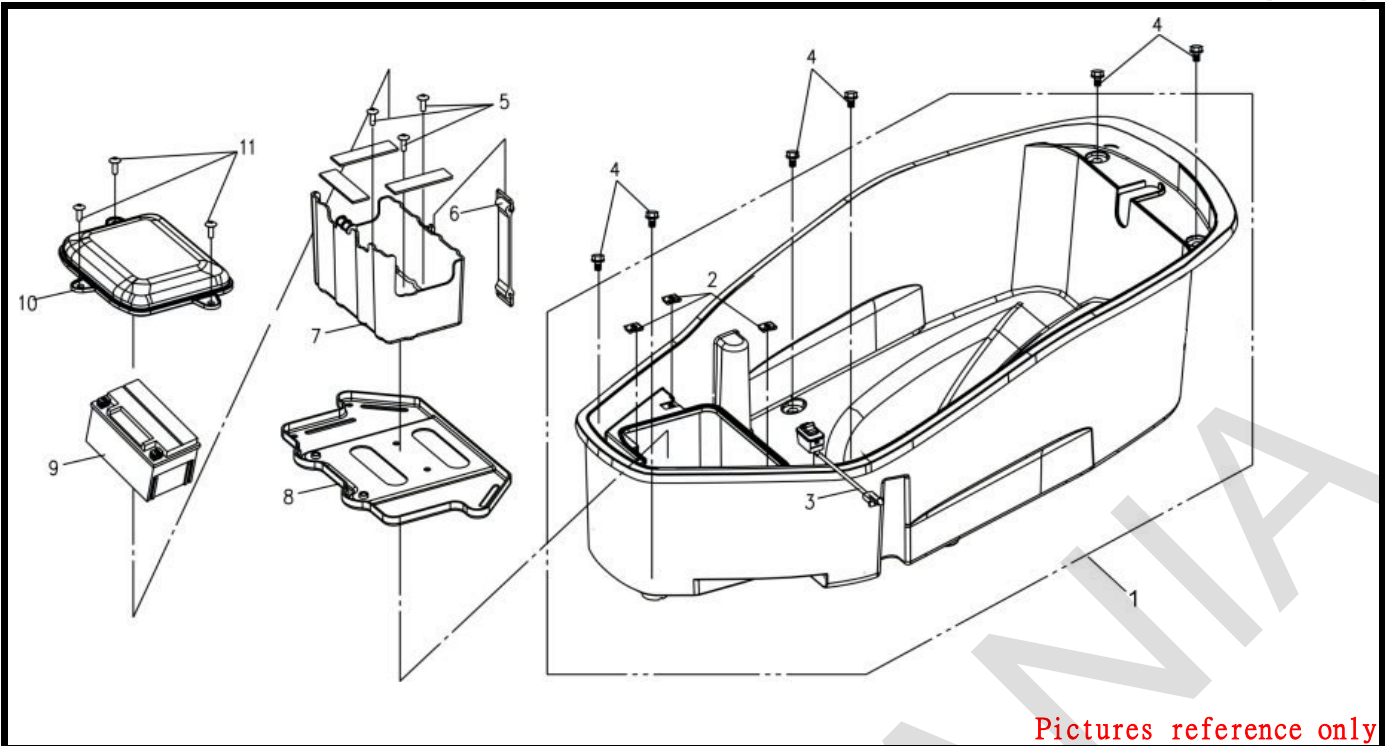
※N/A = SUBSTITUTE

※Y = EXCHANGEABLE

※N =NOT EXCHANGEABLE

F09 LUGGAGE BOX&BATTERY COVER

LH30W-6(LEA)



Pictures reference only

| PARTS NUMBER | DESCRIPTION | QTY | EFFECTIVE DATE |
|------------------|----------------------------|-----|----------------|
| 1 8125A-LEA-000 | LUGGAGE BOX ASSY (BK-001U) | 1 | |
| 2 90308-X04-000 | FLANGE SPECIAL NUT 10MM | 3 | |
| 3 36600-A1A-000 | ENG.START CONTROL SWITCH | 1 | |
| 4 90111-M9Q-800 | FLANGE BOLT 6MM | 6 | |
| 5 93903-25220 | TAPPING SCREW 5X12 | 3 | |
| 6 50324-N2B-000 | BATTERY BAND | 1 | |
| 7 50141-LEA-000 | BATTERY CASE | 1 | |
| 8 50140-LEA-010 | BATTERY TRAY | 1 | |
| 9 1Y01HMB01-Y | BATTERY ASSY | 1 | |
| 10 81256-LEA-000 | BATTERY COVER | 1 | |
| 11 93903-25280 | TAPPING SCREW 5X12 | 3 | |

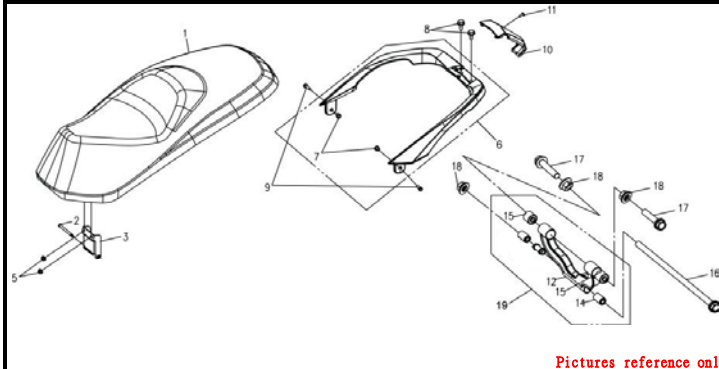
TEAMWORLD IND. 2008.02

※ Please check the color & stripe information according to the color index !

※N/A = SUBSTITUTE

※Y = EXCHANGEABLE

※N =NOT EXCHANGEABLE



Pictures reference only

| PARTS NUMBER | DESCRIPTION | QTY | EFFECTIVE DATE | |
|---------------------------|----------------------------------|-----|----------------|---|
| 1 77100-LEA-000 | DOUBLE SEAT ASSY | 1 | | |
| 1 77100-LEA-100 | DOUBLE SEAT ASSY | 1 | 2010/4/1 | Y |
| 1 77100-LEA-200 | DOUBLE SEAT ASSY | 1 | 2011/7/20 | N |
| 2 90105-HHA-000 | SEAT HINGE SCREW | 1 | | |
| 3 77201-LEA-010 | SEAT HINGE COMP | 1 | | |
| 5 94050-06080 | FLANGE NUT 6MM | 2 | | |
| 6 81200-LEA-000-QZ | RR.CARRIER(S-421S-D) | 1 | | |
| 6 81200-LEA-000-KB | RR.CARRIER BK-001C | 1 | | |
| 6 81200-LEA-000-SO | RR.CARRIER S-421S | 1 | | |
| 7 81204-H6T-000 | RR. GRIP COLLAR | 1 | | |
| 8 95801-08020-08 | FLANGE BOLT | 2 | | |
| 8 93406-08012-00 | WASHER BOLT 8X12 | 2 | 2010/1/4 | N |
| 9 93406-08012-00 | WASHER BOLT 8X12 | 2 | | |
| 9 90107-LEA-000 | FLANGE BOLT 8X12 | 2 | 2010/1/4 | N |
| 10 8375G-LEA-000-JZ | RR.CENTER COVER ASSY(BK-5395S-D) | 1 | | |
| 10-1 87123-TFL-000 | S-LOGO 30MM(POLY) | 1 | | |
| 10-1 87123-LEA-000 | S-LOGO 30MM(PU-AL) | 1 | 2011/8/30 | |
| 10 8375G-LEA-000-FQZ | RR.CENTER COVER ASSY(BU-289S-D) | 1 | | |
| 10-1 87123-TFL-000 | S-LOGO 30MM(POLY) | 1 | | |
| 10-1 87123-LEA-000 | S-LOGO 30MM(PU-AL) | 1 | 2011/8/30 | |
| 10 8375G-LEA-000-FQ | RR.CENTER COVER ASSY BU-289S | 1 | | |
| 10-1 87123-TFL-000 | S-LOGO 30MM(POLY) | 1 | | |
| 10-1 87123-LEA-000 | S-LOGO 30MM(PU-AL) | 1 | 2011/8/30 | |
| 10 8375G-LEA-000-IGZ | RR.CENTER COVER ASSY(GY-419S-D) | 1 | | |
| 10-1 87123-TFL-000 | S-LOGO 30MM(POLY) | 1 | | |
| 10-1 87123-LEA-000 | S-LOGO 30MM(PU-AL) | 1 | 2011/8/30 | |
| 10 8375G-LEA-000-IP | RR CENTER COVER ASSY GY-517S | 1 | | |
| 10-1 87123-TFL-000 | S-LOGO 30MM(POLY) | 1 | | |
| 10-1 87123-LEA-000 | S-LOGO 30MM(PU-AL) | 1 | 2011/8/30 | |
| 10 8375G-LEA-000-IL | RR CENTER COVER ASSY GY-7450U | 1 | | |
| 10-1 87123-TFL-000 | S-LOGO 30MM(POLY) | 1 | | |
| 10-1 87123-LEA-000 | S-LOGO 30MM(PU-AL) | 1 | 2011/8/30 | |
| 10 8375G-LEA-000-QZ | RR.CENTER COVER ASSY(S-421S-D) | 1 | | |
| 10-1 87123-TFL-000 | S-LOGO 30MM(POLY) | 1 | | |
| 10-1 87123-LEA-000 | S-LOGO 30MM(PU-AL) | 1 | 2011/8/30 | |
| 10 8375G-LEA-000-QU | RR.CENTER COVER ASSY WH-300P | 1 | | |
| 10-1 87123-TFL-000 | S-LOGO 30MM(POLY) | 1 | | |
| 10-1 87123-LEA-000 | S-LOGO 30MM(PU-AL) | 1 | 2011/8/30 | |
| 10 8375G-LEA-000-WS | RR CENTER COVER ASSY WH-005PP | 1 | | |
| 10-1 87123-TFL-000 | S-LOGO 30MM(POLY) | 1 | | |
| 10-1 87123-LEA-000 | S-LOGO 30MM(PU-AL) | 1 | 2011/8/30 | |
| 10 8375G-LEA-000-WE | RR CENTER COVER ASSY WH-005C | 1 | | |
| 10-1 87123-TFL-000 | S-LOGO 30MM(POLY) | 1 | | |
| 10-1 87123-LEA-000 | S-LOGO 30MM(PU-AL) | 1 | 2011/8/30 | |
| 10 8375G-LEA-000-KF | RR CENTER COVER ASSY BK-5395S | 1 | | |
| 10-1 87123-TFL-000 | S-LOGO 30MM(POLY) | 1 | | |
| 10-1 87123-LEA-000 | S-LOGO 30MM(PU-AL) | 1 | 2011/8/30 | |
| 10 8375G-LEA-000-IG | RR CENTER COVER ASSY GY-419S | 1 | | |
| 10-1 87123-TFL-000 | S-LOGO 30MM(POLY) | 1 | | |
| 10-1 87123-LEA-000 | S-LOGO 30MM(PU-AL) | 1 | 2011/8/30 | |
| 10 8375G-LEA-000-SO | RR CENTER COVER ASSY S-421S | 1 | | |
| 10-1 87123-TFL-000 | S-LOGO 30MM(POLY) | 1 | | |
| 10-1 87123-LEA-000 | S-LOGO 30MM(PU-AL) | 1 | 2011/8/30 | |
| 10 8375G-LEA-000-JG | RR CENTER COVER ASSY BK-433S | 1 | | |
| 10-1 87123-TFL-000 | S-LOGO 30MM(POLY) | 1 | | |
| 10-1 87123-LEA-000 | S-LOGO 30MM(PU-AL) | 1 | 2011/8/30 | |
| 10 8375G-LEA-000-UT | RR CENTER COVER ASSY BU-7546S | 1 | | |
| 10-1 87123-TFL-000 | S-LOGO 30MM(POLY) | 1 | | |
| 10-1 87123-LEA-000 | S-LOGO 30MM(PU-AL) | 1 | 2011/8/30 | |
| 11 93903-25280 | TAPPING SCREW 5X12 | 1 | | |
| 14 50357-HMA-000 | ENG. HANGER BUSH | 2 | | |
| 15 50353-HHA-000 | SWING LOCK BUSH | 2 | | |
| 16 90105-LEA-000 | FLANGE BOLT 12X290 | 1 | | |
| 17 95801-12080-07 | FLANGE BOLT 12*80 | 2 | | |
| 18 90306-M9Q-000 | SELF LOCK NUT 12MM | 3 | | |
| 19 50350-LEA-000 | ENG. HANGER LINK ASSY. | 1 | | |

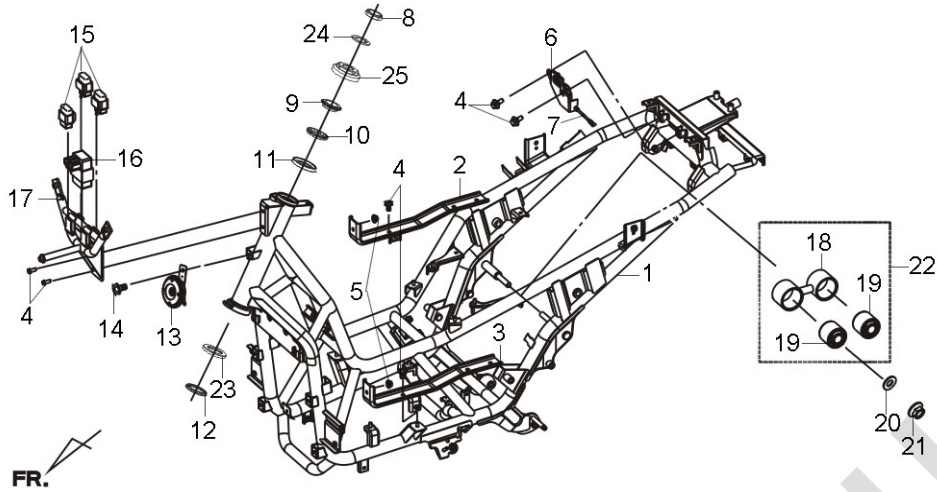
TEAMWORLD IND. 2008.02

※ Please check the color & stripe information according to the color index !

※/A = SUBSTITUTE

※Y = EXCHANGEABLE

※N = NOT EXCHANGEABLE



Pictures reference only

| PARTS NUMBER | DESCRIPTION | QTY | EFFECTIVE DATE | |
|-------------------------|-------------------------------|-----|----------------|---|
| 1 50100-LEA-000 | FRAME BODY COMP(BK-001C) | 1 | | |
| 1 50100-LEA-010 | FRAME BODY COMP(BK-001C) | 1 | 2008/11/3 | N |
| 1 50100-LEA-020 | FRAME BODY COMP(BK-001C) | 1 | 2009/10/20 | Y |
| 1 50100-LEA-100 | FRAME BODY COMP(BK-001C) | 1 | 2011/6/7 | |
| 2 50620-LEA-000 | RH.FLOOR PANEL BRKT | 1 | | |
| 3 50621-LEA-000 | LH.FLOOR PANEL BRKT | 1 | | |
| 4 95801-06012-08 | FLANGE BOLT | 4 | | |
| 5 94050-06080 | FLANGE NUT 6MM | 2 | | |
| 6 77230-LEA-000 | SEAT CATCH ASSY | 1 | | |
| 7 77240-LEA-000 | SEAT LOCK CABLE | 2 | | |
| 8 50306-M9Q-000 | STRG. STEM LOCK NUT | 1 | | |
| 9 53211-HMA-000 | STRG. UP CONE RACE | 1 | | |
| 10 53215-HMA-000 | STEEL BALL UP ASSY. | 1 | | |
| 11 50301-HMA-000 | RACE UP STRG BALL | 1 | | |
| 12 53225-HMA-000 | STEEL BALL LOW ASSY. | 1 | | |
| 13 38110-HMA-000 | HORN COMP | 1 | | |
| 14 95801-08016-08 | FLANGE BOLT 8X16 | 1 | | |
| 15 3850A-HLA-000 | ELEC RELAY ASSY | 3 | | |
| 15 3850A-HLA-010 | ELEC RELAY ASSY | 3 | 2010.11.23 | N |
| 16 33800-VS1-000 | HEAD LIGHT CONTROL UNIT | 1 | | |
| 16 33800-VS1-010 | HEAD LIGHT CONTROL UNIT | 1 | 2013.7.15 | N |
| 17 50315-LEA-000 | FR COVER STAY | 1 | | |
| 18 50381-LEA-000 | TENSION ROD | 2 | | |
| 19 50356-HMA-000 | STOPPER RUBBER BUSH | 4 | | |
| 20 94103-12800 | PLAIN WASHER | 4 | | |
| 21 94050-12080 | FLANGE NUT | 1 | | |
| 22 50380-LEA-000 | TENSION ROD ASSY. | 1 | | |
| 23 50305-LEA-000 | STRG. BOTTOM BALL RACE | 1 | | |
| 24 50308-HMA-000 | STRG STEM WASHER | 1 | | |
| 25 53220-HMA-000 | STEERING HEAD TOP THREAD COMP | 1 | | |

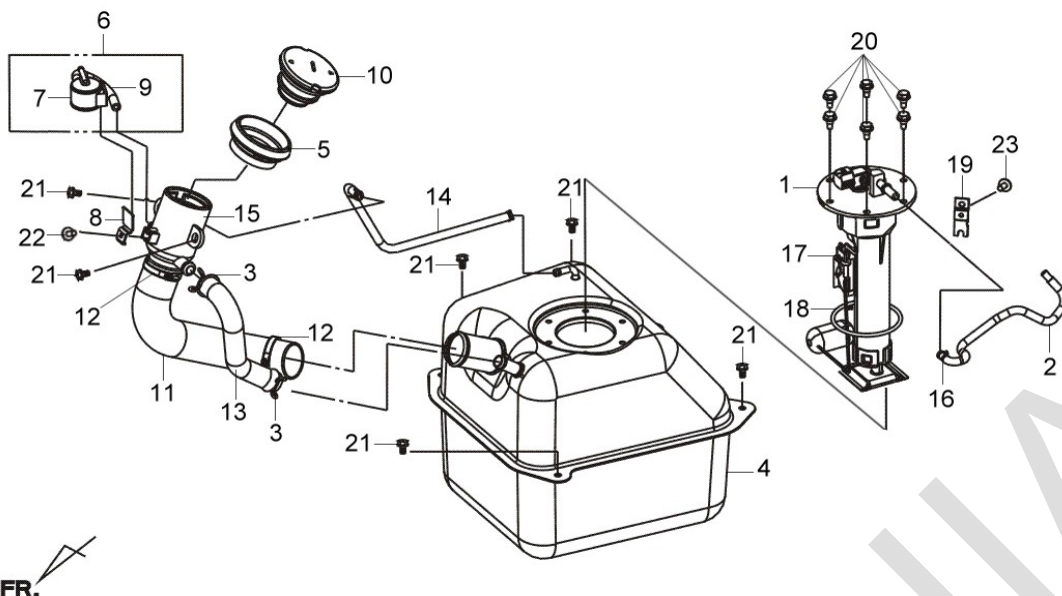
TEAMWORLD IND. 2008.02

※ Please check the color & stripe information according to the color index !

※N/A = SUBSTITUTE

※Y = EXCHANGEABLE

※N =NOT EXCHANGEABLE



Pictures reference only

| PARTS NUMBER | DESCRIPTION | QTY | EFFECTIVE DATE | |
|------------------------|-------------------------|-----|----------------|---|
| 1 1670A-LEA-000 | FUEL PUMP ASSY | 1 | | |
| 1 1670A-LEA-100 | FUEL PUMP ASSY | 1 | 2009/5/14 | Y |
| 1-1 16711-M9Q-000 | FUEL PUMP FILTER SCREEN | 1 | | |
| 1-2 16712-M9Q-000 | PUSH NUT | 1 | | |
| 2 16730-LEA-000 | FUEL TUBE | 2 | | |
| 3 17369-KB4-670 | BREATHER TUBE CLIP | 2 | | |
| 4 17500-LEA-010 | FUEL TANK | 1 | | |
| 5 17509-H12-000 | FUEL TANK CAP RUBBER | 1 | | |
| 6 17580-LEA-000 | FUEL CUT VALVE ASSY | 1 | | |
| 7 17581-HMA-000 | FUEL CUT VALVE(LIYANG) | 1 | | |
| 8 17583-LEA-000 | FCV STAY | 1 | | |
| 9 17585-LEA-000 | TANK-FCV TUBE | 1 | | |
| 10 17620-H6P-000 | FUEL FILLER CAP COMP. | 1 | | |
| 11 17651-LEA-000 | FUEL NECK TUBE | 1 | | |
| 12 17652-TAA-000 | FILTER TUBE CLIP | 2 | | |
| 13 17653-LEA-000 | BREATHER TUBE | 1 | | |
| 14 17654-LEA-000 | BREATHER TUBE B | 1 | | |
| 15 17660-LEA-000 | FILLER PIPE COMP | 1 | | |
| 16 19505-H5D-900 | HOSE CLAMP | 1 | | |
| 17 37800-LEA-000 | FUEL UNIT | 1 | | |
| 18 37801-A5L-000 | FUEL FILTER PACKING | 1 | | |
| 19 37804-LEA-000 | FUEL UNIT STAY | 1 | | |
| 20 90106-LEA-000 | FUEL PUMP BOLT | 6 | | |
| 21 93404-06012-07 | WASHER BOLT 6X12 | 6 | | |
| 22 93903-34320 | TAPPING SCREW 4X12 | 1 | | |
| 23 93903-HGC-000 | TAPPING SCREW | 1 | | |

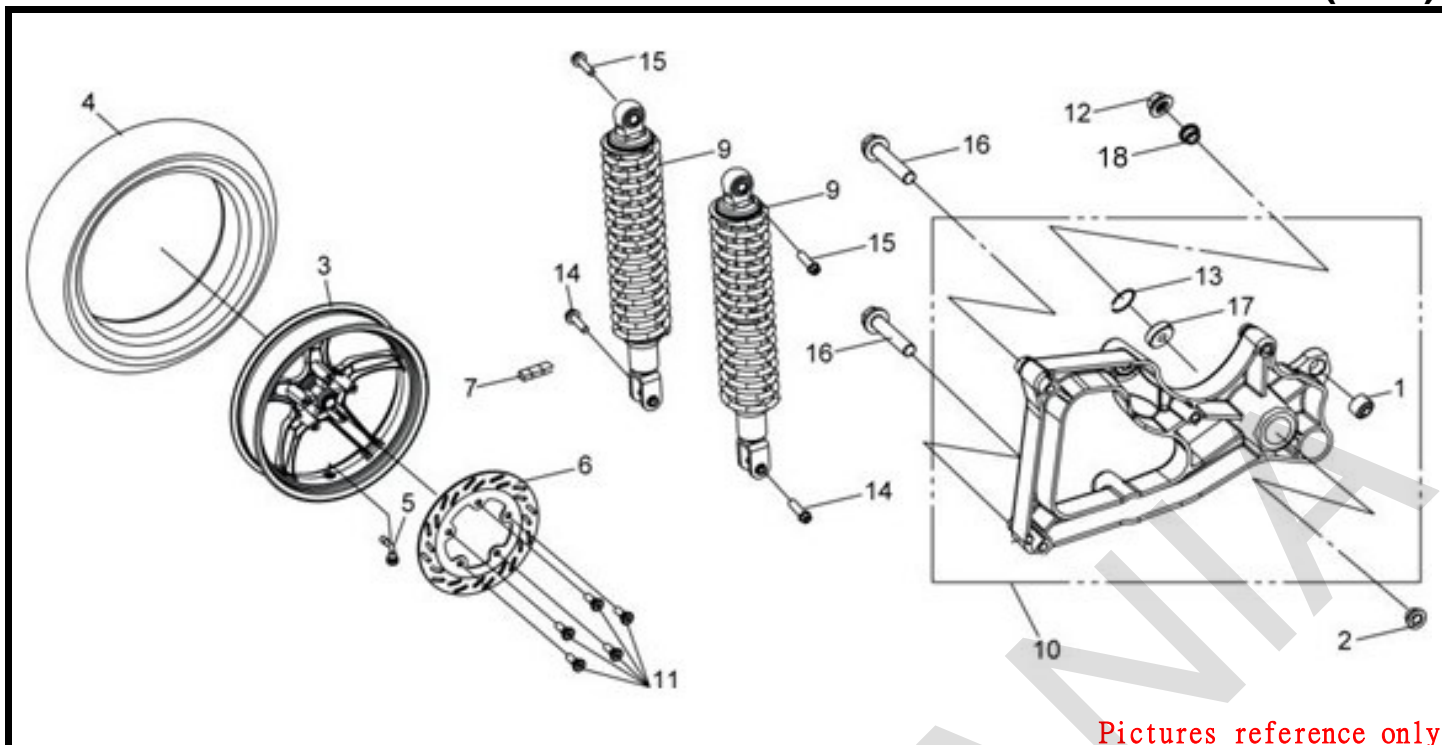
TEAMWORLD IND. 2008.02

※ Please check the color & stripe information according to the color index !

※N/A = SUBSTITUTE

※Y = EXCHANGEABLE

※N =NOT EXCHANGEABLE



Pictures reference only

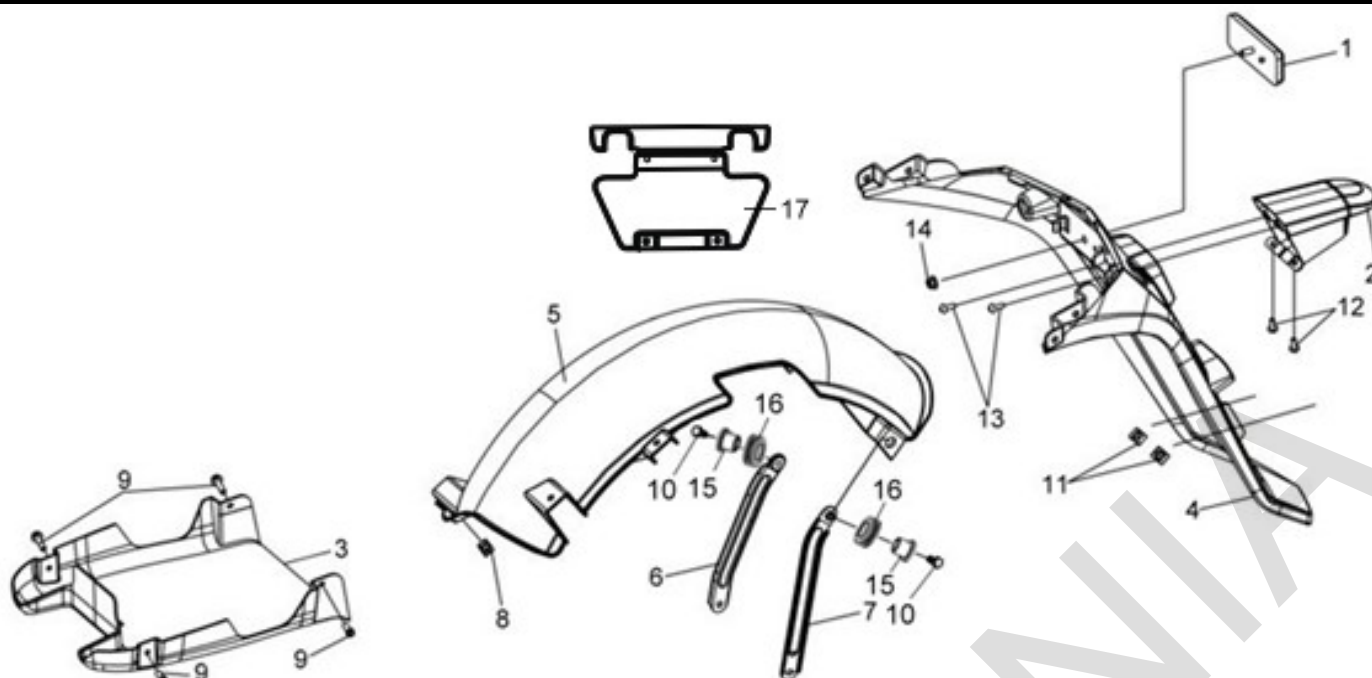
| PARTS NUMBER | DESCRIPTION | QTY | EFFECTIVE DATE |
|-------------------------|----------------------------|-----|----------------|
| 1 11203-M9Q-300 | N/A RR.CUSHION RUBBER BUSH | 1 | |
| 2 42311-H9A-000 | RR. AXLE COLLAR | 1 | 2013/1/14 |
| 3 42601-LEA-000-SO | RR.CAST WHEEL COMP(S-421S) | 1 | |
| 3 42601-LEA-000-KB1 | RR.CAST WHEEL COMP BK-001C | 1 | |
| 4 1T011407016-4PR-6135 | FR. TUBELESS TIRE | 1 | |
| 5 42753-KBN-902 | N/A VALVE RIM | 1 | |
| 6 43121-LEA-000-SO | RR BRAKE DISK(S-421) | 1 | |
| 6 43121-LEA-000-DH | RR BRAKE DISK(GD-111S) | 1 | |
| 7 44720-H9A-000 | BALANCE WEIGHT | 1 | |
| 9 52400-LEA-000-SH | RR. CUSHION ASSY(S-877C) | 2 | |
| 9 52400-LEA-000-KB | RR. CUSHION ASSY BK-001C | 2 | |
| 10 5210A-LEA-000 | RR FORK ASSY | 1 | |
| 11 90105-KR3-000 | FR. DISK BOLT 8X24 | 5 | |
| 12 90305-M9Q-900 | U NUT 16 MM | 1 | |
| 13 94524-47000 | CIR CLIP IN47 | 1 | |
| 14 95801-08035-07 | FLANGE BOLT M8X35 | 2 | |
| 15 95801-10040-08 | FLANGE BOLT 10X40 | 2 | |
| 16 95801-10065-07 | FLANGE BOLT | 2 | |
| 17 96150-63033-10 | RADIAL BALL BEARING 6303U | 1 | |
| 18 42311-H9A-900 | RR. AXLE COLLAR | 1 | 2013/1/14 |

※ Please check the color & stripe information according to the color index !

※N/A = SUBSTITUTE

※Y = EXCHANGEABLE

※N =NOT EXCHANGEABLE



Pictures reference only

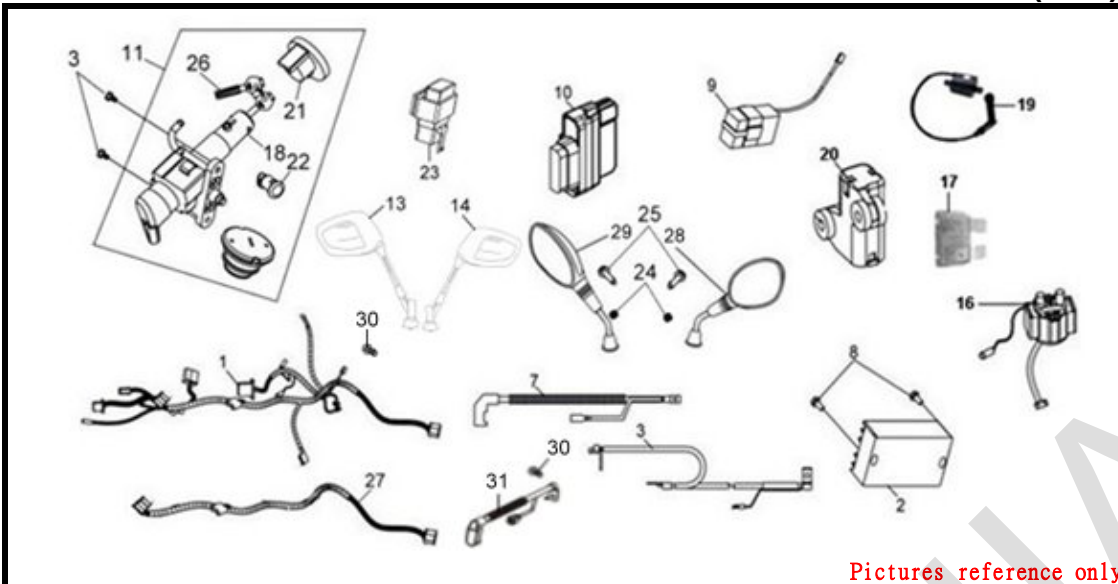
| PARTS NUMBER | DESCRIPTION | QTY | EFFECTIVE DATE | |
|------------------------|------------------------------|-----|----------------|---|
| 1 33741-M9A-000 | RR. REFLECTOR | 1 | | |
| 1 33741-M9A-100 | RR. REFLECTOR | 1 | 2010/8/18 | N |
| 2 33740-LEA-000 | LICENSE LIGHT ASSY | 1 | | |
| 2 33740-LEA-010 | LICENSE LIGHT ASSY | 1 | 2011/4/27 | N |
| 3 50611-LEA-000 | UNDER COVER(BK-001U) | 1 | | |
| 4 80100-LEA-000-KA | RR.FENDER(BK-001U) | 1 | | |
| 5 80106-LEA-000-KA | RR.MUDGUARD(BK-001U) | 1 | | |
| 6 80110-LEA-000 | N/A RH.RR.MUDGUARD BRKT COMP | 1 | | |
| 6 80110-LEA-010 | RH.RR.MUDGUARD BRKT COMP | 1 | 2010/5/17 | N |
| 7 80111-LEA-000 | N/A LH.RR.MUDGUARD BRKT COMP | 1 | | |
| 7 80111-LEA-010 | LH.RR.MUDGUARD BRKT COMP | 1 | 2010/5/17 | N |
| 8 90677-M9Q-000 | N/A CLIP NUT 5MMX0.8 | 1 | | |
| 9 93404-06012-07 | WASHER BOLT 6X12 | 4 | | |
| 10 93894-06012-07 | WASHER SCREW 6X12 | 3 | | |
| 11 90302-V02-000 | NUT SPRING 4MM | 2 | | |
| 12 93903-34380 | TAPPING SCREW 4X12 | 2 | | |
| 13 93903-34480 | TAPPING SCREW 4X16 | 2 | | |
| 14 94050-05080 | FLANGE NUT 5MM | 1 | | |
| 15 80107-LEA-000 | RR.MUDGUARD BRKT.COLLAR | 2 | | |
| 16 80108-LEA-000 | RR.MUDGUARD BRKT.RUBBER | 2 | | |
| 17 80105-LEA-000 | RR.INNER FENDER | 1 | | |

※ Please check the color & stripe information according to the color index !

※N/A = SUBSTITUTE

※Y = EXCHANGEABLE

※N =NOT EXCHANGEABLE



Pictures reference only

| PARTS NUMBER | DESCRIPTION | QTY | EFFECTIVE DATE | |
|-------------------------|---------------------------|-----|----------------|---|
| 1 32100-LEA-010 | WIRE HARNESS | 1 | | |
| 1 32100-LEA-020 | WIRE HARNESS | 1 | 2008/9/15 | N |
| 2 31600-LEA-000 | REG REC ASSY | 1 | | |
| 2 31600-LEA-010 | REG REC ASSY | 1 | 2011/12/8 | N |
| 3 93892-05012-08 | WASHER SCREW 5X12 | 1 | | |
| 7 32411-LEA-000 | BATTERY CABLE | 1 | | |
| 8 95801-06016-08 | FLANGE BOLT 6X16 | 2 | | |
| 9 38800-H5B-000 | ELECTRIC RELAY UNIT | 1 | | |
| 10 38710-LEA-000 | N/A ECU | 1 | | |
| 10-1 64321-A5L-000 | ECU SUSPENSION | 1 | | |
| 11 35010-LEA-000 | KEY SET | 1 | | |
| 13 88120-LEA-000 | LH.BACK MIRROR ASSY(設變前) | 1 | | |
| 14 88110-LEA-000 | RH.BACK MIRROR ASSY(設變前) | 1 | | |
| 16 35860-HMC-000 | START MAG. SET | 1 | | |
| 16 35860-HMC-010 | START MAG. SET | 1 | 2010/10/18 | Y |
| 17 98200-33000 | FUSE 30A/MINI | 2 | | |
| 18 35100-A8D-010 | COMB. SW. & LOCK ASSY | 1 | | |
| 18 35100-A8D-100 | COMB. SW. & LOCK ASSY | 1 | 2010/10/27 | N |
| 19 3051A-LEA-000 | IGN COIL ASSY | 1 | | |
| 20 36100-A5L-000 | ROLL OVER SENSOR ASSY. | 1 | | |
| 20 36100-A5L-100 | ROLL OVER SENSOR ASSY. | 1 | 2009.7.16 | N |
| 21 35110-LEA-000-A01/20 | SHUTTER COMP A | 1 | | |
| 21 35110-LEA-000-B01/20 | SHUTTER COMP B | 1 | | |
| 22 77233-M9Q-000 | INNER BOX LOCK ASS'Y | 1 | | |
| 23 3043A-REA-000 | BATTERY OPEN CONTROL ASSY | 1 | | |
| 24 88112-M9Q-000 | SOCKET CAP BOLT 8MM | 2 | | |
| 25 90185-T31-000 | SOCKET BOLT 8X40 | 2 | | |
| 26 35111-A8D-000-A01/20 | KEY A | 1 | | |
| 26 35111-A8D-000-B01/20 | KEY B | 1 | | |
| 27 32105-LEA-000 | SUB CORD HARNESS | 1 | | |
| 28 88110-LEA-900 | RH.BACK MIRROR ASSY(設變後) | 1 | 2008/11/3 | N |
| 29 88120-LEA-900 | LH.BACK MIRROR ASSY(設變後) | 1 | 2008/11/3 | N |
| 30 90110-FYA-000 | FLANGE BOLT 6X14 | 1 | 2012/4/9 | |
| 31 32415-LEA-000 | EARTH CABLE B | 1 | | |

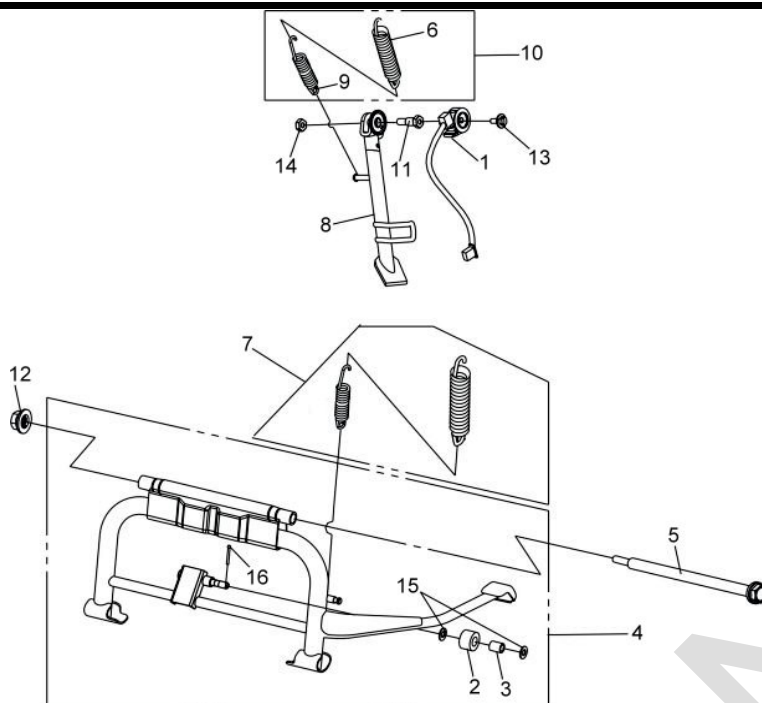
TEAMWORLD IND. 2008.02

※ Please check the color & stripe information according to the color index !

※N/A = SUBSTITUTE

※Y = EXCHANGEABLE

※N =NOT EXCHANGEABLE



Pictures reference only

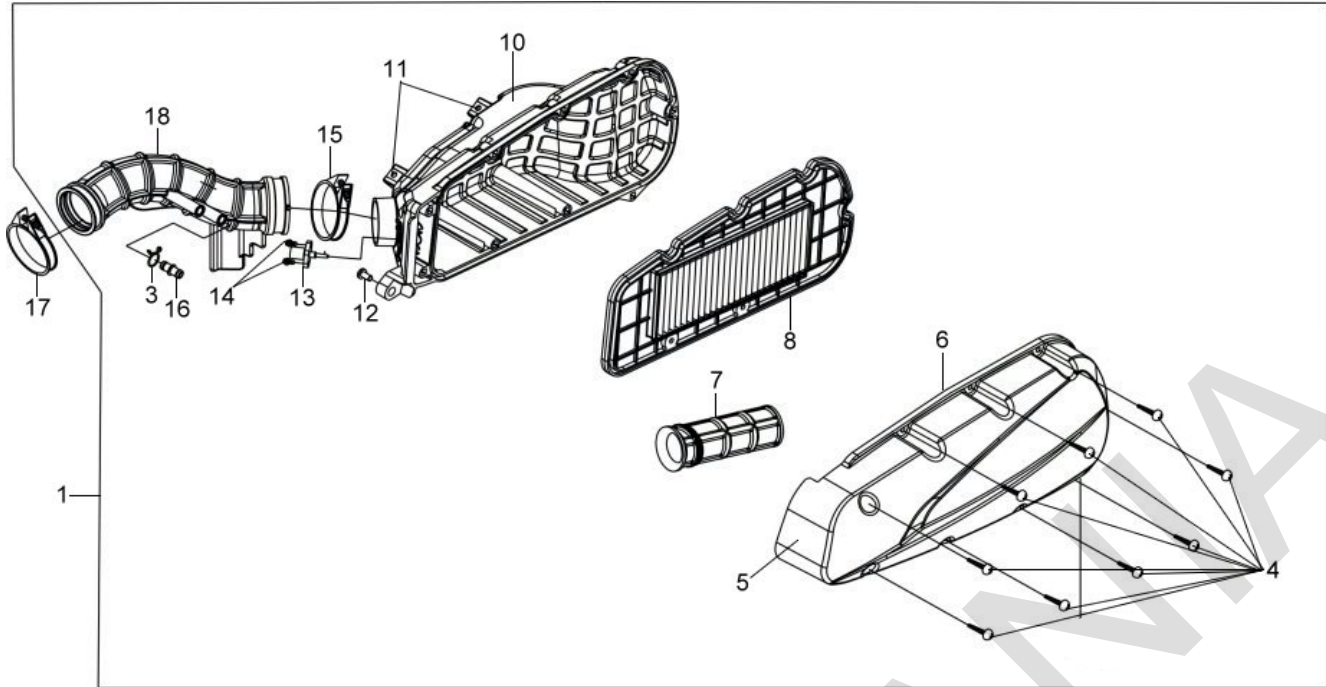
| PARTS NUMBER | DESCRIPTION | QTY | EFFECTIVE DATE |
|-------------------|-------------------------|-----|----------------|
| 1 36500-HMA-000 | SIDE STAND SW COMP | 1 | |
| 2 50505-H3A-000 | STAND STOPPER RUBBER | 1 | |
| 3 50506-H3A-000 | STOP RUBBER COLLAR | 1 | |
| 4 5050A-LEA-000 | MAIN STAND ASSY | 1 | |
| 5 50512-H6B-000 | MAIN STAND PIVOT BOLT | 1 | |
| 6 50522-HUB-900 | SIDE STAND SPRING | 1 | |
| 7 5052A-H9A-000 | MAIN STAND SPG.ASSY | 1 | |
| 8 50530-LEA-000 | SIDE STAND COMP | 1 | |
| 9 50532-HMA-000 | Side Stand Spring B | 1 | |
| 10 5053A-HMA-000 | SIDE STAND SPRING ASSY. | 1 | |
| 11 90108-HMA-000 | SIDE STAND PIVOT SCREW | 1 | |
| 12 90304-M9Q-000 | NUT U FLANGE 10MM | 1 | |
| 13 93404-06016-07 | BOLT WASHER 6X16 | 1 | |
| 14 94002-08080-0S | HEX NUT 8MM | 1 | |
| 15 94102-08800 | PLAIN WASHER 8mm | 1 | |
| 16 94201-25200 | PIN SPLIT 2.5X20 | 1 | |

※ Please check the color & stripe information according to the color index !

※N/A = SUBSTITUTE

※Y = EXCHANGEABLE

※N =NOT EXCHANGEABLE



Pictures reference only

| PARTS NUMBER | DESCRIPTION | QTY | EFFECTIVE DATE |
|-------------------|-----------------------------|-----|----------------|
| 1 17200-LEA-000 | AIR/C ASSY | 1 | |
| 4 93891-05016-07 | WASH SCREW 5X16 | 11 | |
| 5 17231-LEA-000 | AIR/C COVER | 1 | |
| 6 17213-LEA-000 | AIR/C SEAL | 1 | |
| 7 17255-LEA-000 | AIR/C INLET DUCT | 1 | |
| 8 17211-LEA-000 | AIR/C ELEMENT COMP | 1 | |
| 10 17230-LEA-000 | AIR/C CASE COMP | 1 | |
| 11 90677-M9Q-000 | N/A CLIP NUT 5MMX0.8 | 1 | |
| 12 17208-HMA-000 | AIR/C SET COLLAR | 1 | |
| 13 37830-HMC-000 | AIR TEMP SENSOR | 1 | |
| 14 93891-05016-07 | WASH SCREW 5X16 | 1 | |
| 15 90652-RB1-000 | AIR/C CONN. TUBE BAND 58 | 1 | |
| 16 17359-M9Q-000 | BREATHER TUBE JOINT | 1 | |
| 17 90652-RB1-000 | AIR/C CONN.TUBE BAND 48 | 1 | |
| 18 17253-LEA-000 | AIR CLEANER CONNECTING TUBE | 1 | |

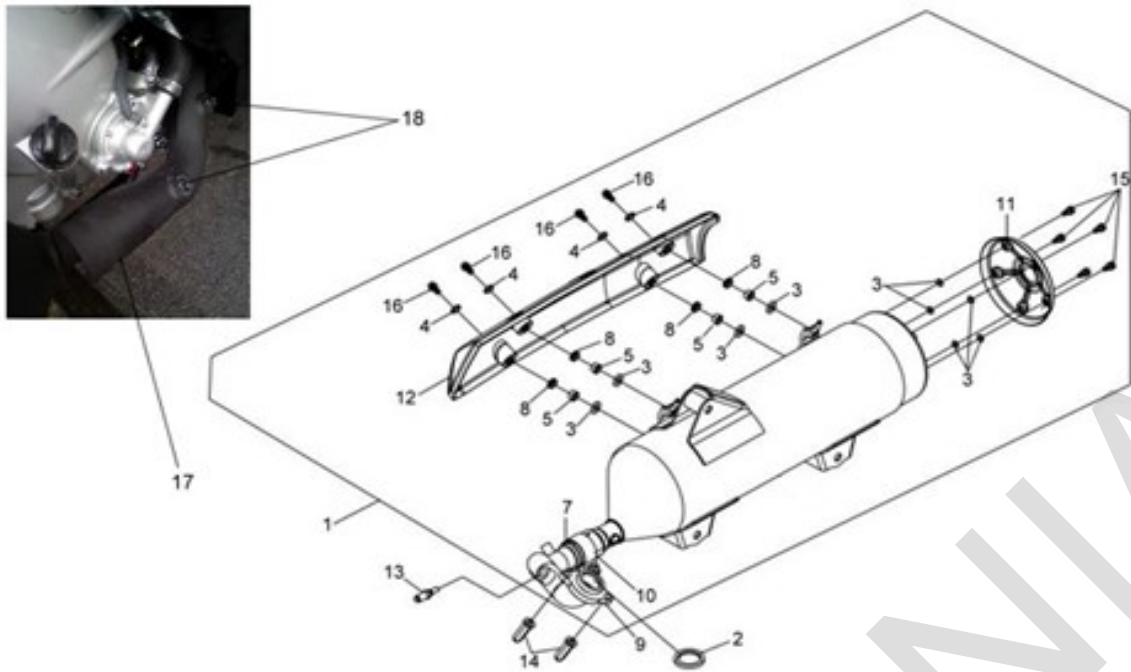
※ Please check the color & stripe information according to the color index !

※N/A = SUBSTITUTE

※Y = EXCHANGEABLE

※N = NOT EXCHANGEABLE

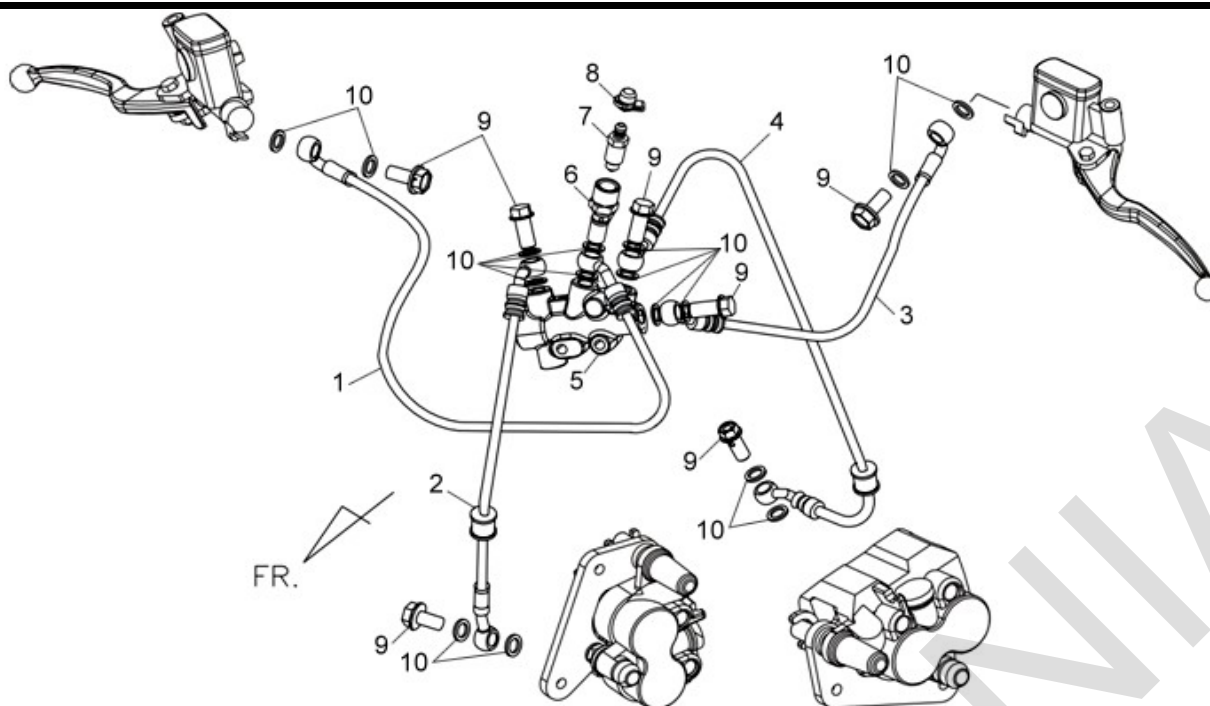
MOTOMANIA



Pictures reference only

| PARTS NUMBER | DESCRIPTION | QTY | EFFECTIVE DATE |
|--------------------|-----------------------------------|-----|----------------|
| 1 18000-LEB-000 | EXH. MUFFLER ASSY(CATALYST) | 1 | |
| 1 18000-LEB-000-Y | EX.MUFFLER ASSY(PROTECTOR=YR-176) | 1 | |
| 2 18291-H9A-000 | EXHAUST PIPE GASKET | 1 | |
| 3 18292-F3E-000 | PROTECTOR PACKING A | 8 | |
| 4 18293-F3E-000 | PROTECTOR PACKING | 4 | |
| 5 18295-F3E-000 | COLLAR M6 | 4 | |
| 7 18319-HMA-300 | MUFFLER GASKET | 1 | |
| 8 18320-F3E-000 | PROTECTOR RUBBER | 4 | |
| 9 18320-LEB-300 | EXH. PIPE COMP. | 1 | |
| 10 18321-HMA-000 | MUFFLER BAND 37MM | 1 | |
| 11 18328-HMA-000 | MUFFLER RR. PROTECTOR COMP. | 1 | |
| 12 18318-LEB-300 | MUFFLER PROTECTOR | 1 | |
| 12 18318-LEB-300-Y | MUFFLER PROTECTOR YR-176 | 1 | |
| 13 37890-A5L-000 | O2 SENSOR | 1 | |
| 14 90043-HMA-000 | CAP NUT | 2 | |
| 15 90111-H3A-000 | N/A SPECIAL SCREW 5mm | 5 | |
| 16 93401-06022-07 | WASHER BOLT 6X22 | 4 | |
| 17 18241-HMA-020 | EXH. PIPE PROTECTOR | 1 | |
| 18 90103-V02-100 | FLANGE SH BOLT SET 6X12 | 2 | |

※ Please check the color & stripe information according to the color index !
 ※N/A = SUBSTITUTE ※Y = EXCHANGEABLE ※N =NOT EXCHANGEABLE



Pictures reference only

| PARTS NUMBER | DESCRIPTION | QTY | EFFECTIVE DATE |
|------------------|------------------------|-----|----------------|
| 1 43124-LEA-000 | RR.BRAKE HOSE A COMP | 1 | |
| 2 43125-LEA-000 | RR.BRAKE HOSE B COMP | 1 | |
| 3 45124-LEA-000 | FR.BRAKE HOSE A COMP | 1 | |
| 4 45125-LEA-000 | FR.BRAKE HOSE B COMP | 1 | |
| 5 46300-LEA-000 | CBS CONTROL VALVE ASSY | 1 | |
| 6 46301-HMA-000 | T-SCREW | 1 | |
| 7 46302-HMA-000 | BLEEDER SCREW | 1 | |
| 8 46303-HMA-000 | BLEEDER SCREW CAP | 1 | |
| 9 90145-M9Q-000 | OIL BOLT 10X22 | 7 | |
| 10 90545-M9Q-000 | OIL BOLT WASHER | 16 | |

※ Please check the color & stripe information according to the color index !

※N/A = SUBSTITUTE

※Y = EXCHANGEABLE

※N =NOT EXCHANGEABLE

| PARTS NO. | NO. | PARTS NO. | NO. | PARTS NO. | NO. |
|----------------------|-----|----------------------|-----|----------------------|-----|
| 6000 | | 1220A-LEA-000 | E02 | 14751-HMA-000 | E02 |
| 06414-HMC-000 | E02 | 12251-LEA-000 | E03 | 14761-HMA-000 | E02 |
| 06415-A5L-000 | E02 | 12301-HMA-000 | E01 | 14771-M8Q-000 | E02 |
| 06416-A5L-000 | E02 | 1230A-LEA-000 | E01 | 14777-KN7-670 | E02 |
| 11000 | | 1231A-HMA-000 | E04 | 14781-M9Q-000-A | E02 |
| 11100-LEA-000 | E06 | 12342-X01-000 | E02 | 15000 | |
| 11100-LEA-010 | E06 | 12342-X01-000 | E02 | 15100-HMA-000 | E13 |
| 11102-HMA-300 | E06 | 12342-X01-000 | E07 | 15126-B8A-000 | E13 |
| 11106-B04-010 | E11 | 12361-M9Q-000 | E07 | 15132-HMA-000 | E13 |
| 11107-HMA-000 | E06 | 1236A-V02-000 | E07 | 15133-HMA-000 | E13 |
| 11120-LEA-000 | E06 | 12391-HMA-000 | E01 | 15421-B9D-000 | E07 |
| 11120-LEA-000 | E08 | 13000 | | 15421-H66-000 | E07 |
| 11133-A1A-300 | E08 | 13000-LEA-000 | E12 | 15421-M9Q-000 | E07 |
| 11191-LEA-000 | E06 | 13010-LEA-000 | E03 | 15426-M9Q-000 | E07 |
| 11191-LEA-010 | E06 | 13101-LEA-000 | E03 | 1565A-LEA-000 | E07 |
| 11200-LEA-000 | E08 | 13111-HMA-000 | E12 | 15711-HML-000 | E13 |
| 11200-LEA-010 | E08 | 13201-LEA-000 | E12 | 15713-HMC-000 | E05 |
| 11203-M9Q-300 | E08 | 13371-HMA-300 | E12 | 15713-HMC-010 | E05 |
| 11203-M9Q-300 | F13 | 13381-HMA-300 | E12 | 15772-500-013 | E15 |
| 11211-LEA-010 | E15 | 14000 | | 15772-B06-000 | E11 |
| 1122A-LEA-000 | E11 | 14100-HML-000 | E02 | 16000 | |
| 11330-LEA-000 | E07 | 14105-RFA-000 | E04 | 16201-HMC-000 | E02 |
| 11344-HMA-000 | E14 | 14105-X01-000 | E04 | 1621A-HMC-000 | E02 |
| 11346-HMA-000 | E14 | 14108-M36-000 | E04 | 16401-HML-000 | E02 |
| 1134A-LEA-000 | E14 | 14151-RFA-000 | E06 | 1670A-LEA-000 | F12 |
| 11351-LEA-000 | E14 | 1443A-LEA-000 | E02 | 1670A-LEA-100 | F12 |
| 11352-LEA-000 | E14 | 1444A-LEA-000 | E02 | 16711-M9Q-000 | F12 |
| 11353-HMA-000 | E14 | 14451-HMA-000 | E02 | 16712-M9Q-000 | F12 |
| 1135A-LEA-000 | E14 | 14457-HMA-000 | E02 | 16730-LEA-000 | F12 |
| 11371-HMA-000 | E14 | 14510-RFA-000 | E03 | 17000 | |
| 11371-HMA-000 | E14 | 14520-H6T-000 | E03 | 1711A-HMC-000 | E02 |
| 1137A-HMA-000 | E14 | 14522-H6T-000 | E03 | 17120-HMC-000 | E02 |
| 11394-HMA-000 | E07 | 14523-M9Q-000 | E03 | 17200-LEA-000 | F17 |
| 11395-LEA-000 | E14 | 14524-H6T-000 | E03 | 17208-HMA-000 | F17 |
| 12000 | | 14525-H6T-000 | E03 | 17211-LEA-000 | F17 |
| 12100-LEA-000 | E03 | 14531-KJ9-000 | E03 | 17213-LEA-000 | F17 |
| 12100-LEA-000-A | E03 | 14610-RFA-000 | E03 | 17221-LEA-000 | E14 |
| 12191-HMA-000 | E03 | 14711-HMA-000 | E02 | 17230-LEA-000 | F17 |
| 12200-LEA-000 | E02 | 14721-HMA-000 | E02 | 17231-LEA-000 | F17 |
| 12209-H6B-900 | E02 | 14721-RFS-000 | E02 | 17253-LEA-000 | F17 |

| PARTS NO. | NO. | PARTS NO. | NO. | PARTS NO. | NO. |
|-----------------|-----|-----------------|-----|-----------------|-----|
| 17255-LEA-000 | F17 | 18318-LEB-300 | F18 | 19505-LEA-000 | F03 |
| 17359-M9Q-000 | F17 | 18318-LEB-300-Y | F18 | 19505-LEA-900 | F03 |
| 17369-KB4-670 | E15 | 18319-HMA-300 | F18 | 19505-M8Q-000 | F03 |
| 17369-KB4-670 | F12 | 18320-F3E-000 | F18 | 19505-REA-000 | F03 |
| 17370-M9Q-000 | E15 | 18320-LEB-300 | F18 | 19507-LEA-000 | F03 |
| 17371-M9Q-000 | E15 | 18321-HMA-000 | F18 | 19507-LEA-020 | F03 |
| 17380-H6A-000 | E15 | 18328-HMA-000 | F18 | 19507-LEA-900 | F03 |
| 17385-H6A-000 | E15 | 18610-HKA-000 | E01 | 1950A-LEA-000 | E07 |
| 1738A-LEA-000 | E15 | 18647-HMA-000 | E01 | 1951A-HMA-000 | E02 |
| 17500-LEA-010 | F12 | 18654-N14-000 | E01 | 19604-H01-000 | E07 |
| 17509-H12-000 | F12 | 18659-HMA-000 | E15 | 21000 | |
| 17562-LEA-000 | E15 | 18811-N14-000 | E15 | 21200-LEA-000 | E11 |
| 17570-HMC-000 | E15 | 19000 | | 21395-LEA-000 | E11 |
| 17571-LEA-000 | E15 | 19000-HMA-000 | F03 | 22000 | |
| 17574-LEA-000 | E15 | 19000-LEA-000 | F03 | 22000-RB1-000 | E09 |
| 17576-LEA-010 | E15 | 19000-LEA-900 | F03 | 22101-HMA-000 | E10 |
| 1757A-LEA-000 | E15 | 19010-HMA-000 | F03 | 22102-HMA-000 | E09 |
| 17580-LEA-000 | F12 | 19010-LEA-000 | F03 | 22105-HMA-000 | E09 |
| 17581-HMA-000 | F12 | 19010-LEA-900 | F03 | 22110-HMA-000 | E09 |
| 17583-LEA-000 | F12 | 19015-HMA-000 | F05 | 22121-RB1-001-A | E09 |
| 17585-LEA-000 | F12 | 19020-HMA-000 | F03 | 22131-HMA-000 | E09 |
| 17590-HMC-000 | E15 | 19101-LEA-000 | F05 | 22132-HMA-000-A | E09 |
| 17591-HMC-000 | F01 | 19102-LEA-000 | F05 | 22300-HMB-000 | E10 |
| 17592-HMC-000 | F01 | 1910A-LEA-000 | F05 | 22300-L3D-000 | E10 |
| 17620-H6P-000 | F12 | 19215-HLA-000 | E07 | 22350-HMA-000 | E10 |
| 17651-LEA-000 | F12 | 19217-H9A-300 | E07 | 22361-HMA-000 | E10 |
| 17652-TAA-000 | F12 | 19229-H9A-000 | E07 | 22401-HMA-000 | E10 |
| 17653-LEA-000 | F12 | 1922A-HMA-000 | E07 | 22530-HMB-000-A | E10 |
| 17654-LEA-000 | F12 | 1922A-LEA-000 | E07 | 22804-HMA-000 | E10 |
| 17660-LEA-000 | F12 | 19231-HMA-000 | E07 | 23000 | |
| 17910-HMA-000 | F02 | 19300-HMA-000 | E02 | 23010-HMB-000 | E10 |
| 17920-HMA-000 | F02 | 19315-KJ9-000 | E02 | 23010-L2A-000 | E10 |
| 18000 | | 19315-LEA-000 | E02 | 23200-HMA-000 | E10 |
| 18000-LEB-000 | F18 | 19501-LEA-000 | F03 | 23210-HMA-000 | E10 |
| 18000-LEB-000-Y | F18 | 19501-LEA-900 | F03 | 23220-HMA-000 | E10 |
| 18241-HMA-020 | F18 | 19503-LEA-000 | F03 | 23225-HMA-000 | E10 |
| 18291-H9A-000 | F18 | 19503-LEA-010 | F03 | 23226-HMA-000 | E10 |
| 18292-F3E-000 | F18 | 19505-H5D-900 | F12 | 23233-HMA-000 | E10 |
| 18293-F3E-000 | F18 | 19505-KS6-700 | E07 | 23237-HMA-000 | E10 |
| 18295-F3E-000 | F18 | 19505-KS6-700 | F03 | 23238-HMA-000 | E10 |

| PARTS NO. | NO. | PARTS NO. | NO. | PARTS NO. | NO. |
|----------------------|-------|----------------------|-------|-------------------------|-------|
| 23411-LEA-000 | E11 | 33740-LEA-010 | F14 | 37760-HMA-000 | F03 |
| 23420-LEA-000 | E11 | 33741-M9A-000 | F14 | 37800-LEA-000 | F12 |
| 23421-LEA-300 | E11 | 33741-M9A-100 | F14 | 37801-A5L-000 | F12 |
| 23422-HMA-300 | E11 | 33800-VS1-000 | F11 | 37804-LEA-000 | F12 |
| 23431-LEA-020 | E11 | 33800-VS1-010 | F11 | 37830-HMC-000 | F17 |
| 23432-LEA-010 | E11 | 34000 | | 37880-HMC-000 | E02 |
| 2343A-LEA-010 | E11 | 34901-LEA-000 | F04 | 37890-A5L-000 | F18 |
| 28000 | | 34905-HMA-000 | F04 | 38000 | |
| 28101-RB1-000 | E06 | 34905-RCA-000 | F07-1 | 38110-HMA-000 | F11 |
| 28102-RB1-000 | E06 | 34906-LEA-000 | F07-1 | 38301-RFA-000 | F02 |
| 28103-RB1-000 | E06 | 34908-LEA-000 | F04 | 3850A-HLA-000 | F11 |
| 28105-HMA-300 | E06 | 35000 | | 3850A-HLA-010 | F11 |
| 28110-HMA-000 | E05 | 35010-LEA-000 | F15 | 38600-RA1-000 | F05 |
| 2812A-HMA-000 | E05 | 35100-A8D-010 | F15 | 38710-LEA-000 | F15 |
| 28322-M9Q-300 | F08 | 35100-A8D-100 | F15 | 38800-H5B-000 | F15 |
| 30000 | | 35110-LEA-000-A01/20 | F15 | 42000 | |
| 3043A-REA-000 | F15 | 35110-LEA-000-B01/20 | F15 | 42311-H9A-000 | F13 |
| 3051A-LEA-000 | F15 | 35111-A8D-000-A01/20 | F15 | 42311-H9A-900 | F13 |
| 31000 | | 35111-A8D-000-B01/20 | F15 | 42601-LEA-000-KB1 | F13 |
| 3110A-HMC-000 | E05 | 35150-HEB-000 | F01 | 42601-LEA-000-SO | F13 |
| 31110-HMC-000 | E05 | 35160-LEA-000 | F01 | 42753-KBN-902 | F06 |
| 31120-HMC-000 | E05 | 35170-HEB-000 | F01 | 42753-KBN-902 | F13 |
| 31200-HMA-000 | E06 | 35180-LEA-000 | F01 | 43000 | |
| 31200-HMA-100 | E06 | 35200-M9Q-000 | F01 | 43100-LEA-000-RY | F02 |
| 31600-LEA-000 | F15 | 35342-A3B-000 | F02 | 43100-LEA-000-SO | F02 |
| 31600-LEA-010 | F15 | 35342-A3B-000 | F02 | 43100-LEA-010-RY | F02 |
| 32000 | | 35350-LEA-000 | F02 | 43100-LEA-010-SO | F02 |
| 32100-LEA-010 | F15 | 35860-HMC-000 | F15 | 43121-LEA-000-DH | F13 |
| 32100-LEA-020 | F15 | 35860-HMC-010 | F15 | 43121-LEA-000-SO | F13 |
| 32102-HMA-000 | F05 | 36000 | | 43124-LEA-000 | F19 |
| 32105-LEA-000 | F15 | 36100-A5L-000 | F15 | 43125-LEA-000 | F19 |
| 32106-H9A-000 | F02 | 36100-A5L-100 | F15 | 43126-LEA-000 | F02 |
| 32120-HMA-000 | F05 | 36150-LEA-000 | F01 | 43500-LEA-000 | F02 |
| 32411-LEA-000 | F15 | 36500-HMA-000 | F16 | 43502-LEA-000 | F02 |
| 32415-LEA-000 | F15 | 36600-A1A-000 | F09 | 44000 | |
| 33000 | | 37000 | | 44301-LEA-000 | F06-1 |
| 33100-LEA-000 | F04 | 37200-LEA-000 | F01 | 44311-LEA-000 | F06-1 |
| 33130-LEA-000 | F04 | 37211-LEA-000 | F01 | 44601-LEA-000-KB1 | F06 |
| 33700-LEA-000 | F07-1 | 37224-LEA-000 | F01 | 44601-LEA-000-SO | F06 |
| 33740-LEA-000 | F14 | 37750-PC1-004 | E02 | 44620-LEA-000 | F06 |

| PARTS NO. | NO. | PARTS NO. | NO. | PARTS NO. | NO. |
|-------------------------|-------|----------------------|-------|-------------------|-------|
| 44720-H9A-000 | F06 | 50505-H3A-000 | F16 | 53106-N02-000 | F02 |
| 44720-H9A-000 | F13 | 50506-H3A-000 | F16 | 53140-HMA-900 | F02 |
| 44800-HMB-000 | F06-1 | 5050A-LEA-000 | F16 | 53166-H85-000 | F02 |
| 44800-LEA-000 | F06-1 | 50512-H6B-000 | F16 | 53167-LEA-000 | F02 |
| 45000 | | 50522-HUB-900 | F16 | 53168-LEA-000 | F02 |
| 45100-LEA-000-RY | F02 | 5052A-H9A-000 | F16 | 53175-LEA-000 | F02 |
| 45100-LEA-000-SO | F02 | 50530-LEA-000 | F16 | 53175-LEA-000 | F02 |
| 45100-LEA-010-RY | F02 | 50532-HMA-000 | F16 | 53178-LEA-000 | F02 |
| 45100-LEA-010-SO | F02 | 5053A-HMA-000 | F16 | 53200-LEA-000 | F06 |
| 45105-LEA-010-A | F02 | 50611-LEA-000 | F14 | 53205-LEA-000-KA | F01 |
| 45121-LEA-000-DH | F06 | 50612-F02-010-KA | F04-1 | 53206-LEA-000-KA | F01 |
| 45121-LEA-000-SO | F06 | 50613-LEA-000 | F08 | 53207-LEA-000-FQ | F01 |
| 45124-LEA-000 | F19 | 50614-LEA-000 | F08 | 53207-LEA-000-FQZ | F01 |
| 45125-LEA-000 | F19 | 50620-LEA-000 | F11 | 53207-LEA-000-IG | F01 |
| 45126-LEA-000 | F02 | 50621-LEA-000 | F11 | 53207-LEA-000-IGZ | F01 |
| 45500-LEA-000 | F02 | 50626-HEA-000 | F08 | 53207-LEA-000-IL | F01 |
| 46000 | | 50627-HEA-000 | F08 | 53207-LEA-000-IP | F01 |
| 46300-LEA-000 | F19 | 50629-HEA-000 | F08 | 53207-LEA-000-JG | F01 |
| 46301-HMA-000 | F19 | 50717-HEA-000 | F08 | 53207-LEA-000-JZ | F01 |
| 46302-HMA-000 | F19 | 50717-HEB-000 | F08 | 53207-LEA-000-KF | F01 |
| 46303-HMA-000 | F19 | 50718-HEA-000 | F08 | 53207-LEA-000-QU | F01 |
| 50000 | | 50718-HEB-000 | F08 | 53207-LEA-000-QZ | F01 |
| 50100-LEA-000 | F11 | 5071A-HEA-000 | F08 | 53207-LEA-000-SO | F01 |
| 50100-LEA-010 | F11 | 5071B-HEA-000 | F08 | 53207-LEA-000-UT | F01 |
| 50100-LEA-020 | F11 | 51000 | | 53207-LEA-000-WE | F01 |
| 50100-LEA-100 | F11 | 51400-LEA-000-GB | F06 | 53207-LEA-000-WS | F01 |
| 50140-LEA-010 | F09 | 51400-LEA-000-KB | F06 | 53211-HMA-000 | F11 |
| 50141-LEA-000 | F09 | 51400-LEA-000-SO | F06 | 53212-LEA-000 | F06 |
| 50301-HMA-000 | F11 | 51410-LEA-000 | F06 | 53214-HMA-000 | F06 |
| 50305-LEA-000 | F11 | 51410-LEA-000 | F06 | 53215-HHA-000 | F06-1 |
| 50306-M9Q-000 | F11 | 51500-LEA-000-GB | F06 | 53215-HMA-000 | F11 |
| 50308-HMA-000 | F11 | 51500-LEA-000-KB | F06 | 53220-HMA-000 | F11 |
| 50315-LEA-000 | F11 | 51500-LEA-000-SO | F06 | 53225-HMA-000 | F11 |
| 50324-N2B-000 | F09 | 52000 | | 61000 | |
| 50350-LEA-000 | F10 | 5210A-LEA-000 | F13 | 61100-LEA-000-FQ | F06-1 |
| 50353-HHA-000 | F10 | 52400-LEA-000-KB | F13 | 61100-LEA-000-FQZ | F06-1 |
| 50356-HMA-000 | F11 | 52400-LEA-000-SH | F13 | 61100-LEA-000-IG | F06-1 |
| 50357-HMA-000 | F10 | 53000 | | 61100-LEA-000-IGZ | F06-1 |
| 50380-LEA-000 | F11 | 53100-LEA-000 | F02 | 61100-LEA-000-IL | F06-1 |
| 50381-LEA-000 | F11 | 53104-N02-000 | F02 | 61100-LEA-000-IP | F06-1 |

| PARTS NO. | NO. | PARTS NO. | NO. | PARTS NO. | NO. |
|--------------------------|-------|-------------------------|-------|-------------------------|-------|
| 61100-LEA-000-JG | F06-1 | 64301-LEA-000-QU | F04 | 80110-LEA-010 | F14 |
| 61100-LEA-000-JZ | F06-1 | 64301-LEA-000-QZ | F04 | 80111-LEA-000 | F14 |
| 61100-LEA-000-KF | F06-1 | 64301-LEA-000-SO | F04 | 80111-LEA-010 | F14 |
| 61100-LEA-000-QU | F06-1 | 64301-LEA-000-UT | F04 | 81000 | |
| 61100-LEA-000-QZ | F06-1 | 64301-LEA-000-WE | F04 | 81131-LEA-000-KA | F05 |
| 61100-LEA-000-SO | F06-1 | 64301-LEA-000-WS | F04 | 81131-LEA-010-KA | F05 |
| 61100-LEA-000-UT | F06-1 | 64303-HEG-000 | F04 | 81132-H6T-000-KA | F05 |
| 61100-LEA-000-WE | F06-1 | 64306-HEB-000 | F04 | 81141-LEA-000 | F05 |
| 61100-LEA-000-WS | F06-1 | 6430G-LEA-000-KB | F04 | 81142-LEA-000 | F05 |
| 61110-LEA-000-KA | F06-1 | 64310-LEA-000-KA | F04 | 81143-LEA-000 | F05 |
| 64000 | | 64310-LEA-010-KA | F04 | 81146-LEA-000 | F05 |
| 64300-LEA-000-FQZ | F04 | 64313-LEA-000-KB | F07 | 81152-LEA-000 | F05 |
| 64300-LEA-000-IGZ | F04 | 64313-LEA-000-QZ | F07 | 81200-LEA-000-KB | F10 |
| 64300-LEA-000-JZ | F04 | 64313-LEA-000-SO | F07 | 81200-LEA-000-QZ | F10 |
| 64300-LEA-000-QU | F04 | 64314-LEA-000-KB | F07 | 81200-LEA-000-SO | F10 |
| 64300-LEA-000-QZ | F04 | 64314-LEA-000-QZ | F07 | 81204-H6T-000 | F10 |
| 64300-LEA-010-FQ | F04 | 64314-LEA-000-SO | F07 | 81256-LEA-000 | F09 |
| 64300-LEA-010-FQZ | F04 | 64318-H6B-010-KA | F05 | 8125A-LEA-000 | F09 |
| 64300-LEA-010-IG | F04 | 64321-A5L-000 | F15 | 83000 | |
| 64300-LEA-010-IGZ | F04 | 67000 | | 83500-LEA-000-WE | F07 |
| 64300-LEA-010-IL | F04 | 67100-LEA-010 | F01 | 8350G-LEA-000-FQ | F07 |
| 64300-LEA-010-IP | F04 | 67110-LEA-000 | F01 | 8350G-LEA-000-FQZ | F07 |
| 64300-LEA-010-JG | F04 | 67111-LEA-000 | F01 | 8350G-LEA-000-IG | F07 |
| 64300-LEA-010-JZ | F04 | 6711A-LEA-000-KB | F01 | 8350G-LEA-000-IGZ | F07 |
| 64300-LEA-010-KF | F04 | 77000 | | 8350G-LEA-000-IL | F07 |
| 64300-LEA-010-QU | F04 | 77100-LEA-000 | F10 | 8350G-LEA-000-IP | F07 |
| 64300-LEA-010-QZ | F04 | 77100-LEA-100 | F10 | 8350G-LEA-000-JG | F07 |
| 64300-LEA-010-SO | F04 | 77100-LEA-200 | F10 | 8350G-LEA-000-JZ | F07 |
| 64300-LEA-010-UT | F04 | 77201-LEA-010 | F10 | 8350G-LEA-000-KF | F07 |
| 64300-LEA-010-WE | F04 | 77226-M3F-000 | F06-1 | 8350G-LEA-000-QU | F07 |
| 64300-LEA-010-WS | F04 | 77230-LEA-000 | F11 | 8350G-LEA-000-QZ | F07 |
| 64301-LEA-000-FQ | F04 | 77233-M9Q-000 | F15 | 8350G-LEA-000-SO | F07 |
| 64301-LEA-000-FQZ | F04 | 77240-LEA-000 | F11 | 8350G-LEA-000-UT | F07 |
| 64301-LEA-000-IG | F04 | 80000 | | 8350G-LEA-600-QU | F07 |
| 64301-LEA-000-IGZ | F04 | 80100-LEA-000-KA | F14 | 8350G-LEA-600-WS | F07 |
| 64301-LEA-000-IL | F04 | 80105-LEA-000 | F14 | 83520-LEA-000-FQ | F04-1 |
| 64301-LEA-000-IP | F04 | 80106-LEA-000-KA | F14 | 83520-LEA-000-FQZ | F04-1 |
| 64301-LEA-000-JG | F04 | 80107-LEA-000 | F14 | 83520-LEA-000-IG | F04-1 |
| 64301-LEA-000-JZ | F04 | 80108-LEA-000 | F14 | 83520-LEA-000-IGZ | F04-1 |
| 64301-LEA-000-KF | F04 | 80110-LEA-000 | F14 | 83520-LEA-000-IL | F04-1 |

| PARTS NO. | NO. | PARTS NO. | NO. | PARTS NO. | NO. |
|-------------------|-------|-------------------|-------|-----------------|-------|
| 83520-LEA-000-IP | F04-1 | 83620-LEA-000-WS | F04-1 | 87123-HWA-000-S | F04-1 |
| 83520-LEA-000-JG | F04-1 | 8375G-LEA-000-FQ | F10 | 87123-HWA-000-S | F04-1 |
| 83520-LEA-000-JZ | F04-1 | 8375G-LEA-000-FQZ | F10 | 87123-HWA-000-S | F04-1 |
| 83520-LEA-000-KF | F04-1 | 8375G-LEA-000-IG | F10 | 87123-HWA-000-S | F04-1 |
| 83520-LEA-000-QU | F04-1 | 8375G-LEA-000-IGZ | F10 | 87123-HWA-000-S | F04-1 |
| 83520-LEA-000-QZ | F04-1 | 8375G-LEA-000-IL | F10 | 87123-HWA-000-S | F04-1 |
| 83520-LEA-000-SO | F04-1 | 8375G-LEA-000-IP | F10 | 87123-HWA-000-S | F04-1 |
| 83520-LEA-000-UT | F04-1 | 8375G-LEA-000-JG | F10 | 87123-HWA-000-S | F04-1 |
| 83520-LEA-000-WE | F04-1 | 8375G-LEA-000-JZ | F10 | 87123-LEA-000 | F10 |
| 83520-LEA-000-WS | F04-1 | 8375G-LEA-000-KF | F10 | 87123-LEA-000 | F10 |
| 83600-LEA-000-WE | F07-1 | 8375G-LEA-000-QU | F10 | 87123-LEA-000 | F10 |
| 8360G-LEA-000-FQ | F07-1 | 8375G-LEA-000-QZ | F10 | 87123-LEA-000 | F10 |
| 8360G-LEA-000-FQZ | F07-1 | 8375G-LEA-000-SO | F10 | 87123-LEA-000 | F10 |
| 8360G-LEA-000-IG | F07-1 | 8375G-LEA-000-UT | F10 | 87123-LEA-000 | F10 |
| 8360G-LEA-000-IGZ | F07-1 | 8375G-LEA-000-WE | F10 | 87123-LEA-000 | F10 |
| 8360G-LEA-000-IL | F07-1 | 8375G-LEA-000-WS | F10 | 87123-LEA-000 | F10 |
| 8360G-LEA-000-IP | F07-1 | 87000 | | 87123-LEA-000 | F10 |
| 8360G-LEA-000-JG | F07-1 | 87123-H85-000 | F04 | 87123-LEA-000 | F10 |
| 8360G-LEA-000-JZ | F07-1 | 87123-HWA-000-S | F04-1 | 87123-LEA-000 | F10 |
| 8360G-LEA-000-KF | F07-1 | 87123-HWA-000-S | F04-1 | 87123-LEA-000 | F10 |
| 8360G-LEA-000-QU | F07-1 | 87123-HWA-000-S | F04-1 | 87123-LEA-000 | F10 |
| 8360G-LEA-000-QZ | F07-1 | 87123-HWA-000-S | F04-1 | 87123-LEA-000 | F10 |
| 8360G-LEA-000-SO | F07-1 | 87123-HWA-000-S | F04-1 | 87123-LEA-000 | F10 |
| 8360G-LEA-000-UT | F07-1 | 87123-HWA-000-S | F04-1 | 87123-LVG-000 | F04 |
| 8360G-LEA-600-QU | F07-1 | 87123-HWA-000-S | F04-1 | 87123-TFL-000 | F10 |
| 8360G-LEA-600-WS | F07-1 | 87123-HWA-000-S | F04-1 | 87123-TFL-000 | F10 |
| 83620-LEA-000-FQ | F04-1 | 87123-HWA-000-S | F04-1 | 87123-TFL-000 | F10 |
| 83620-LEA-000-FQZ | F04-1 | 87123-HWA-000-S | F04-1 | 87123-TFL-000 | F10 |
| 83620-LEA-000-IG | F04-1 | 87123-HWA-000-S | F04-1 | 87123-TFL-000 | F10 |
| 83620-LEA-000-IGZ | F04-1 | 87123-HWA-000-S | F04-1 | 87123-TFL-000 | F10 |
| 83620-LEA-000-IL | F04-1 | 87123-HWA-000-S | F04-1 | 87123-TFL-000 | F10 |
| 83620-LEA-000-IP | F04-1 | 87123-HWA-000-S | F04-1 | 87123-TFL-000 | F10 |
| 83620-LEA-000-JG | F04-1 | 87123-HWA-000-S | F04-1 | 87123-TFL-000 | F10 |
| 83620-LEA-000-JZ | F04-1 | 87123-HWA-000-S | F04-1 | 87123-TFL-000 | F10 |
| 83620-LEA-000-KF | F04-1 | 87123-HWA-000-S | F04-1 | 87123-TFL-000 | F10 |
| 83620-LEA-000-QU | F04-1 | 87123-HWA-000-S | F04-1 | 87123-TFL-000 | F10 |
| 83620-LEA-000-QZ | F04-1 | 87123-HWA-000-S | F04-1 | 87123-TFL-000 | F10 |
| 83620-LEA-000-SO | F04-1 | 87123-HWA-000-S | F04-1 | 87123-TFL-000 | F10 |
| 83620-LEA-000-UT | F04-1 | 87123-HWA-000-S | F04-1 | 87123-TFL-000 | F10 |
| 83620-LEA-000-WE | F04-1 | 87123-HWA-000-S | F04-1 | 87123-TFR-000 | F04 |

| PARTS NO. | NO. | PARTS NO. | NO. | PARTS NO. | NO. |
|---------------|-------|----------------------|-------|------------------|-------|
| 87124-LEA-000 | F06-1 | 88110-LEA-000 | F15 | 90185-T31-000 | F15 |
| 87127-LEA-000 | F07 | 88110-LEA-900 | F15 | 90201-KR8-751-M1 | E05 |
| 87127-LEA-000 | F07 | 88112-M9Q-000 | F15 | 90201-KR8-751-M1 | E09 |
| 87127-LEA-000 | F07 | 88120-LEA-000 | F15 | 90201-KR8-751-M1 | E10 |
| 87127-LEA-000 | F07 | 88120-LEA-900 | F15 | 90202-HMA-000 | E10 |
| 87127-LEA-000 | F07 | 90000 | | 90206-HLK-000 | E02 |
| 87127-LEA-000 | F07 | 90001-M9Q-000 | E03 | 90302-V02-000 | F14 |
| 87127-LEA-000 | F07 | 90002-HMA-000 | E01 | 90304-M9Q-000 | F16 |
| 87127-LEA-000 | F07 | 90012-HLK-000 | E02 | 90305-M9Q-900 | F13 |
| 87127-LEA-000 | F07 | 90031-HMA-000 | E06 | 90306-M9Q-000 | F10 |
| 87127-LEA-000 | F07 | 90032-HMA-000 | E08 | 90308-X04-000 | F01 |
| 87127-LEA-000 | F07 | 90043-HMA-000 | F18 | 90308-X04-000 | F04 |
| 87127-LEA-000 | F07 | 90084-H9A-000 | E07 | 90308-X04-000 | F07 |
| 87127-LEA-000 | F07 | 9008A-H9A-000 | E07 | 90308-X04-000 | F09 |
| 87127-LEA-000 | F07 | 90102-AGA-000 | F08 | 90401-HMA-000 | E11 |
| 87127-LEA-000 | F07 | 90102-HEB-000 | F08 | 90401-KJ9-000 | E05 |
| 87127-LEA-000 | F07 | 90103-HEA-000 | F08 | 90401-KJ9-000 | E09 |
| 87127-LEA-000 | F07-1 | 90103-HKD-000 | F08 | 90401-KJ9-000 | E10 |
| 87127-LEA-000 | F07-1 | 90103-M9Q-000 | E08 | 90423-KJ9-000 | E07 |
| 87127-LEA-000 | F07-1 | 90103-V02-100 | F18 | 90442-HMA-000 | E02 |
| 87127-LEA-000 | F07-1 | 90104-AGA-000 | F08 | 90474-M9Q-000 | E08 |
| 87127-LEA-000 | F07-1 | 90104-X04-000 | F06-1 | 90478-700-000 | E07 |
| 87127-LEA-000 | F07-1 | 90105-HEA-000 | F08 | 90481-M9Q-100 | E08 |
| 87127-LEA-000 | F07-1 | 90105-HHA-000 | F10 | 90545-M9Q-000 | F02 |
| 87127-LEA-000 | F07-1 | 90105-KR3-000 | F06 | 90545-M9Q-000 | F19 |
| 87127-LEA-000 | F07-1 | 90105-KR3-000 | F13 | 90601-HMA-000 | E12 |
| 87127-LEA-000 | F07-1 | 90105-LEA-000 | F10 | 90602-HMA-000 | E10 |
| 87127-LEA-000 | F07-1 | 90106-LEA-000 | F12 | 90652-RB1-000 | F17 |
| 87127-LEA-000 | F07-1 | 90107-LEA-000 | F10 | 90652-RB1-000 | F17 |
| 87127-LEA-000 | F07-1 | 90108-HMA-000 | F16 | 90653-HMA-000 | E02 |
| 87127-LEA-000 | F07-1 | 90110-FYA-000 | F15 | 90677-M9Q-000 | F14 |
| 87127-LEA-000 | F07-1 | 90110-T53-000 | F02 | 90677-M9Q-000 | F17 |
| 87127-LEA-000 | F07-1 | 90111-H3A-000 | F18 | 90677-M9Q-000 | F04-1 |
| 87129-LEA-000 | F07 | 90111-M9Q-800 | F09 | 90682-V02-900 | E15 |
| 87129-LEA-000 | F07 | 90118-N02-000 | F02 | 90701-HB6-010 | E12 |
| 87129-LEA-000 | F07 | 90119-HMA-000 | F01 | 90754-LEA-000 | F06-1 |
| 87129-LEA-000 | F07-1 | 90119-HMA-000 | F02 | 90912-LEA-000 | F06 |
| 87129-LEA-000 | F07-1 | 90121-M9Q-000 | F08 | 91000 | |
| 87129-LEA-000 | F07-1 | 90145-M9Q-000 | F02 | 91001-HMA-000 | E12 |
| 88000 | | 90145-M9Q-000 | F19 | 91001-KJ9-005 | E07 |

| PARTS NO. | NO. | PARTS NO. | NO. | PARTS NO. | NO. |
|----------------------|-----|-----------------------|-------|-----------------------|-------|
| 91002-HMA-000 | E11 | 93406-08012-00 | F10 | 94103-12800 | F11 |
| 91003-HML-000 | E12 | 93406-08012-00 | F10 | 94109-12000 | E08 |
| 91003-LEA-000 | E12 | 93500-03008-1A | E13 | 94201-25200 | F16 |
| 91006-HMA-300 | E10 | 93500-05016-0A | E05 | 94301-08140 | E05 |
| 91007-HMA-300 | E10 | 93500-05022-00 | F02 | 94301-08140 | E06 |
| 91101-HMA-000 | E13 | 93500-06025-0H | E13 | 94301-08140 | E07 |
| 91103-A3F-000 | E13 | 93891-05012-07 | F02 | 94301-08140 | E11 |
| 91201-HMA-300 | E12 | 93891-05016-07 | F17 | 94301-12200 | E03 |
| 91202-HMA-000 | E05 | 93891-05016-07 | F17 | 94301-12200 | E03 |
| 91203-LEA-000 | E11 | 93891-05016-07 | F04-1 | 94510-10000 | E13 |
| 91204-HMA-000 | E11 | 93891-06020-07 | F06-1 | 94510-20000 | E08 |
| 91205-KF0-003 | E07 | 93892-05012-08 | F15 | 94520-26000 | E07 |
| 91211-HMA-000 | E10 | 93894-06012-07 | F14 | 94524-47000 | F13 |
| 91211-HMA-000 | E10 | 93903-25220 | F05 | 94540-08010 | E10 |
| 91255-LEA-000 | F06 | 93903-25220 | F07 | 95000 | |
| 91255-LEA-000 | F06 | 93903-25220 | F09 | 95002-80000 | E15 |
| 91256-LEA-000 | F06 | 93903-25280 | F01 | 95003-23032-60 | E15 |
| 91256-LEA-000 | F06 | 93903-25280 | F02 | 95701-10012-08 | E08 |
| 91301-HMA-000 | E04 | 93903-25280 | F05 | 95801-06012-08 | F11 |
| 91302-M9Q-000 | E07 | 93903-25280 | F09 | 95801-06016-07 | F06-1 |
| 91303-HMA-000 | E14 | 93903-25280 | F10 | 95801-06016-08 | F15 |
| 91303-HMA-000 | E14 | 93903-25320 | F01 | 95801-06030-08 | F06-1 |
| 91303-M2Q-000 | E07 | 93903-25320 | F04 | 95801-08016-08 | F11 |
| 91305-HMA-000 | E10 | 93903-34320 | F04 | 95801-08020-08 | F08 |
| 91307-M9Q-000 | E07 | 93903-34320 | F12 | 95801-08020-08 | F10 |
| 91308-HMA-000 | E02 | 93903-34380 | F01 | 95801-08035-07 | F13 |
| 92000 | | 93903-34380 | F04 | 95801-08050-08 | E08 |
| 92101-06016-0H | E04 | 93903-34380 | F05 | 95801-10040-08 | F13 |
| 92800-12000 | E08 | 93903-34380 | F14 | 95801-10045-08 | F06-1 |
| 93000 | | 93903-34480 | F14 | 95801-10065-07 | F13 |
| 93401-06022-07 | F18 | 93903-HGC-000 | F12 | 95801-12080-07 | F10 |
| 93404-06012-07 | F04 | 94000 | | 96000 | |
| 93404-06012-07 | F05 | 94002-08080-0S | F16 | 96001-06010-00 | E07 |
| 93404-06012-07 | F07 | 94050-05080 | F14 | 96001-06010-08 | E06 |
| 93404-06012-07 | F12 | 94050-06000 | E02 | 96001-06010-08 | E13 |
| 93404-06012-07 | F14 | 94050-06080 | F10 | 96001-06012-00 | E14 |
| 93404-06016-07 | F04 | 94050-06080 | F11 | 96001-06012-08 | E06 |
| 93404-06016-07 | F16 | 94050-10080 | E02 | 96001-06014-00 | E01 |
| 93404-06020-08 | F03 | 94050-12080 | F11 | 96001-06014-00 | E02 |
| 93405-06012-08 | F03 | 94102-08800 | F16 | 96001-06016-00 | E01 |

| PARTS NO. | NO. | PARTS NO. | NO. | PARTS NO. | NO. |
|----------------------|-------|--------------|-----|-----------|-----|
| 96001-06016-00 | E02 | F8781-340-00 | F06 | | |
| 96001-06018-00 | E04 | OTHER | | | |
| 96001-06018-07 | E14 | FA581-487-00 | F06 | | |
| 96001-06022-00 | E06 | FA581-487-00 | F06 | | |
| 96001-06022-00 | E07 | | | | |
| 96001-06032-00 | E07 | | | | |
| 96001-06035-00 | E14 | | | | |
| 96001-06040-00 | E05 | | | | |
| 96001-06045-00 | E07 | | | | |
| 96001-06050-00 | E08 | | | | |
| 96001-06055-00 | E06 | | | | |
| 96001-06070-00 | E08 | | | | |
| 96001-06090-00 | E02 | | | | |
| 96100-60000-00 | E07 | | | | |
| 96100-62040-10 | E11 | | | | |
| 96100-62053-10 | E11 | | | | |
| 96100-62070-10 | E12 | | | | |
| 96100-63020-00 | E11 | | | | |
| 96140-62013-10 | E05 | | | | |
| 96150-60060-10 | E14 | | | | |
| 96150-62050-10 | E11 | | | | |
| 96150-63033-10 | F13 | | | | |
| 96700-08020-00 | E05 | | | | |
| 96700-08020-00 | F06-1 | | | | |
| 98000 | | | | | |
| 98200-33000 | F15 | | | | |
| DRIVE BELT | | | | | |
| 1B01LEA01 | E10 | | | | |
| CAM CHAIN | | | | | |
| 1C14401-RFA-000 | E04 | | | | |
| 1C15141-HMA-000 | E13 | | | | |
| SPARK PLUG | | | | | |
| 1PCR8E-3 | E02 | | | | |
| TIRE | | | | | |
| 1T011107016-4PR-6031 | F06 | | | | |
| 1T011407016-4PR-6135 | F13 | | | | |
| BATTERY | | | | | |
| 1Y01HMB01-Y | F09 | | | | |
| OTHER | | | | | |
| F8781-340-00 | F06 | | | | |

MODEL : LH30W-6

| ITEM | PAGE | ORIGINAL NUMBER | DESCRIPTION | REVISED NUMBER | DESCRIPTION | EFFECTIVE DATE | REVISE DATE | CHANGE DETAILS | MODIFIED BY |
|------|------|------------------|-----------------------------|-----------------------------------|---------------------------------|----------------|-------------|----------------|-------------|
| 1 | F10 | 50351-LEA-000 | ENG HANGER LINK COMP | | ENG HANGER LINK COMP | | 2008/02/22 | DEL | SAM |
| 2 | F10 | 50354-LEA-000 | ENG HANGER DIST COLLAR | | ENG HANGER DIST COLLAR | | 2008/02/22 | DEL | SAM |
| 3 | F13 | | | 43121-LEA-000-DH | RR BRAKE DISK(GD-111S) | | 2008/02/22 | ADD | SAM |
| 4 | F06 | | | 45121-LEA-000-DH | FR BRAKE DISK(GD-111S) | | 2008/02/22 | ADD | SAM |
| 5 | F06 | | | 51400-LEA-000-GB | R CUSHION ASSY(GY-096S) | | 2008/02/22 | ADD | SAM |
| 6 | F06 | | | 51500-LEA-000-GB | L CUSHION ASSY(GY-096S) | | 2008/02/22 | ADD | SAM |
| 7 | E01 | 1230A-HMA-000 | CYLINDR HEAD COVER ASSY | 1230A-LEA-000 | CYLINDR HEAD COVER ASSY | | 2008/03/05 | REVISED | SAM |
| 8 | E12 | 13000-HML-010 | CRANK SHAFT COMP | 13000-LEA-000 | CRANK SHAFT COMP | | 2008/03/05 | REVISED | SAM |
| 9 | E12 | 13201-HMA-000 | CONNECTING ROD | 13201-LEA-000 | CONNECTING ROD | | 2008/03/05 | REVISED | SAM |
| 10 | F06 | 53212-VA3-000 | STRG BOTTOM CONE RACE | 53212-LEA-000 | STRG BOTTOM CONE RACE | | 2008/03/05 | REVISED | SAM |
| 11 | F06 | 44800-HMB-000 | SPEED SENSOR ASSY | 44800-LEA-000 | SPEED SENSOR ASSY | | 2008/03/05 | REVISED | SAM |
| 12 | F10 | 8120A-LEA-000-QZ | RR.CARRIER(S-421S-D) | 81200-LEA-000-QZ | RR.CARRIER(S-421S-D) | | 2008/03/05 | REVISED | SAM |
| 13 | F17 | 90652-HMA-000 | AIR/C CONN. TUBE BAND 58 | 90652-RB1-000 | AIR/C CONN. TUBE BAND 58 | | 2008/03/05 | REVISED | SAM |
| 14 | E13 | 15116-HMA-000 | OIL PUMP PLATE | | OIL PUMP PLATE | | 2008/03/05 | DEL | SAM |
| 15 | F11 | | | 53205-LEA-000-KA | UPPER HANDLE COVER(BK-001U) | | 2008/4/23 | ADD | SAM |
| 16 | F15 | | | 77233-M9Q-000 | INNER BOX LOCK | | 2008/6/24 | ADD | SAM |
| 17 | F15 | 17620-H6P-000 | SHUTTER COMP | 35110-LEA-000 | SHUTTER COMP | | 2008/6/25 | REVISED | SAM |
| 18 | F12 | | | 37800-LEA-000 | FUEL UNIT | | 2008/8/5 | ADD | SAM |
| 19 | E05 | 15713-HMC-000 | OIL BAFFLEPLATE | 15713-HMC-010 | OIL BAFFLEPLATE | 2008/5/19 | 2008/9/18 | CHANGE DESIGN | SAM |
| 20 | F01 | 67100-LEA-000 | WIND SCREEN | 67100-LEA-010 | WIND SCREEN | 2008/8/1 | 2008/9/18 | CHANGE DESIGN | SAM |
| 21 | F01 | | | 53207-LEA-000-QU | FR HANDLE COVER WH-300P | | 2008/9/18 | ADD | SAM |
| 22 | F02 | | | 45100-LEA-000-RY | FR.CALIPER ASSY R-100C | | 2008/9/18 | ADD | SAM |
| 23 | F02 | | | 43100-LEA-000-RY | RR.CALIPER ASSY R-100C | | 2008/9/18 | ADD | SAM |
| 24 | F03 | 19000-HMA-000 | RADIATOR ASSY. | 19000-LEA-000 | RADIATOR ASSY. | 2008/8/14 | 2008/9/18 | CHANGE DESIGN | SAM |
| 25 | F03 | 19010-HMA-000 | RADIATOR COMP | 19010-LEA-000 | RADIATOR COMP | 2008/8/14 | 2008/9/18 | CHANGE DESIGN | SAM |
| 26 | F03 | 19503-LEA-000 | RES TANK INLET WATER HOSE | 19503-LEA-010 | RES TANK INLET WATER HOSE | 2008/8/14 | 2008/9/18 | CHANGE DESIGN | SAM |
| 27 | F04 | | | 64301-LEA-000-QU | FR COVER WH-300P | | 2008/9/18 | ADD | SAM |
| 28 | F04 | | | 64300-LEA-000-QU | FR UNDER SPOILER WH-300P | | 2008/9/18 | ADD | SAM |
| 29 | F04 | | | 83620-LEA-000-QU | L SIDE COVER WH-300P | | 2008/9/18 | ADD | SAM |
| 30 | F04 | | | 83520-LEA-000-QU | R SIDE COVER WH-300P | | 2008/9/18 | ADD | SAM |
| 31 | F06 | | | 44601-LEA-000-KB1 | FR CAST WHEEL COMP BK-001C | | 2008/9/18 | ADD | SAM |
| 32 | F06 | | | 51400-LEA-000-KB | R CUSHION ASSY BK-001C | | 2008/9/18 | ADD | SAM |
| 33 | F06 | | | 51500-LEA-000-KB | L CUSHION ASSY BK-001C | | 2008/9/18 | ADD | SAM |
| 34 | F06 | | | 61100-LEA-000-QU | FR.FENDER WH-300P | | 2008/9/18 | ADD | SAM |
| 35 | F06 | 44800-HMB-000 | SPEED SENSOR ASSY | 44800-LEA-000 | SPEED SENSOR ASSY | 2008/7/21 | 2008/9/18 | CHANGE DESIGN | SAM |
| 36 | F07 | | | 64313-LEA-000-KB | R.SIDE GARNISH BK-001C | | 2008/9/18 | ADD | SAM |
| 37 | F07 | | | 64314-LEA-000-KB | L.SIDE GARNISH BK-001C | | 2008/9/18 | ADD | SAM |
| 38 | F07 | | | 8350G-LEA-600-QU | R.BODY COVER ASSY WH-300P | | 2008/9/18 | ADD | SAM |
| 39 | F07 | | | 87127-LEA-000 | BODY COVER EMBLEM(CITYCOM 300i) | | 2008/9/18 | ADD | SAM |
| 40 | F07 | | | 87129-LEA-000 | BODY COVER EMBLEM A | | 2008/9/18 | ADD | SAM |
| 41 | F07 | | | 8360G-LEA-600-QU | L.BODY COVER ASSY WH-300P | | 2008/9/18 | ADD | SAM |
| 42 | F07 | | | 87127-LEA-000 | BODY COVER EMBLEM(CITYCOM 300i) | | 2008/9/18 | ADD | SAM |
| 43 | F07 | | | 87129-LEA-000 | BODY COVER EMBLEM A | | 2008/9/18 | ADD | SAM |
| 44 | F10 | | | 81200-LEA-000-KB | RR.CARRIER BK-001C | | 2008/9/18 | ADD | SAM |
| 45 | F10 | | | 8375G-LEA-000-QU | RR.CENTER COVER ASSY WH-300P | | 2008/9/18 | ADD | SAM |
| 46 | F13 | | | 42601-LEA-000-KB1 | RR.CAST WHEEL COMP BK-001C | | 2008/9/18 | ADD | SAM |
| 47 | F13 | | | 52400-LEA-000-KB | RR. CUSHION ASSY BK-001C | | 2008/9/18 | ADD | SAM |
| 48 | F15 | 32100-LEA-010 | WIRE HARNESS | 32100-LEA-020 | WIRE HARNESS | 2008/9/15 | 2008/9/18 | CHANGE DESIGN | SAM |
| 49 | F15 | | | 3043A-REA-000 | BATTERY OPEN CONTROL ASSY | | 2008/9/18 | ADD | SAM |
| 50 | F06 | | | 91255-LEA-000 | OIL SEAL | | 2008/10/23 | ADD | SAM |
| 51 | F06 | | | 91256-LEA-000 | DUST OIL SEAL | | 2008/10/23 | ADD | SAM |
| 52 | F04 | 64300-LEA-000-JZ | FR UNDER SPOILER BK-5395S-D | 64300-LEA-010-JZ | FR UNDER SPOILER BK-5395S-D | 2008/11/3 | 2008/11/17 | CHANGE DESIGN | SAM |

| | | | | | | | | | |
|-----|-----|-------------------|----------------------------|-------------------|-------------------------------|-----------|------------|---------------|-----|
| 53 | F04 | 64300-LEA-000-FQZ | FR UNDER SPOILER BU-289S-D | 64300-LEA-010-FQZ | FR UNDER SPOILER BU-289S-D | 2008/11/3 | 2008/11/17 | CHANGE DESIGN | SAM |
| 54 | F04 | 64300-LEA-000-IGZ | FR UNDER SPOILER GY-419S-D | 64300-LEA-010-IGZ | FR UNDER SPOILER GY-419S-D | 2008/11/3 | 2008/11/17 | CHANGE DESIGN | SAM |
| 55 | F04 | 64300-LEA-000-QZ | FR UNDER SPOILER S-421S-D | 64300-LEA-010-QZ | FR UNDER SPOILER S-421S-D | 2008/11/3 | 2008/11/17 | CHANGE DESIGN | SAM |
| 56 | F04 | 64300-LEA-000-QU | FR UNDER SPOILER WH-300P | 64300-LEA-010-QU | FR UNDER SPOILER WH-300P | 2008/11/3 | 2008/11/17 | CHANGE DESIGN | SAM |
| 57 | F04 | 64310-LEA-000-KA | FLOOR PANEL BK-001U | 64310-LEA-010-KA | FLOOR PANEL BK-001U | 2008/11/3 | 2008/11/17 | CHANGE DESIGN | SAM |
| 58 | F04 | | | 64303-HEG-000 | PILLION STEP | 2008/11/3 | 2008/11/17 | ADD | SAM |
| 59 | F04 | | | 64306-HEB-000 | PILLION STEP CAP(BK) | 2008/11/3 | 2008/11/17 | ADD | SAM |
| 60 | F08 | 50613-LEA-000 | R.PILLION STEP BRKT | 50613-LEA-900 | R.PILLION STEP BRKT | 2008/11/3 | 2008/11/17 | CHANGE DESIGN | SAM |
| 61 | F08 | 50614-LEA-000 | L.PILLION STEP BRKT | 50614-LEA-900 | L.PILLION STEP BRKT | 2008/11/3 | 2008/11/17 | CHANGE DESIGN | SAM |
| 62 | F08 | 50717-HEB-000 | R.PILLION STEP S-880S | 50717-HEA-000 | R.PILLION STEP S-880S | 2008/11/3 | 2008/11/17 | CHANGE DESIGN | SAM |
| 63 | F08 | 50718-HEB-000 | L.PILLION STEP S-880S | 50718-HEA-000 | L.PILLION STEP S-880S | 2008/11/3 | 2008/11/17 | CHANGE DESIGN | SAM |
| 64 | F08 | 90102-HEB-000 | STEP BAR BOLT | 90102-AGA-000 | STEP BAR BOLT | 2008/11/3 | 2008/11/17 | CHANGE DESIGN | SAM |
| 65 | F08 | 90103-HKD-000 | PILLION STEP WASHER A | 90103-HEA-000 | PILLION STEP WASHER A | 2008/11/3 | 2008/11/17 | CHANGE DESIGN | SAM |
| 66 | F08 | | | 50629-HEA-000 | STEP RETURN SPRING A | 2008/11/3 | 2008/11/17 | ADD | SAM |
| 67 | F08 | | | 90104-AGA-000 | STEP BAR COLLAR | 2008/11/3 | 2008/11/17 | ADD | SAM |
| 68 | F08 | | | 90105-HEA-000 | PILLION STEP WASHER B | 2008/11/3 | 2008/11/17 | ADD | SAM |
| 69 | F08 | | | 50626-HEA-000 | R. PILLION STEP SPG | 2008/11/3 | 2008/11/17 | ADD | SAM |
| 70 | F08 | | | 50627-HEA-000 | L. PILLION STEP SPG | 2008/11/3 | 2008/11/17 | ADD | SAM |
| 71 | F08 | | | 5071A-HEA-000 | R. STEP PLATE ASSY | 2008/11/3 | 2008/11/17 | ADD | SAM |
| 72 | F08 | | | 5071B-HEA-000 | L.STEP PLATE ASSY | 2008/11/3 | 2008/11/17 | ADD | SAM |
| 73 | F11 | 50100-LEA-000 | FRAME BODY COMP BK-001C | 50100-LEA-010 | FRAME BODY COMP BK-001C | 2008/11/3 | 2008/11/17 | CHANGE DESIGN | SAM |
| 74 | F15 | 88120-LEA-000 | LH.BACK MIRROR ASSY | 88120-LEA-900 | LH.BACK MIRROR ASSY | 2008/11/3 | 2008/11/17 | CHANGE DESIGN | SAM |
| 75 | F15 | 88110-LEA-000 | RH.BACK MIRROR ASSY | 88110-LEA-900 | RH.BACK MIRROR ASSY | 2008/11/3 | 2008/11/17 | CHANGE DESIGN | SAM |
| 76 | F01 | | | 37211-LEA-000 | METER LENS | | 2009/1/21 | ADD | SAM |
| 77 | F01 | 67100-LEA-000 | WIND SCREEN | 67100-LEA-010 | WIND SCREEN | 2008/8/1 | 2009/2/12 | CHANGE DESIGN | SAM |
| 78 | F17 | 37880-HMC-000 | AIR TEMP SENSOR | 37830-HMC-000 | AIR TEMP SENSOR | | 2009/2/19 | REVISED | SAM |
| 79 | F01 | | | 53207-LEA-000-WS | FR HANDLE COVER WH-005PP | | 2009/4/15 | ADD | SAM |
| 80 | F04 | | | 64301-LEA-000-WS | FR COVER WH-005PP | | 2009/4/15 | ADD | SAM |
| 81 | F04 | | | 64300-LEA-010-WS | FR UNDER SPOILER WH-005PP | | 2009/4/15 | ADD | SAM |
| 82 | F04 | | | 83620-LEA-000-WS | L SIDE COVER WH-005PP | | 2009/4/15 | ADD | SAM |
| 83 | F04 | | | 87123-HWA-000-S | SYM STRIPE S-480S | | 2009/4/15 | ADD | SAM |
| 84 | F04 | | | 83520-LEA-000-WS | R SIDE COVER WH-005PP | | 2009/4/15 | ADD | SAM |
| 85 | F06 | | | 61100-LEA-000-WS | FR.FENDER WH-005PP | | 2009/4/15 | ADD | SAM |
| 86 | F07 | | | 8350G-LEA-600-WS | R BODY COVER ASSY WH-005PP | | 2009/4/15 | ADD | SAM |
| 87 | F07 | | | 8360G-LEA-600-WS | L BODY COVER ASSY WH-005PP | | 2009/4/15 | ADD | SAM |
| 88 | F10 | | | 8375G-LEA-000-WS | RR CENTER COVER ASSY WH-005PP | | 2009/4/15 | ADD | SAM |
| 89 | F04 | 87123-H85-000 | S-LOGO 40MM(POLY) | 87123-TFR-000 | S-LOGO 40MM(POLY) | 2009/4/13 | 2009/4/15 | CHANGE DESIGN | SAM |
| 90 | F05 | 81131-LEA-000-KA | INNER BOX BK-001U | 81131-LEA-010-KA | INNER BOX BK-001U | 2009/1/5 | 2009/4/15 | CHANGE DESIGN | SAM |
| 91 | E12 | 13311-HML-300 | R CRANK SHAFT | | R CRANK SHAFT | | 2009/4/15 | DEL | SAM |
| 92 | E12 | 13321-HMA-300 | L CRANK SHAFT | | L CRANK SHAFT | | 2009/4/15 | DEL | SAM |
| 93 | E13 | 15101-HMA-000 | OIL PUMP BODY COMP | | OIL PUMP BODY COMP | | 2009/4/15 | DEL | SAM |
| 94 | E13 | 15331-HMA-000 | OIL PUMP INNER ROTOR 8MM | | OIL PUMP INNER ROTOR 8MM | | 2009/4/15 | DEL | SAM |
| 95 | E13 | 15332-HMA-000 | OIL PUMP OUTER ROTOR 8MM | | OIL PUMP OUTER ROTOR 8MM | | 2009/4/15 | DEL | SAM |
| 96 | E14 | 11341-LEA-000 | L. CRANK CASE COVER | | L. CRANK CASE COVER | | 2009/4/15 | DEL | SAM |
| 97 | F01 | 67100-LEA-000 | WIND SCREEN | | WIND SCREEN | | 2009/4/15 | DEL | SAM |
| 98 | E13 | | | 15711-HML-000 | OIL SEPARATER | | 2009/5/21 | ADD | SAM |
| 99 | E13 | | | 96001-06010-08 | FLANGE BOLT SH 6X10 | | 2009/5/21 | ADD | SAM |
| 100 | F06 | | | 90754-LEA-000 | DUST SEAL 20X35X5.0 | | 2009/5/26 | ADD | SAM |
| 101 | F01 | | | 53207-LEA-000-WE | FR HANDLE COVER WH-005C | | 2009/6/1 | ADD | SAM |
| 102 | F04 | | | 64301-LEA-000-WE | FR COVER WH-005C | | 2009/6/1 | ADD | SAM |
| 103 | F04 | | | 64300-LEA-010-WE | FR UNDER SPOILER WH-005C | | 2009/6/1 | ADD | SAM |
| 104 | F04 | | | 83620-LEA-000-WE | L SIDE COVER WH-005C | | 2009/6/1 | ADD | SAM |
| 105 | F04 | | | 83520-LEA-000-WE | R SIDE COVER WH-005C | | 2009/6/1 | ADD | SAM |
| 106 | F06 | | | 61100-LEA-000-WE | FR.FENDER WH-005C | | 2009/6/1 | ADD | SAM |

| | | | | | | | | | |
|-----|-----|---------------|---------------------------|------------------|-------------------------------|------------|------------|-----------------------|-------|
| 107 | F07 | | | 83500-LEA-000-WE | R BODY COVER WH-005C | | 2009/6/1 | ADD | SAM |
| 108 | F07 | | | 83600-LEA-000-WE | L BODY COVER WH-005C | | 2009/6/1 | ADD | SAM |
| 109 | F10 | | | 8375G-LEA-000-WE | RR CENTER COVER ASSY WH-005C | | 2009/6/1 | ADD | SAM |
| 110 | F08 | 50613-LEA-900 | R.PILLION STEP BRKT | | R.PILLION STEP BRKT | | 2009/6/29 | DEL | SAM |
| 111 | F08 | 50614-LEA-900 | L.PILLION STEP BRKT | | L.PILLION STEP BRKT | | 2009/6/29 | DEL | SAM |
| 112 | F03 | | | 19507-LEA-020 | RES TANK OUTLET WATER HOSE | | 2009/7/30 | DESIGN CHANGE(25-1479 | ERICA |
| 113 | E12 | 91003-HML-000 | CONN.ROD BRG.KU32*41*17.8 | 91003-LEA-000 | CONN.ROD BRG.KU32*41*17.8 | | 2009/8/25 | DESIGN CHANGE(25-1531 | ERICA |
| 114 | F15 | | | 36100-A5L-100 | ROLL OVER SENSOR ASSY | | 2009/8/25 | DESIGN CHANGE(25-1541 | ERICA |
| 115 | F01 | | | 53207-LEA-000-KF | FR HANDLE COVER BK-5395S | | 2009/10/16 | ADD | SAM |
| 116 | F01 | | | 53207-LEA-000-IG | FR HANDLE COVER GY-419S | | 2009/10/16 | ADD | SAM |
| 117 | F01 | | | 53207-LEA-000-SO | FR HANDLE COVER S-421S | | 2009/10/16 | ADD | SAM |
| 118 | F04 | | | 64301-LEA-000-KF | FR COVER BK-5395S | | 2009/10/16 | ADD | SAM |
| 119 | F04 | | | 64301-LEA-000-IG | FR COVER GY-419S | | 2009/10/16 | ADD | SAM |
| 120 | F04 | | | 64301-LEA-000-SO | FR COVER S-421S | | 2009/10/16 | ADD | SAM |
| 121 | F04 | | | 64300-LEA-010-KF | FR UNDER SPOILER BK-5395S | | 2009/10/16 | ADD | SAM |
| 122 | F04 | | | 64300-LEA-010-IG | FR UNDER SPOILER GY-419S | | 2009/10/16 | ADD | SAM |
| 123 | F04 | | | 64300-LEA-010-SO | FR UNDER SPOILER S-421S | | 2009/10/16 | ADD | SAM |
| 124 | F04 | | | 83620-LEA-000-KF | L SIDE COVER BK-5395S | | 2009/10/16 | ADD | SAM |
| 125 | F04 | | | 83620-LEA-000-IG | L SIDE COVER GY-419S | | 2009/10/16 | ADD | SAM |
| 126 | F04 | | | 83620-LEA-000-SO | L SIDE COVER S-421S | | 2009/10/16 | ADD | SAM |
| 127 | F04 | | | 83520-LEA-000-KF | R SIDE COVER BK-5395S | | 2009/10/16 | ADD | SAM |
| 128 | F04 | | | 83520-LEA-000-IG | R SIDE COVER GY-419S | | 2009/10/16 | ADD | SAM |
| 129 | F04 | | | 83520-LEA-000-SO | R SIDE COVER S-421S | | 2009/10/16 | ADD | SAM |
| 130 | F06 | | | 61100-LEA-000-KF | FR.FENDER BK-5395S | | 2009/10/16 | ADD | SAM |
| 131 | F06 | | | 61100-LEA-000-IG | FR.FENDER GY-419S | | 2009/10/16 | ADD | SAM |
| 132 | F06 | | | 61100-LEA-000-SO | FR.FENDER S-421S | | 2009/10/16 | ADD | SAM |
| 133 | F07 | | | 8350G-LEA-000-KF | R BODY COVER ASSY BK-5395S | | 2009/10/16 | ADD | SAM |
| 134 | F07 | | | 8350G-LEA-000-IG | R BODY COVER ASSY GY-419S | | 2009/10/16 | ADD | SAM |
| 135 | F07 | | | 8350G-LEA-000-SO | R BODY COVER ASSY S-421S-D | | 2009/10/16 | ADD | SAM |
| 136 | F07 | | | 8360G-LEA-000-KF | L BODY COVER ASSY BK-5395S | | 2009/10/16 | ADD | SAM |
| 137 | F07 | | | 8360G-LEA-000-IG | L BODY COVER ASSY GY-419S | | 2009/10/16 | ADD | SAM |
| 138 | F07 | | | 8360G-LEA-000-SO | L BODY COVER ASSY S-421S | | 2009/10/16 | ADD | SAM |
| 139 | F10 | | | 81200-LEA-000-SO | RR.CARRIER S-421S | | 2009/10/16 | ADD | SAM |
| 140 | F10 | | | 8375G-LEA-000-KF | RR CENTER COVER ASSY BK-5395S | | 2009/10/16 | ADD | SAM |
| 141 | F10 | | | 8375G-LEA-000-IG | RR CENTER COVER ASSY GY-419S | | 2009/10/16 | ADD | SAM |
| 142 | F10 | | | 8375G-LEA-000-SO | RR CENTER COVER ASSY S-421S | | 2009/10/16 | ADD | SAM |
| 143 | F07 | | | 64313-LEA-000-SO | R.SIDE GARNISH S-421S | | 2009/10/16 | ADD | SAM |
| 144 | F07 | | | 64314-LEA-000-SO | L.SIDE GARNISH S-421S | | 2009/10/16 | ADD | SAM |
| 145 | F18 | | | 18241-HMA-020 | EXH. PIPE PROTECTOR | | 2009/11/10 | ADD | SAM |
| 146 | F18 | | | 90103-V02-100 | FLANGE SH BOLT SET 6X12 | | 2009/11/10 | ADD | SAM |
| 147 | F02 | | | 45126-LEA-000 | FR. BRAKE HOSE COMP | | 2009/12/16 | ADD | SAM |
| 148 | F01 | | | 53207-LEA-000-FQ | FR HANDLE COVER BU-289S | | 16.12.2009 | ADD | SAM |
| 149 | F04 | | | 64301-LEA-000-FQ | FR COVER BU-289S | | 16.12.2009 | ADD | SAM |
| 150 | F04 | | | 64300-LEA-010-FQ | FR UNDER SPOILER BU-289S | | 16.12.2009 | ADD | SAM |
| 151 | F04 | | | 83620-LEA-000-FQ | L SIDE COVER BU-289S | | 16.12.2009 | ADD | SAM |
| 152 | F04 | | | 83520-LEA-000-FQ | R SIDE COVER BU-289S | | 16.12.2009 | ADD | SAM |
| 153 | F06 | | | 61100-LEA-000-FQ | FR.FENDER BU-289S | | 16.12.2009 | ADD | SAM |
| 154 | F07 | | | 8350G-LEA-000-FQ | R.BODY COVER ASSY BU-289S | | 16.12.2009 | ADD | SAM |
| 155 | F07 | | | 8360G-LEA-000-FQ | L.BODY COVER ASSY BU-289S | | 16.12.2009 | ADD | SAM |
| 156 | F10 | | | 8375G-LEA-000-FQ | RR.CENTER COVER ASSY BU-289S | | 16.12.2009 | ADD | SAM |
| 157 | F11 | 50100-LEA-010 | FRAME BODY COMP BK-001C | 50100-LEA-020 | FRAME BODY COMP BK-001C | 20.10.2009 | 24.12.2009 | DESIGN CHANGE(25-1558 | ERICA |
| 158 | F01 | | | 53207-LEA-000-IP | FR HANDLE COVER GY-517S | | 12.01.2010 | ADD | SAM |
| 159 | F01 | | | 53207-LEA-000-IL | FR HANDLE COVER GY-7450U | | 12.01.2010 | ADD | SAM |
| 160 | F04 | | | 64301-LEA-000-IP | FR COVER GY-517S | | 12.01.2010 | ADD | SAM |

| | | | | | | | | | |
|-----|-----|---------------|----------------------------|----------------------|-----------------------------------|------------|------------|-----------------------|-------|
| 161 | F04 | | | 64301-LEA-000-IL | FR COVER GY-7450U | | 12.01.2010 | ADD | SAM |
| 162 | F04 | | | 64300-LEA-010-IP | FR UNDER SPOILER GY-517S | | 12.01.2010 | ADD | SAM |
| 163 | F04 | | | 64300-LEA-010-IL | FR UNDER SPOILER GY-7450U | | 12.01.2010 | ADD | SAM |
| 164 | F04 | | | 83620-LEA-000-IP | L SIDE COVER GY-517S | | 12.01.2010 | ADD | SAM |
| 165 | F04 | | | 83620-LEA-000-IL | L SIDE COVER GY-7450U | | 12.01.2010 | ADD | SAM |
| 166 | F04 | | | 83520-LEA-000-IP | R SIDE COVER GY-517S | | 12.01.2010 | ADD | SAM |
| 167 | F04 | | | 83520-LEA-000-IL | R SIDE COVER GY-7450U | | 12.01.2010 | ADD | SAM |
| 168 | F06 | | | 61100-LEA-000-IP | FR.FENDER GY-517S | | 12.01.2010 | ADD | SAM |
| 169 | F06 | | | 61100-LEA-000-IL | FR.FENDER GY-7450U | | 12.01.2010 | ADD | SAM |
| 170 | F07 | | | 8350G-LEA-000-IP | R BODY COVER ASSY GY-517S | | 12.01.2010 | ADD | SAM |
| 171 | F07 | | | 8350G-LEA-000-IL | R BODY COVER ASSY GY-7450U | | 12.01.2010 | ADD | SAM |
| 172 | F07 | | | 8360G-LEA-000-IP | L BODY COVER ASSY GY-517S | | 12.01.2010 | ADD | SAM |
| 173 | F07 | | | 8360G-LEA-000-IL | L BODY COVER ASSY GY-7450U | | 12.01.2010 | ADD | SAM |
| 174 | F10 | | | 8375G-LEA-000-IP | RR CENTER COVER ASSY GY-517S | | 12.01.2010 | ADD | SAM |
| 175 | F10 | | | 8375G-LEA-000-IL | RR CENTER COVER ASSY GY-7450U | | 12.01.2010 | ADD | SAM |
| 176 | F07 | | | 8350G-LEA-000-QU | R BODY COVER ASSY WH-300P | | 21.01.2010 | ADD | SAM |
| 177 | F07 | | | 8360G-LEA-000-QU | L BODY COVER ASSY WH-300P | | 21.01.2010 | ADD | SAM |
| 178 | F01 | | | 53207-LEA-000-JG | FR HANDLE COVER BK-433S | | 16.03.2010 | ADD | SAM |
| 179 | F01 | | | 53207-LEA-000-UT | FR HANDLE COVER BU-7546S | | 16.03.2010 | ADD | SAM |
| 180 | F04 | | | 64301-LEA-000-JG | FR COVER BK-433S | | 16.03.2010 | ADD | SAM |
| 181 | F04 | | | 64301-LEA-000-UT | FR COVER BU-7546S | | 16.03.2010 | ADD | SAM |
| 182 | F04 | | | 64300-LEA-010-JG | FR. UNDER SPOILER BK-433S | | 16.03.2010 | ADD | SAM |
| 183 | F04 | | | 64300-LEA-010-UT | FR UNDER SPOILER BU-7546S | | 16.03.2010 | ADD | SAM |
| 184 | F04 | | | 83620-LEA-000-JG | L SIDE COVER BJ-433S | | 16.03.2010 | ADD | SAM |
| 185 | F04 | | | 83620-LEA-000-UT | L SIDE COVER BU-7546S | | 16.03.2010 | ADD | SAM |
| 186 | F04 | | | 83520-LEA-000-JG | R SIDE COVER BK-433S | | 16.03.2010 | ADD | SAM |
| 187 | F04 | | | 83520-LEA-000-UT | R SIDE COVER BU-7546S | | 16.03.2010 | ADD | SAM |
| 188 | F06 | | | 61100-LEA-000-JG | FR.FENDER BK-433S | | 16.03.2010 | ADD | SAM |
| 189 | F06 | | | 61100-LEA-000-UT | FR.FENDER BU-7546S | | 16.03.2010 | ADD | SAM |
| 190 | F07 | | | 8350G-LEA-000-JG | R BODY COVER ASSY BK-433S | | 16.03.2010 | ADD | SAM |
| 191 | F07 | | | 8350G-LEA-000-UT | R BODY COVER ASSY BU-7546S | | 16.03.2010 | ADD | SAM |
| 192 | F07 | | | 8360G-LEA-000-JG | L BODY COVER ASSY BK-433S | | 16.03.2010 | ADD | SAM |
| 193 | F07 | | | 8360G-LEA-000-UT | L BODY COVER ASSY BU-7546S | | 16.03.2010 | ADD | SAM |
| 194 | F10 | | | 8375G-LEA-000-JG | RR CENTER COVER ASSY BK-433S | | 16.03.2010 | ADD | SAM |
| 195 | F10 | | | 8375G-LEA-000-UT | RR CENTER COVER ASSY BU-7546S | | 16.03.2010 | ADD | SAM |
| 196 | F18 | | | 18000-LEB-000-Y | EX.MUFFLER ASSY(PROTECTOR=YR-176) | | 16.03.2010 | ADD | SAM |
| 197 | F18 | | | 18318-LEB-300-Y | MUFFLER PROTECTOR YR-176 | | 16.03.2010 | ADD | SAM |
| 198 | E07 | 1922A-HMA-000 | WATER PUMP COVER ASSY | 1922A-LEA-000 | WATER PUMP COVER ASSY | 10.12.2009 | 01.04.2010 | DESIGN CHANGE(25-1604 | ERICA |
| 199 | F03 | 19000-LEA-000 | RADIATOR ASSY. | 19000-LEA-900 | RADIATOR ASSY. | 01.12.2009 | 01.04.2010 | DESIGN CHANGE(25-1600 | ERICA |
| 200 | F03 | 19010-LEA-000 | RADIATOR COMP | 19010-LEA-900 | RADIATOR COMP | 01.12.2009 | 01.04.2010 | DESIGN CHANGE(25-1600 | ERICA |
| 201 | F03 | 19501-LEA-000 | RADIATOR INLET WATWE HOSE | 19501-LEA-900 | RADIATOR INLET WATWE HOSE | 01.12.2009 | 01.04.2010 | DESIGN CHANGE(25-1600 | ERICA |
| 202 | F03 | 19505-LEA-000 | ENG INLET WATER HOSE | 19505-LEA-900 | ENG INLET WATER HOSE | 01.12.2009 | 01.04.2010 | DESIGN CHANGE(25-1600 | ERICA |
| 203 | F03 | 19507-LEA-020 | RES TANK OUTLET WATER HOSE | 19507-LEA-900 | RES TANK OUTLET WATER HOSE | 01.12.2009 | 01.04.2010 | DESIGN CHANGE(25-1600 | ERICA |
| 204 | F10 | 77100-LEA-000 | DOUBLE SEAT ASSY | 77100-LEA-100 | DOUBLE SEAT ASSY | 01.04.2010 | 22.04.2010 | DESIGN CHANGE(25-1632 | SAM |
| 205 | F14 | 80110-LEA-000 | RH. RR. MUDGUARD BRKT COMP | 80110-LEA-010 | RH. RR. MUDGUARD BRKT COMP | 2010/5/17 | 2010/5/11 | DESIGN CHANGE(25-1730 | SAM |
| 206 | F14 | 80111-LEA-000 | LH. RR. MUDGUARD BRKT COMP | 80111-LEA-010 | LH. RR. MUDGUARD BRKT COMP | 2010/5/17 | 2010/5/11 | DESIGN CHANGE(25-1730 | SAM |
| 207 | F14 | | | 80107-LEA-000 | RR.MUDGUARD BRKT.COLLAR | 2010/5/17 | 2010/5/11 | ADD(25-17307) | SAM |
| 208 | F14 | | | 80108-LEA-000 | RR.MUDGUARD BRKT.RUBBER | 2010/5/17 | 2010/5/11 | ADD(25-17307) | SAM |
| 209 | F15 | | | 88112-M9Q-000 | SOCKET CAP BOLT 8MM | | 2010/6/11 | ADD | SAM |
| 210 | F15 | | | 90185-T31-000 | SOCKET BOLT 8X40 | | 2010/6/11 | ADD | SAM |
| 211 | F15 | | | 35111-A8D-000-A01/20 | KEY A | | 2010/6/11 | ADD | SAM |
| 212 | F15 | | | 35111-A8D-000-B01/20 | KEY B | | 2010/6/11 | ADD | SAM |
| 213 | E13 | | | 15126-B8A-000 | OIL PUMP GASKET | | 2010/6/28 | ADD | SAM |
| 214 | E02 | 19315-KJ9-000 | THERMOSTAT COVER | 19315-LEA-000 | THERMOSTAT COVER | 2010/3/9 | 2010/6/30 | DESIGN CHANGE(25-1707 | ERICA |

| | | | | | | | | | |
|-----|-----|------------------|-------------------------------|-------------------|-------------------------------|------------|------------|------------------------|--------|
| 215 | F02 | 45105-HEB-900-A | FR/RR BRAKE PAD COMP | 45105-LEA-000-A | FR/RR BRAKE PAD COMP | | 2010/8/4 | REVISED | SAM |
| 216 | F01 | | | 17591-HMC-000 | A.I.S.V.RUBBER | | 2010/9/14 | ADD | SAM |
| 217 | F01 | | | 17592-HMC-000 | A.I.S.V.COLLAR | | 2010/9/14 | ADD | SAM |
| 218 | F02 | 32105-LEA-000 | SUB.CORD HARNESS | 32106-H9A-000 | SUB.CORD HARNESS | | 2010/9/14 | REVISED | SAM |
| 219 | F02 | | | 43502-LEA-000 | FF./FR.BRAKE M/C LID | | 2010/9/14 | ADD | SAM |
| 220 | F15 | | | 32105-LEA-000 | SUB.CORD HARNESS | | 2010/9/14 | ADD | SAM |
| 221 | F07 | | | 34906-LEA-000 | BULB TALL & STOP | | 2010/9/23 | ADD | SAM |
| 222 | F07 | | | 34905-RCA-000 | WINKER BULB | | 2010/9/23 | ADD | SAM |
| 223 | F15 | 35860-HMC-000 | START MAG. SET | 35860-HMC-010 | START MAG. SET | 2010/10/18 | 2010/11/1 | DESIGN CHANGE(25-1774) | SAM |
| 224 | F10 | 95801-08020-08 | FLANGE BOLT | 93406-08012-00 | FLANGE BOLT | 04.01.2010 | 10.11.2010 | DESIGN CHANGE(26-0995) | SAM |
| 225 | F10 | 93406-08012-00 | WASHER BOLT 8X12 | 90107-LEA-000 | WASHER BOLT 8X12 | 04.01.2010 | 10.11.2010 | DESIGN CHANGE(26-0995) | SAN |
| 226 | F14 | 33741-M9A-000 | RR. REFLECTOR | 33741-M9Q-100 | RR. REFLECTOR | 18.08.2010 | 16.11.2010 | DESIGN CHANGE(25-1760) | CAREY |
| 227 | F02 | 45100-LEA-000-SO | FR.CALIPER ASSY(S-421S) | 45100-LEA-010-SO | FR.CALIPER ASSY(S-421S) | 2010/12/21 | 2011/1/31 | DESIGN CHANGE(25-1791) | CAREY |
| 228 | F02 | 45100-LEA-000-RY | FR.CALIPER ASSY(R-100C) | 45100-LEA-010-RY | FR.CALIPER ASSY(R-100C) | 2010/12/21 | 2011/1/31 | DESIGN CHANGE(25-1791) | CAREY |
| 229 | F02 | 43100-LEA-000-SO | RR.CALIPER ASSY(S-421S) | 43100-LEA-010-SO | RR.CALIPER ASSY(S-421S) | 2010/12/21 | 2011/1/31 | DESIGN CHANGE(25-1791) | CAREY |
| 230 | F02 | 43100-LEA-000-RY | RR.CALIPER ASSY(R-100C) | 43100-LEA-010-RY | RR.CALIPER ASSY(R-100C) | 2010/12/21 | 2011/1/31 | DESIGN CHANGE(25-1791) | CAREY |
| 231 | F11 | 3850A-HLA-000 | ELEC RELAY ASSY | 3850A-HLA-010 | ELEC RELAY ASSY | 2010/11/23 | 11.02.2011 | DESIGN CHANGE(25-1786) | CAREY |
| 232 | F15 | 35100-A8D-010 | COMB. SW. & LOCK ASSY | 35100-A8D-100 | COMB. SW. & LOCK ASSY | 27.10.2010 | 22.03.2011 | DESIGN CHANGE(25-1775) | CAREY |
| 233 | E09 | 22121-RB1-000-A | WEIGHT ROLLER COMP(6PCS)(18G) | 22121-RB1-001-A | WEIGHT ROLLER COMP(6PCS)(18G) | | 2011/7/27 | REVISED | CAREY |
| 234 | F14 | 33740-LEA-000 | LICENSE LIGHT ASSY | 33740-LEA-010 | LICENSE LIGHT ASSY | 27.04.2011 | 09.09.2011 | DESIGN CHANGE(25-1846) | MOON |
| 235 | E07 | 15421-M9Q-000 | OIL FILTER SCREN | 15421-H66-000 | OIL FILTER SCREN | 28.01.2011 | 30.09.2011 | DESIGN CHANGE(25-1821) | MOON |
| 236 | E06 | 96001-06010-08 | FLANGE BOLT SH 6X10 | 96001-06012-08 | FLANGE BOLT SH 6X10 | 06.01.2010 | 13.10.2011 | DESIGN CHANGE(25-1672) | MOON |
| 237 | F03 | | | 19505-REA-000 | HOSE CLAMP | 26.04.2010 | 14.10.2011 | ADD(25-17091) | MOON |
| 238 | E06 | 11100-LEA-000 | R CRANK CASE COMP | 11100-LEA-010 | R CRANK CASE COMP | 23.06.2011 | 08.11.2011 | DESIGN CHANGE(25-1872) | MOON |
| 239 | E08 | 11200-LEA-000 | L CRANK CASE COMP | 11200-LEA-010 | L CRANK CASE COMP | 23.06.2011 | 08.11.2011 | DESIGN CHANGE(25-1872) | MOON |
| 240 | E06 | 11191-LEA-000 | CRANK CASE GASKET | 11191-LEA-010 | CRANK CASE GASKET | 23.06.2011 | 08.11.2011 | DESIGN CHANGE(25-1872) | MOON |
| 241 | F10 | 77100-LEA-100 | DOUBLE SEAT ASSY | 77100-LEA-200 | DOUBLE SEAT ASSY | 20.07.2011 | 06.12.2011 | DESIGN CHANGE(25-1878) | MOON |
| 242 | F19 | | | 43124-LEA-000 | RR.BRAKE HOSE A COMP | | 21.12.2011 | ADD | SAM |
| 243 | F19 | | | 43125-LEA-000 | RR.BRAKE HOSE B COMP | | 21.12.2011 | ADD | SAM |
| 244 | F19 | | | 45124-LEA-000 | FR.BRAKE HOSE A COMP | | 21.12.2011 | ADD | SAM |
| 245 | F19 | | | 45125-LEA-000 | FR.BRAKE HOSE B COMP | | 21.12.2011 | ADD | SAM |
| 246 | F19 | | | 46300-LEA-000 | CBS CONTROL VALVE ASSY | | 21.12.2011 | ADD | SAM |
| 247 | F19 | | | 46301-HMA-000 | T-SCREW | | 21.12.2011 | ADD | SAM |
| 248 | F19 | | | 46302-HMA-000 | BLEEDER SCREW | | 21.12.2011 | ADD | SAM |
| 249 | F19 | | | 46303-HMA-000 | BLEEDER SCREW CAP | | 21.12.2011 | ADD | SAM |
| 250 | E07 | 15421-H66-000 | OIL FILTER SCREN | 15421-B9D-000 | OIL FILTER SCREN | 27.07.2011 | 01.02.2012 | DESIGN CHANGE(25-1884) | MOON |
| 251 | F06 | | | 51410-LEA-000 | FR.CUSHION PIPE | | 09.03.2012 | ADD | MOON |
| 252 | F18 | 18310-LEB-300 | MUFFLER COMP | | MUFFLER COMP | | 27.03.2012 | DEL | WINNI |
| 253 | F11 | 50100-LEA-020 | FRAME BODY COMP(BK-001C) | 50100-LEA-100 | FRAME BODY COMP(BK-001C) | 07.06.2011 | 18.05.2012 | DESIGN CHANGE(25-1865) | WINNI |
| 254 | F06 | | | 87124-LEA-000 | FR. FENDER EMBLEM(CBS) | | 21.06.2012 | ADD | NICOLE |
| 255 | F15 | 31600-LEA-000 | REG REC ASSY | 31600-LEA-010 | REG REC ASSY | 08.12.2011 | 25.06.2012 | DESIGN CHANGE(25-1932) | WINNI |
| 256 | F10 | 87123-TFL-000 | S-LOGO 30MM(POLY) | 87123-LEA-000 | S-LOGO 30MM(POLY) | 2011/8/30 | 2012/7/26 | DESIGN CHANGE(25-1889) | WINNI |
| 257 | F04 | 87123-TFR-000 | S-LOGO 40MM(POLY) | 87123-LVG-000 | S-LOGO 40MM(POLY) | 2011/8/30 | 2012/7/30 | DESIGN CHANGE(25-1889) | WINNI |
| 258 | F12 | | | | | | 30.10.2012 | 圖面及料號變更 | NICOLE |
| 259 | F12 | | | 17581-HMA-000 | FUEL CUT VALVE(LIYANG) | | 30.10.2012 | ADD | NICOLE |
| 260 | F12 | | | 17585-LEA-000 | TANK-FCV TUBE | | 30.10.2012 | ADD | NICOLE |
| 261 | F12 | | | 37804-LEA-000 | FUEL UNIT STAY | | 30.10.2012 | ADD | NICOLE |
| 262 | F12 | | | 93903-HGC-000 | TAPPING SCREW | | 30.10.2012 | ADD | NICOLE |
| 263 | F12 | 94050-06070 *4 | FLANGE NUT 6MM | 93404-06012-07 *6 | WASHER BOLT 6X12 | | 30.10.2012 | QTY REVISED | NICOLE |
| 264 | F12 | 93903-34320 *2 | TAPPING SCREW 4X12 | 93903-34320 *1 | TAPPING SCREW 4X12 | | 30.10.2012 | QTY REVISED | NICOLE |
| 265 | F11 | | | 50308-HMA-000 | STRG STEM WASHER | | 07.12.2012 | ADD | NICOLE |
| 266 | F11 | | | 53220-HMA-000 | STEERING HEAD TOP THREAD COMP | | 07.12.2012 | ADD | NICOLE |
| 267 | F05 | | | 81146-LEA-000 | INNER BOX SEAL | 2008/10/1 | 2013/4/3 | ADD(26-09931) | MOON |
| 268 | F12 | 1670A-LEA-000 | FUEL PUMP ASSY | 1670A-LEA-100 | FUEL PUMP ASSY | 14.05.2009 | 29.07.2013 | DESIGN CHANGE(25-1505) | NICOLE |

