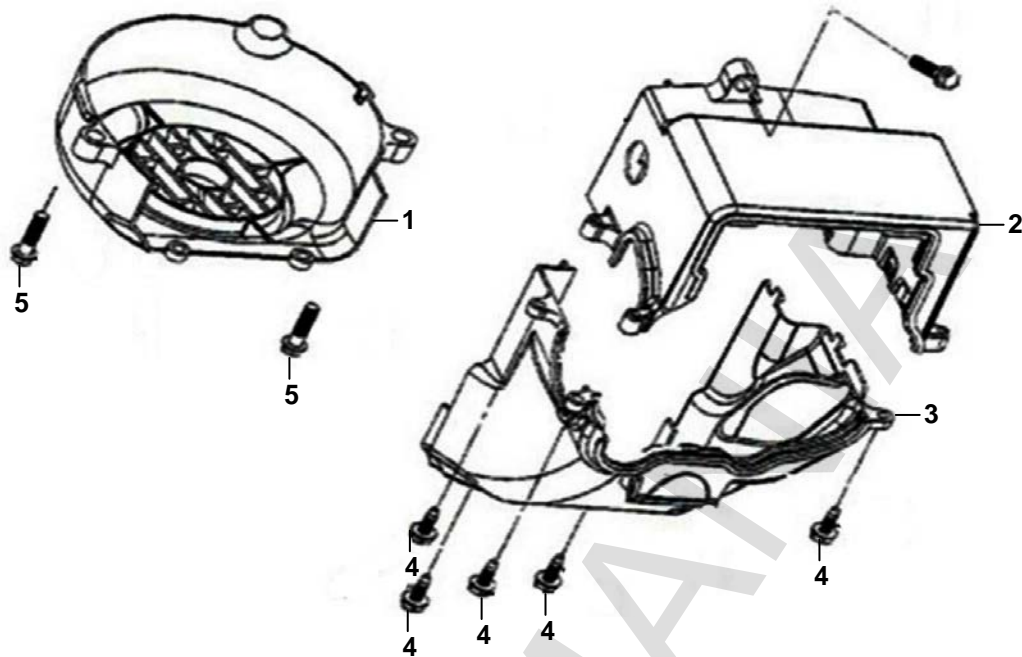
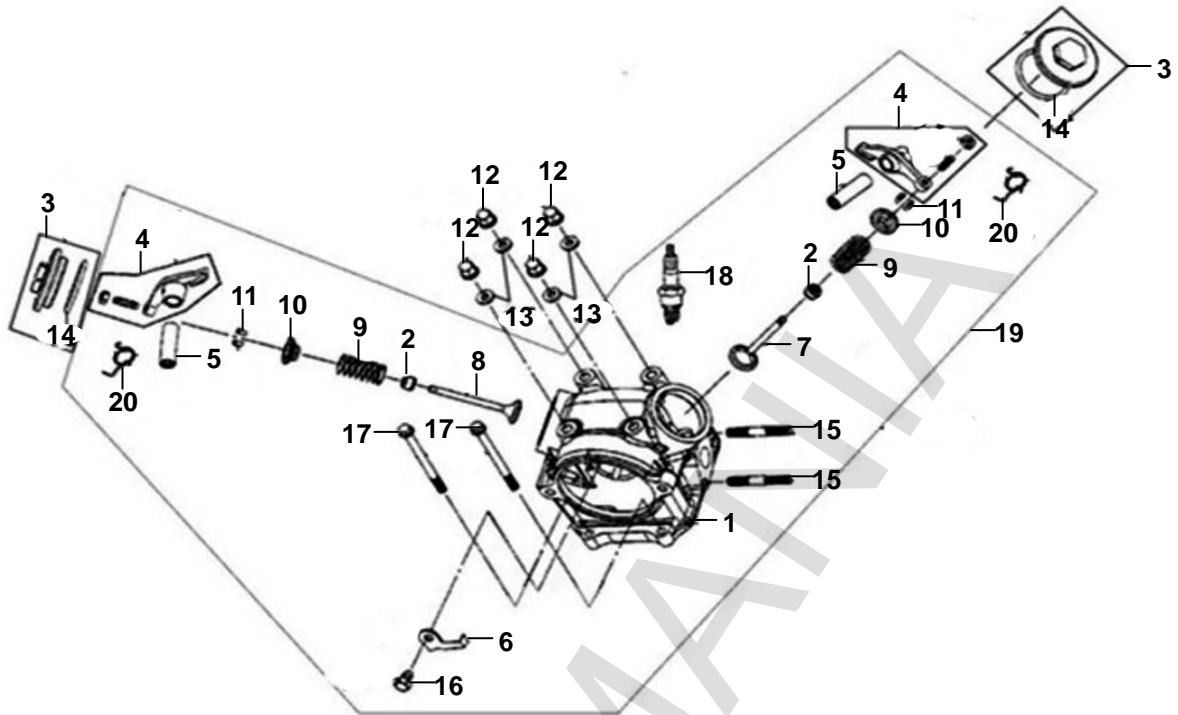


E-01 SHROUD ASSY



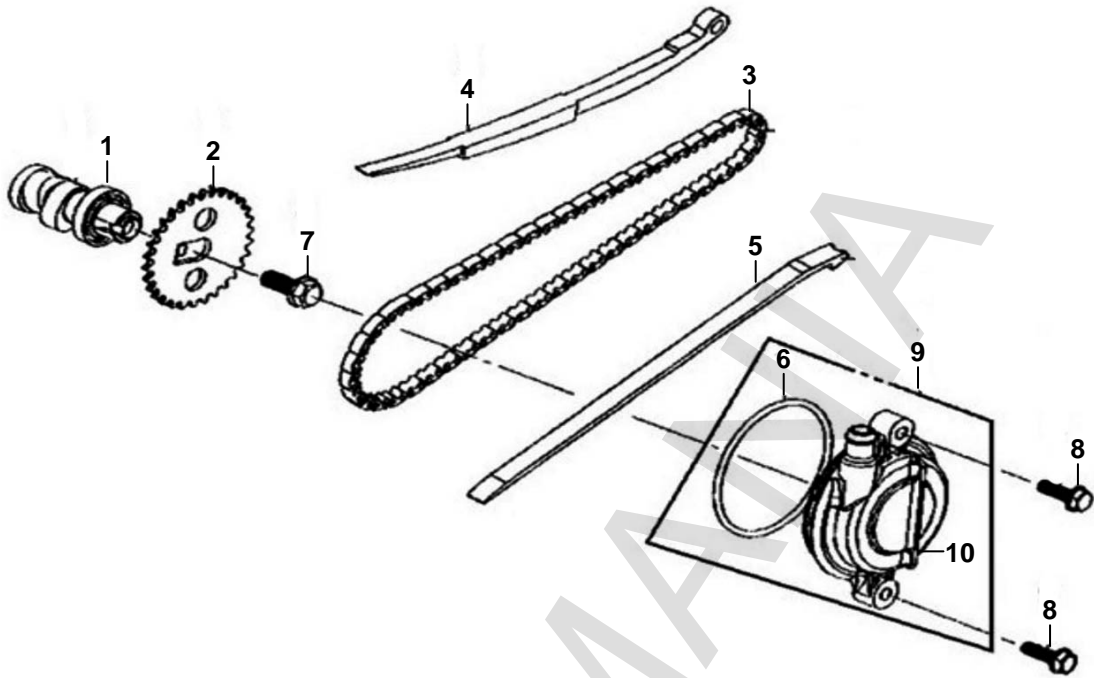
Ref. No	Part Number	Description	Reqd. No.
1	19610-AMA-0000	Fan cover COMP	1
2	1962A-APA-0000	Shroud A ASSY	1
3	1963A-AWA-0000	Shroud B ASSY	1
4	93904-35380	Tap screw 5X16	5
5	96001-06020-02	Flange bolt SH 6X20	3

E-02 CYLINDER HEAD



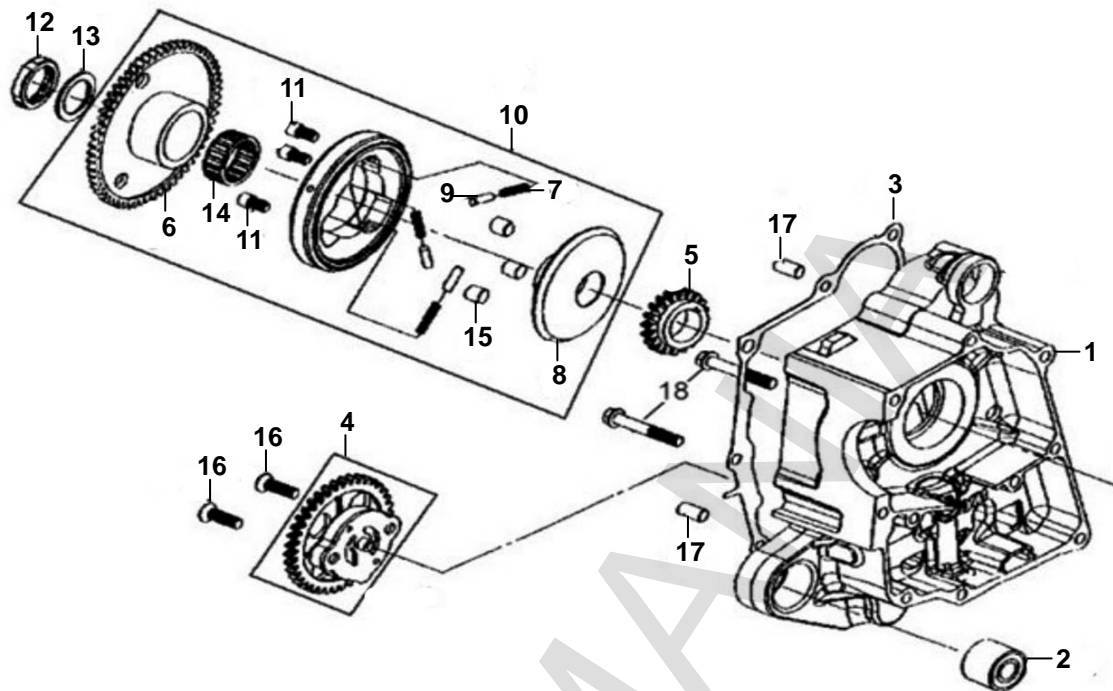
Ref.No	Part Number	Description		Reqd. No.
1	12200-AMA-0006	Cylinder head COMP.	汽缸頭	1
2	12209-H6B-9000	Valve stem seal	氣門桿油封	2
3	1236A-A31-0002	Tappet ADJ. hole cap ASSY	汽門調整孔蓋總成	2
4	1443A-AGB-0000	Valve rocker arm ASSY.	門閥搖臂總成	2
5	14451-M8Q-0000	Rocker arm shaft	門閥搖臂軸	2
6	14457-A1A-0000	Cam shaft setting plate	固定片	1
7	14711-AGB-0001	Inlet valve	進氣門閥	1
8	14721-AGB-0000	Exhaust valve	排氣門閥	1
9	14751-H6B-0005	Valve outer spring	外門閥彈簧	2
10	14771-H6T-0000	IN. valve spring retainer	內門閥彈簧座	2
11	14781-M9Q-0000	Valve cotter set(1SET/4PCS)	門閥栓組(4PCS 一組)	1
12	90201-X01-0000	Cap nut 6MM	螺帽 6MM	4
13	90443-X01-0001	Sealing washer 6MM	油封墊圈 A 6MM	4
14	91303-A31-0001	O-ring 41X2.6	油環 41X2.6	2
15	92900-06050-0E	STUD bolt 6X50	雙頭螺栓(白鋅) 6X50	2
16	96001-06010-07	SH flange bolt 6X10	緣面螺栓 6X10	1
17	96001-06080-02	Flange bolt SH 6X80	緣面螺栓(白鋅)6X80	2
18	98056-56717-00	Plug CR6HSA	CR6HSA 火星塞	1
19	1220A-AWA-0005	Cylinder head ASSY.	汽缸頭總成	1
20	14439-A1A-0000	Rocker arm torsion spring	搖臂回復彈簧	2

E-03 CAM SHAFT&CYL. HEAD L. SIDE COVER



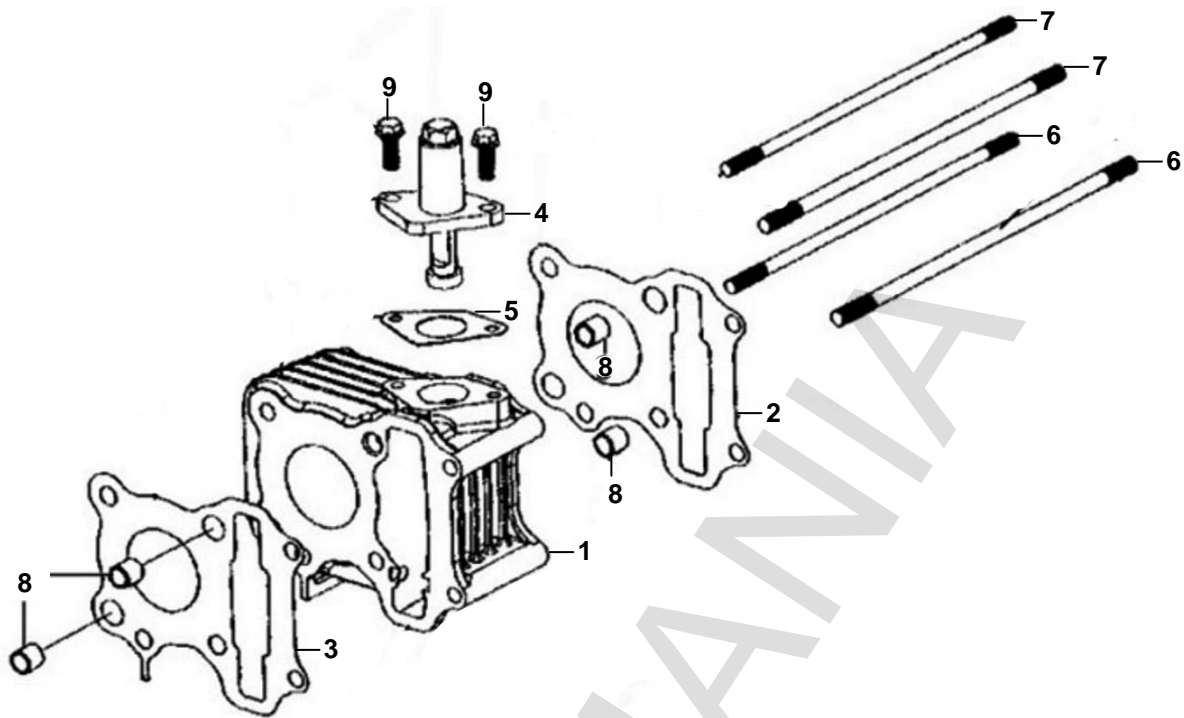
Ref. No	Part Number	Description		Reqd. No.
1	14100-AGB-0000	Cam shaft COMP	凸輪軸	1
2	14321-A1A-0003	Cam sprocket	凸輪軸齒輪	1
3	14401-A1A-0001	Cam chain	凸輪軸鏈條/78LE	1
4	14510-A1A-0000	Cam chain tensioner	凸輪鏈條張力器	1
5	14610-A1A-0000	Cam chain guide COMP	凸輪鏈條導件	1
6	91301-A1A-0000	O-ring 67X2.5	油環 67X2.5	1
7	95701-08016-08	Flange bolt 8X16	螺絲 8X16	1
8	95801-06022-07	Flange bolt 6X22	緣面螺栓 6X20	2
9	12300-APA-0000	CYL. head L. side cover ASS'Y	汽缸頭左側蓋	1
10	12310-APA-0000	CYL. head L. side cover COMP.	汽缸頭左側蓋組	1

E-04 R CRANK CASE&OIL PUMP ASSY



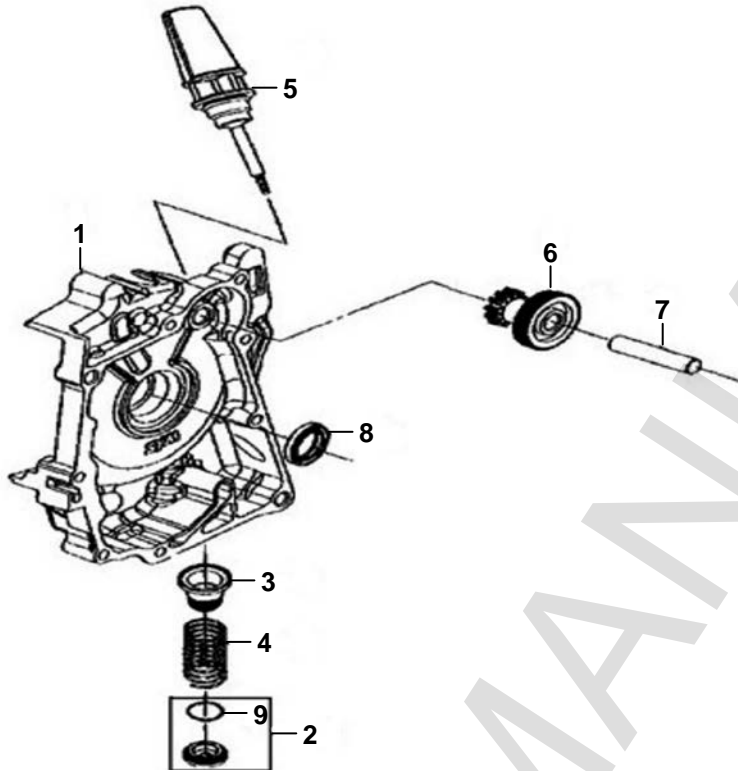
Ref. No	Part Number	Description	Reqd. No.
1	11100-AMA-0003	R. crank case COMP	1
2	11102-A1A-3000	ENG. hanger rub. bush	1
3	11394-AMA-0000	R. crank case cover gasket	1
4	15100-ATA-0000	Oil pump ASSY	1
5	15131-A1A-0001	Oil pump drive gear	1
6	28110-A3F-0000	Starting clutch gear COMP	1
7	28124-M9Q-0000	Start. clutch roller SPG.	3
8	28125-A1A-0000	Starting clutch flange	1
9	28126-M9Q-0000	Starting roller spring cap	3
10	2812A-A1A-0003	Start clutch outer ASSY	3
11	90002-M9Q-0001	Socket bolt 6X10	3
12	90201-A3F-0000	Lock nut 20MM	1
13	90403-A3F-0000	Thrust washer 20.2X31X1.5	1
14	91104-M9Q-0000-M2	Needle BRG.K28X32X17SV1	1
15	91105-M9Q-0002	Roller	3
16	93600-06025-0H	Flat screw 6X25	2
17	94301-08140	Dowel pin 8X14	2
18	96001-06045-02	Flange bolt 6X45	2

E-05 CYLINDER



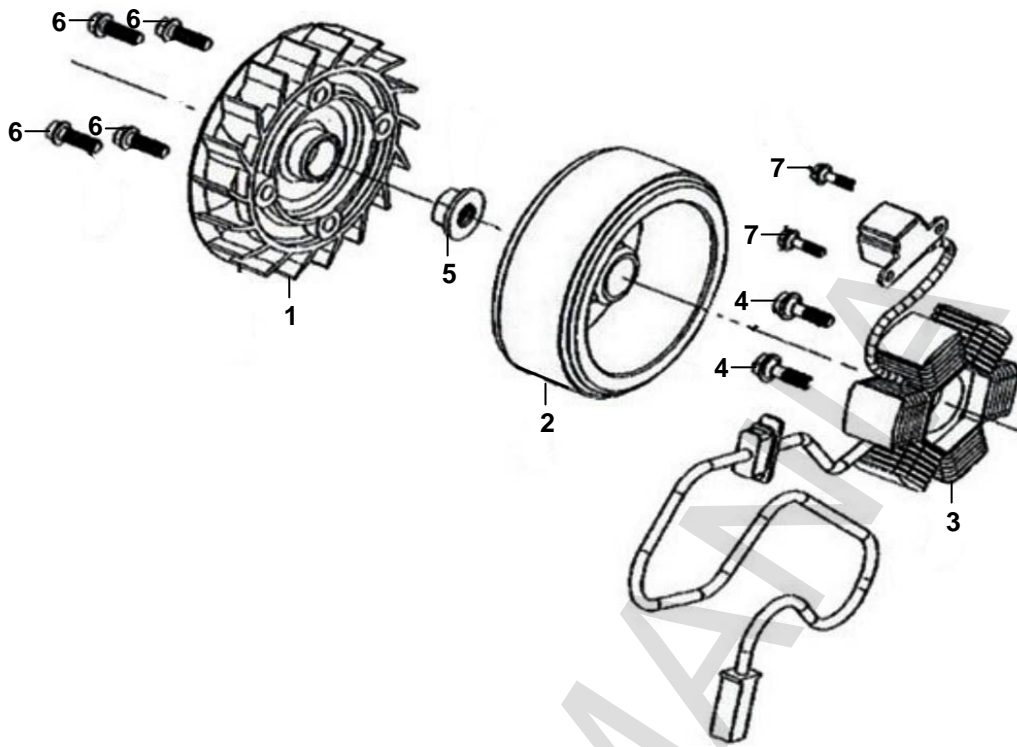
Ref. No	Part Number	Description		Reqd. No.
1	12101-AMA-0003	Cylinder COMP	汽缸單體	1
2	12191-AWA-0000	Cylinder gasket	汽缸墊片	1
3	12251-A1A-0001	Cylinder head gasket	汽缸頭墊片	1
4	14520-BE2-A000	Tensioner lifter ASSY	張力器桿總成	1
5	14555-AMA-0001	Cam chain adjuster gasket	鏈條調整墊片	1
6	90031-A1A-0002	Cylinder stud bolt A	雙頭螺栓 A	2
7	90032-A1A-0001	Cylinder stud bolt B	雙頭螺栓 B	2
8	90703-M8Q-0003	Dowel pin 10X14	固定梢 10X14	4
9	96001-06016-00	Flange bolt SH 6X16	螺絲 6X16	2

E-06 R. CRANK CASE COVER



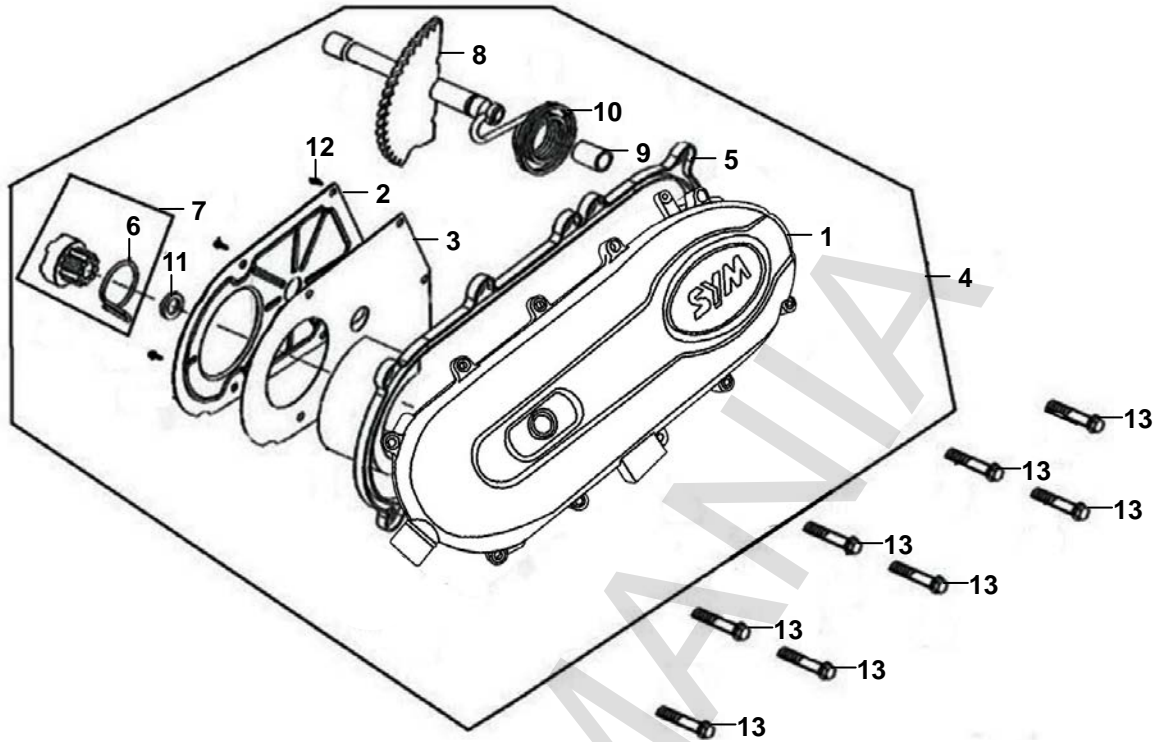
Ref. No	Part Number	Description		Reqd. No.
1	11331-APA-0000	R. crank case cover	右曲軸箱蓋	1
2	1236A-A31-0002	Tappet adj hole cap ASSY	汽門調整孔蓋總成	1
3	15421-H66-0000	Oil filter scren	機油濾網	1
4	15426-M9Q-0000	Oil filter screw SPG.	濾油網彈簧	1
5	1565A-A1A-0002	Oil level gauge ASSY	機油尺組	1
6	28101-A1A-0002	Start reduction gear	起動減速齒輪	1
7	28102-A3F-0000	Start reduction gear shaft	起動減速齒輪軸	1
8	91201-A31-0000	Oil seal 17X30X5	油封 17X30X5	1
9	91302-M9Q-0000	O-ring 30.8MM	油環 30.8MM	1

E-07 AC GEN. ASSY



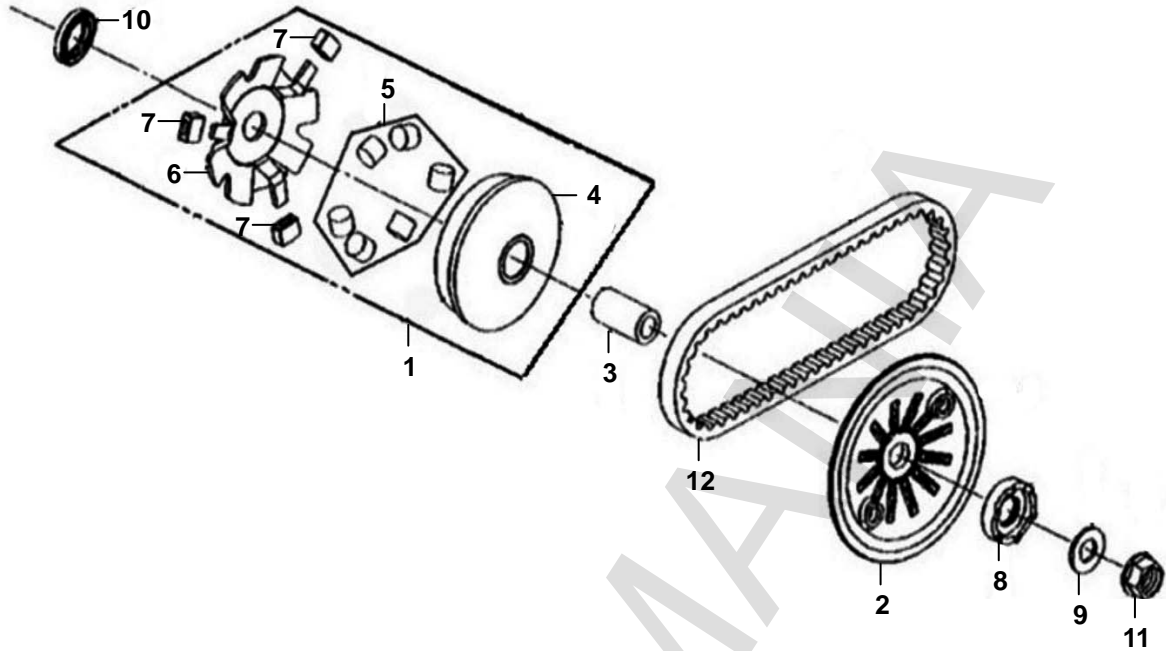
Ref. No	Part Number	Description		Reqd. No.
1	19510-A1A-0003	Cooling fan COMP	冷卻風扇	1
2	31110-AMA-0001	Fly wheel COMP	交流發電機飛輪	1
3	31120-AAA-A000-E2	Stator COMP	發電線圈	1
4	92101-05012-0H	Hex bolt 5X10	六角螺栓(五彩)5X10	2
5	94050-10000	Flange nut	螺帽	1
6	95701-06016-02	Flange bolt 6X16	緣面螺栓(白鋅)6X16	4
7	96001-06020-02	Flange bolt SH 6X20	緣面螺栓(白鋅)6X20	2

E-08 L. CRANK CASE COVER



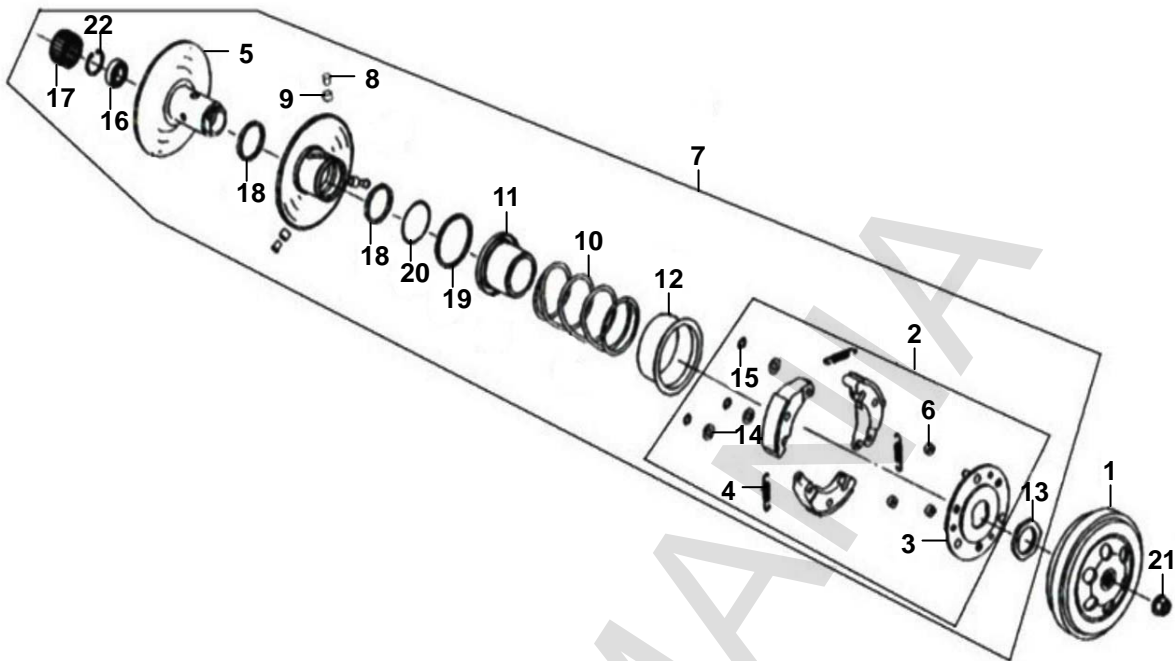
Ref. No	Part Number	Description	Reqd. No.
1	11341-AWA-0000	L. crank case cover	1
2	11342-AMA-0000	L side cover plate	1
3	11343-AMA-0000	L. cover plate gasket	1
4	1134A-AWA-0002	L crank case cover ASSY	1
5	11395-AMA-0000	L. crank case cover gasket	1
6	28223-KBN-900A	Kick driven gear SPG.	1
7	2823A-A1A-0001	Kick driven gear ASSY.	1
8	28250-A1A-0102	Kick starter spindle COMP	1
9	28253-M7Q-0000	Kick spindle bush	1
10	28281-A1A-0000	Kick return spring	1
11	90412-M7Q-0000	Thrust washer 10MM	1
12	93500-05012-0H	Pan screw 5X12	6
13	96001-06032-02	Flange sh bolt 6X32	8

E-09 MOVABLE DRIVE FACE ASS'Y



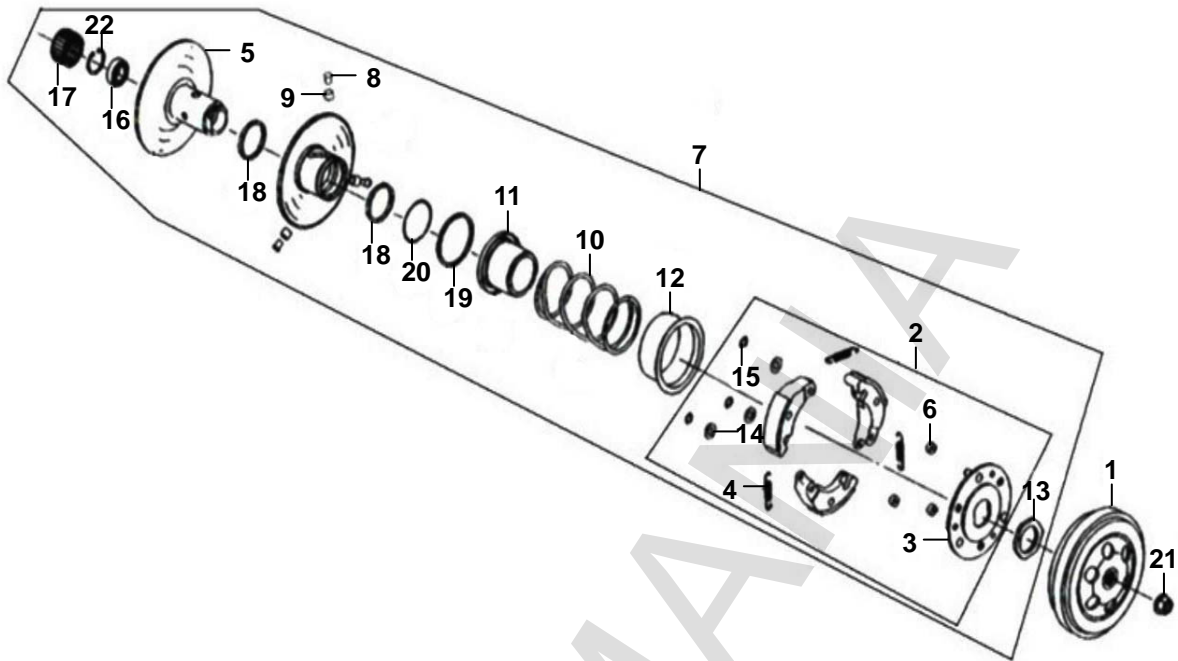
Ref. No	Part Number	Description		Reqd. No.
1	22000-AMA-0001	Movable drive face ASSY.	滑動驅動盤總成	1
2	22102-A1A-0100	Drive face	驅動盤	1
3	22105-A1A-0001	Drive face boss	驅動盤輪轂	1
4	22110-AMA-0001	Movable drive face COMP	滑動驅動盤	1
5	22121-A30-0001	Weight roller(5.9g)	重垂滾子	1
6	22131-A1A-0002	Ramp plate	中樞導體	1
7	22132-A1A-0001	Slide piece set	滑動片	1
8	28211-KBN-9000	Kick starter ratche	起動齒輪 #58	1
9	90426-KBN-9000	Special washer	特殊華司	1
10	91202-A01-A000	Oil seal 18.9X30X5	油封 18.9X30X5	1
11	94001-12200-0S	Hex nut 12MM	六角螺帽 12MM	1
12	23100-AMA-0000	Drive belt	皮帶	1

E-10 DRIVEN PULLEY ASS'Y



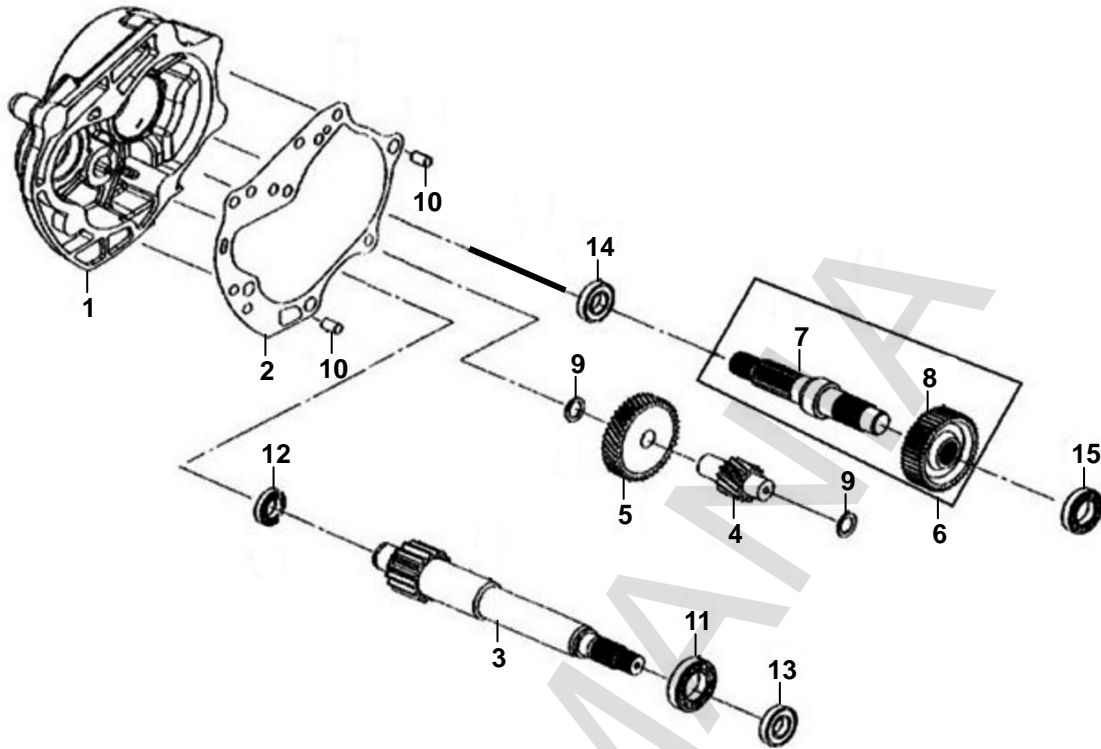
Ref. No	Part Number	Description		Reqd. No.
1	22100-M5Q-0000	Clutch outer COMP.	離合器外套	1
2	22300-AWA-0000	Weight set	離合器配重組	1
3	22350-A1A-0001	Clutch drive plate	離合器驅動板	3
4	22401-M5Q-0000	Clutch spring	離合器彈簧	3
5	23210-A1A-0001	Driven face COMP	傳動盤	1
6	22804-A3A-0000	Clutch damper rubber	離合器橡皮	1
7	23010-AWA-0000	Driven pulley ASSY.	驅動盤總成	1
8	23225-GW3-0000	Roller guide pin	導梢	3
9	23226-GW3-0000	Roller guide	導輪	3
10	23233-M7Q-0000	Driven face spring	傳動盤彈簧	1
11	23237-A31-0001	Seal collar	軸環油封	1
12	23238-M7Q-0000	Spring collar	彈簧軸環	1
13	90202-M9Q-0000	Special nut 28MM	特殊螺帽 28MM	1
14	90442-M7Q-0000	Thrust washer 6MM	止推墊圈 6MM	3
15	90603-M7Q-0000	CIR. clip 6MM	環夾 6MM	1
16	91002-A3A-3000-M1	Ball bearing 6901LUC3	軸承 6901LUC3	1
17	91103-M7Q-0001	Needle BERG. 17*25*18 WS	滾針軸承	1
18	91211-A3A-0000	Oil seal 34X39X3	驅動盤油封 34X39X3	2
19	91302-A3A-0000	O-ring 39.8X2.2(C II)	油環 39.8X2.2(C II)	1
20	91351-642-000A	O-ring 36*1.5	油環 36*1.5	1

E-10-1 DRIVEN PULLEY ASS'Y



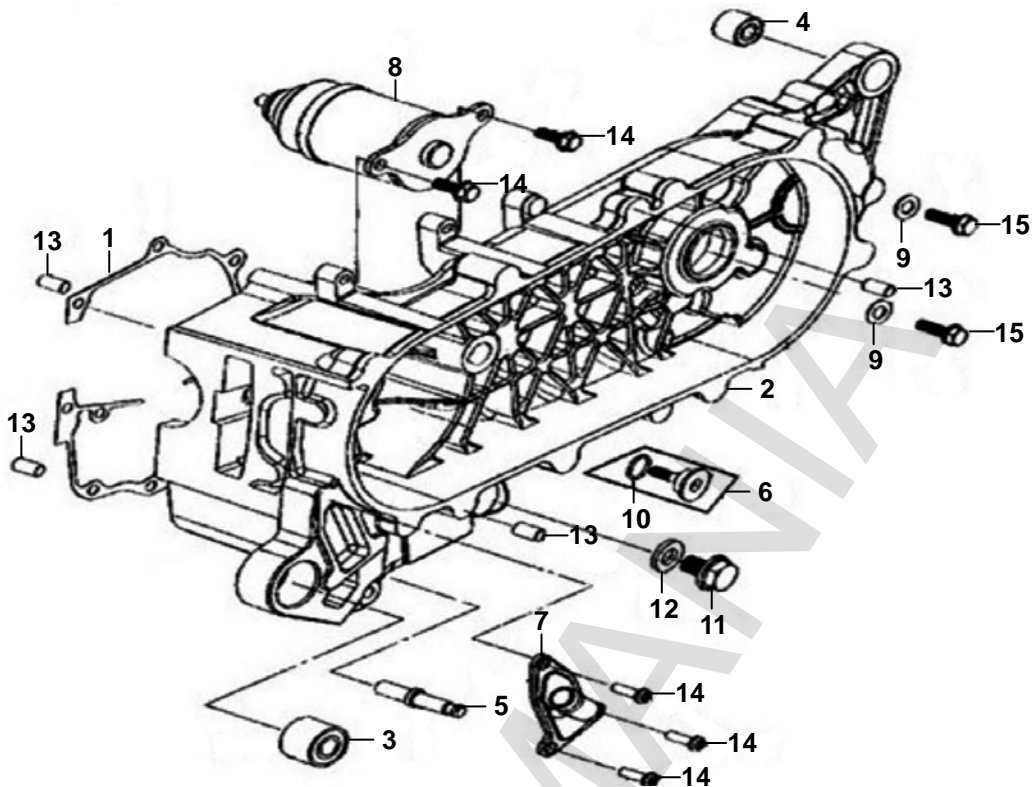
Ref. No	Part Number	Description		Reqd. No.
21	94050-10000	Flange nut	螺帽	1
22	94520-24000	IN. cir-clip 24MM	內環夾 24MM	1

E-11 MISSION CASE&DRIVE SHAFT



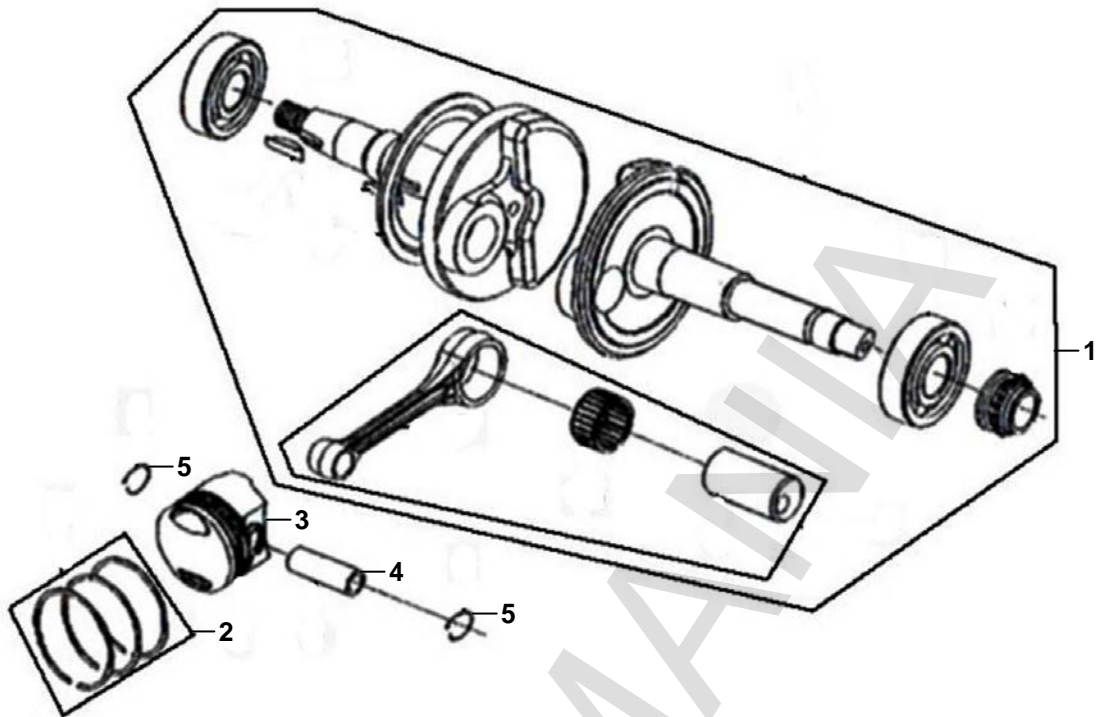
Ref. No	Part Number	Description	Reqd. No.
1	21301-BE2-A003	Mission case COMP	1
2	21395-BE2-A000	Mission case gasket	1
3	23411-AMA-0000	Drive shaft	1
4	23421-BE2-A000	Counter shaft	1
5	23422-BE2-0000	Counter gear	1
6	2343A-BE2-A000	Final shaft COMP.	1
7	23431-BE2-A000	Final shaft	1
8	23432-BE2-3000	Final gear	1
9	94510-20000	Cir clip	2
10	90703-M8Q-0003	Dowel pin 10X14	2
11	91004-KBN-9210-M1	Ball radial bearing 6203	1
12	91006-A1A-3000	Ball radial BRG CSB201 C3	1
13	91206-AMA-0000	Oil seal 17X30X5(C2)	1
14	91255-GE0-0030-M1	Oil seal 27X42X7	1
15	96100-62030-00	Ball radial bearing 6203	1

E-12 L. CRANK CASE



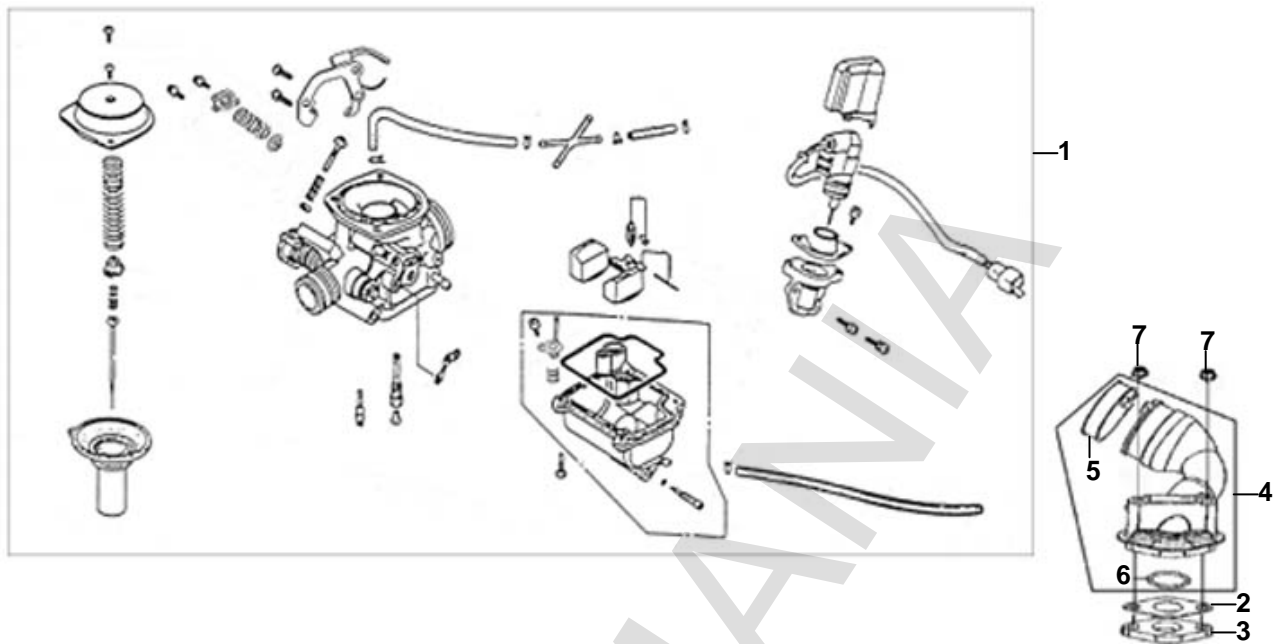
Ref. No	Part Number	Description	Reqd. No.
1	11192-AMA-A000	Crank case gasket	1
2	11200-AWA-0005	L crank case COMP	1
3	11202-A1A-3000	L bush 47MM	1
4	11203-M9Q-3000	RR. cushion rubber bush	1
5	11204-ABA-0000	Pin SPR. hook	1
6	1453A-AWA-0000	Cam chain TNSR. pivot ASSY	1
7	15500-AMA-0100	Reed valve COMP	1
8	31200-ATA-0000	Start motor ASSY	1
9	90474-333-0000	Washer A 8MM	2
10	91304-M36-0000	O-ring 15.2*1.5	1
11	92800-12000	Drain plug bolt 12MM	1
12	94109-12000	Drain plug washer 12MM	1
13	94301-08140	Dowel pin 8X14	4
14	95701-06016-02	Flange bolt 6X16	5
15	95701-08016-08	Bolt flange 8X16	2

E-13 CRANK SHAFT



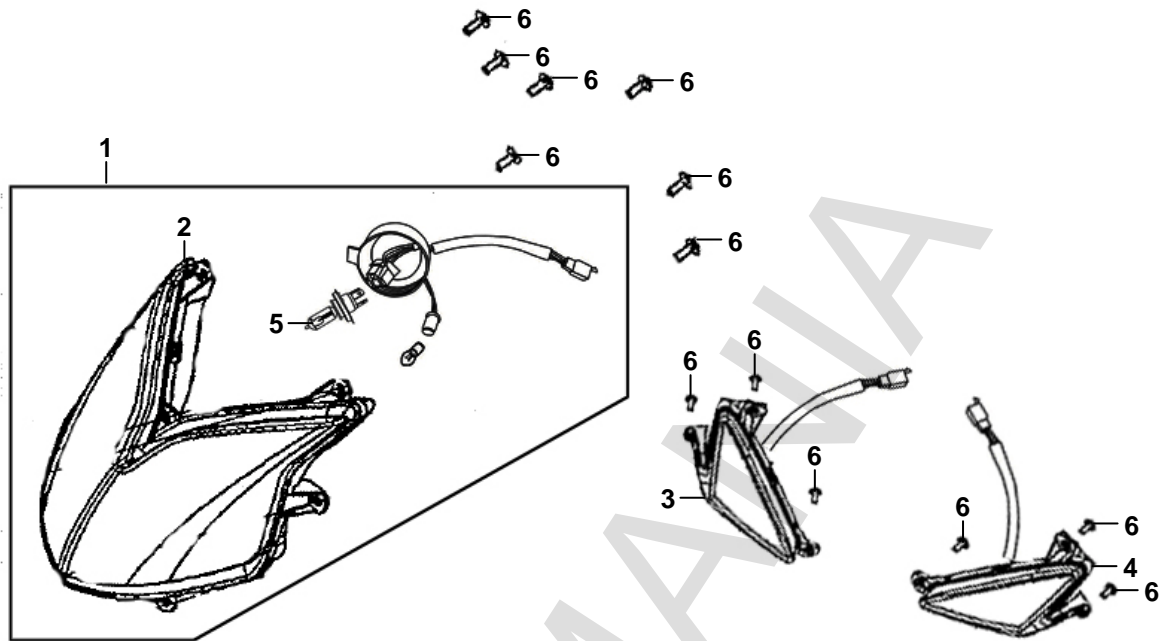
Ref. No	Part Number	Description	Reqd. No.
1	13000-AMA-0001	Crank shaft COMP	1
2	13010-A1A-0000	Piston ring set	1
3	13101-A1A-0001	Piston	1
4	13111-AMA-0000	Piston pin	1
5	13115-147-0000	Piston pin clip	2

E-14 CARBURETOR



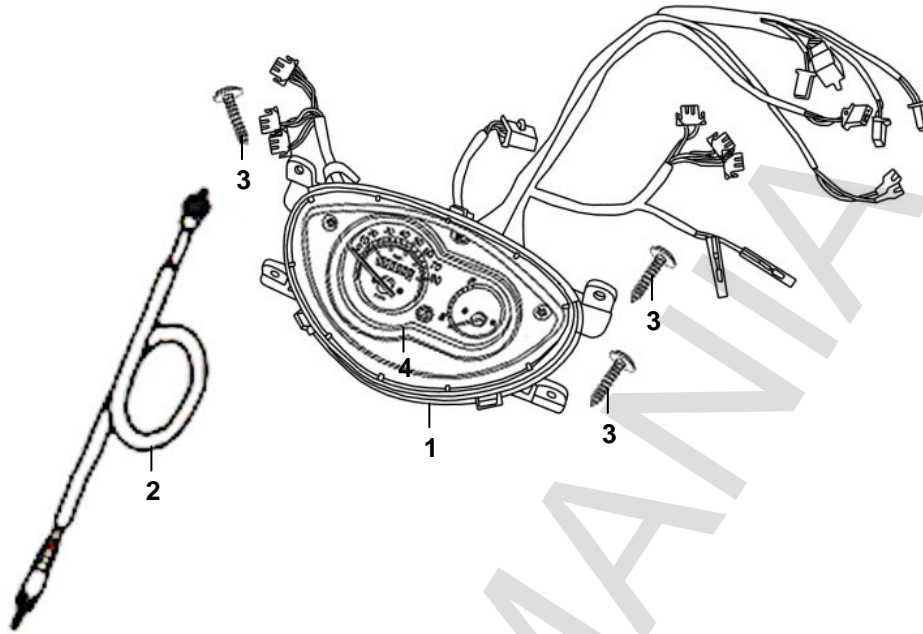
Ref. No	Part Number	Description		Reqd. No.
1	16100-AWA-0100	Carburetor ASS'Y	化油器总成	1
2	16201-AWA-0000	CARB. insulator gasket	化油器絕熱板緣片	1
3	16211-AGB-0001	CARB. insulator	化油器絕緣片	1
4	1711A-AMA-0000	Inlet pipe ASSY.	進氣管總成	1
5	90652-G03-0000	CARB./inlet pipe band40mm	化油器進氣歧管束帶	1
6	91304-M36-0000	O-ring 23X1.9	油環 23X1.9	1
7	94050-06000	Flange nut 6MM	緣面螺帽 6MM	2

F-01 Head Light



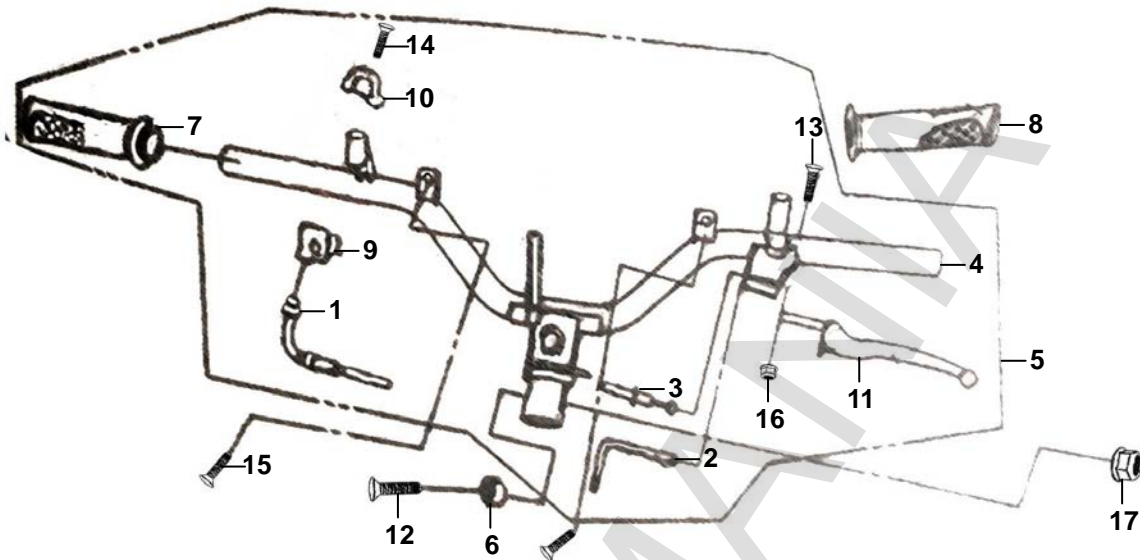
Ref. No	Part Number	Description	Reqd. No
1	33100-ATA-0200	Head light ASSY	1
2	33101-ATA-0200	Head light lens	1
3	33400-ATA-0100	FR. R winker ASSY	1
4	33450-ATA-0100	FR. L winker ASSY	1
5	34901-X06-0000	Head light bulb	1
6	93903-25280	Tapping screw 5X16	13

F-02 Speed Meter



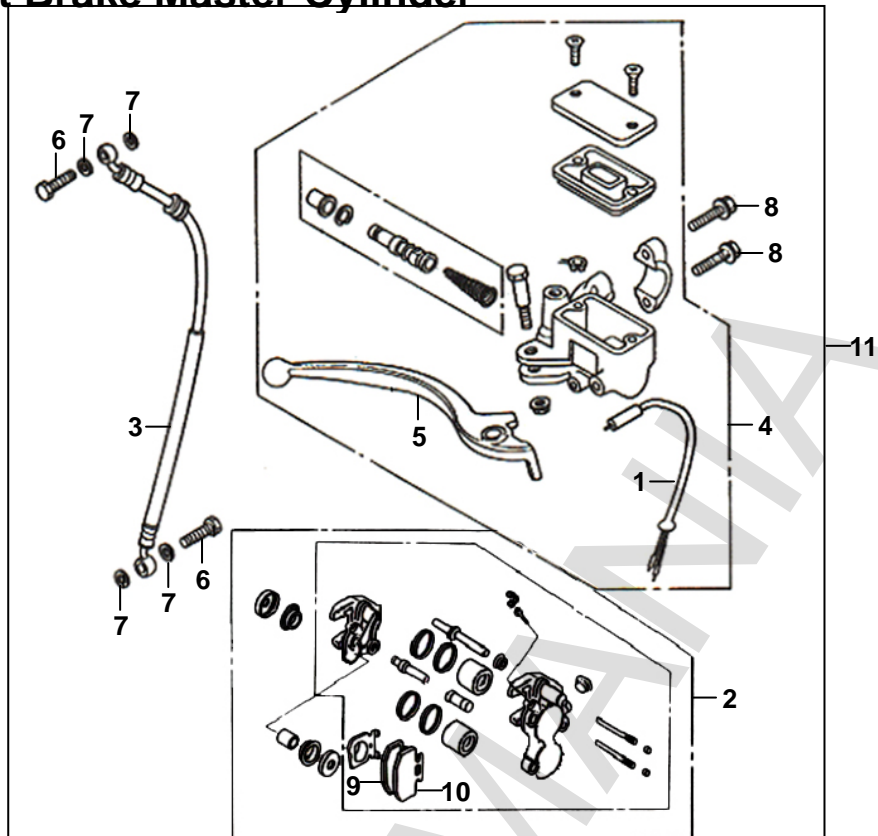
Ref. No	Part Number	Description	Reqd. No
1	37200-ATA-0003	Speedometer ASSY	1
2	44830-ABA-0001	Speedometer cable COMP	1
3	93903-25280	Tapping screw 5X16	3
4	37204-ARB-0000	Meter case	1

F-03 Cable • Switch • Handle Lever



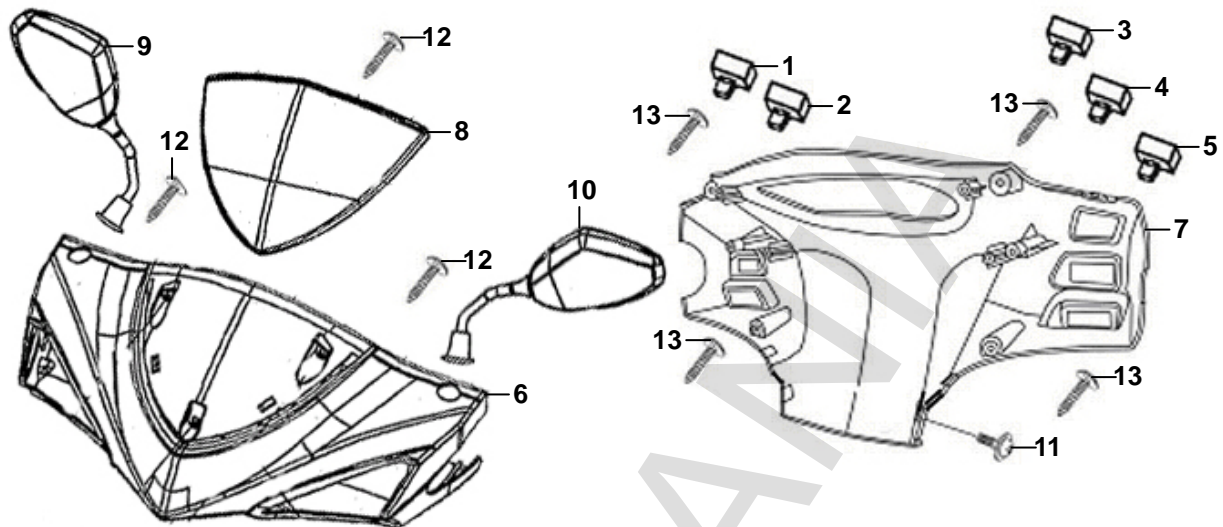
Ref. No	Part Number	Description	Reqd. No
1	17910-ATA-0002	Throt cable COMP	1
2	35340-M92-0001	FR. Stop SW. ASSY	1
3	43450-AAA-0001	RR. brake cable COMP	1
4	53100-ATA-0001	STRG. handle	1
5	5310B-ATA-0009	Handle set	1
6	53125-M9Q-0000	HNDL. set collar	1
7	53140-S1F-H001	RH. HNDL. grip	1
8	53166-S1F-H001	LH. HNDL. grip	1
9	53167-H09-9001	THROT. UND. housing	1
10	53168-H09-0001	Up throt housing	1
11	53178-T6V-0000	L. STRG. handle lever	1
12	90106-AAA-0000	Flange bolt 10X55	1
13	90115-M9Q-0000	Screw handle lever pivot	1
14	93500-05012-0H	Pan screw 5*25	1
15	93903-25280	Tapping screw 5X16	2
16	94001-12200-0S	Hex nut 5MM	1
17	90304-M9Q-0000	Flange nut 10MM	1

F-04 Front Brake Master Cylinder



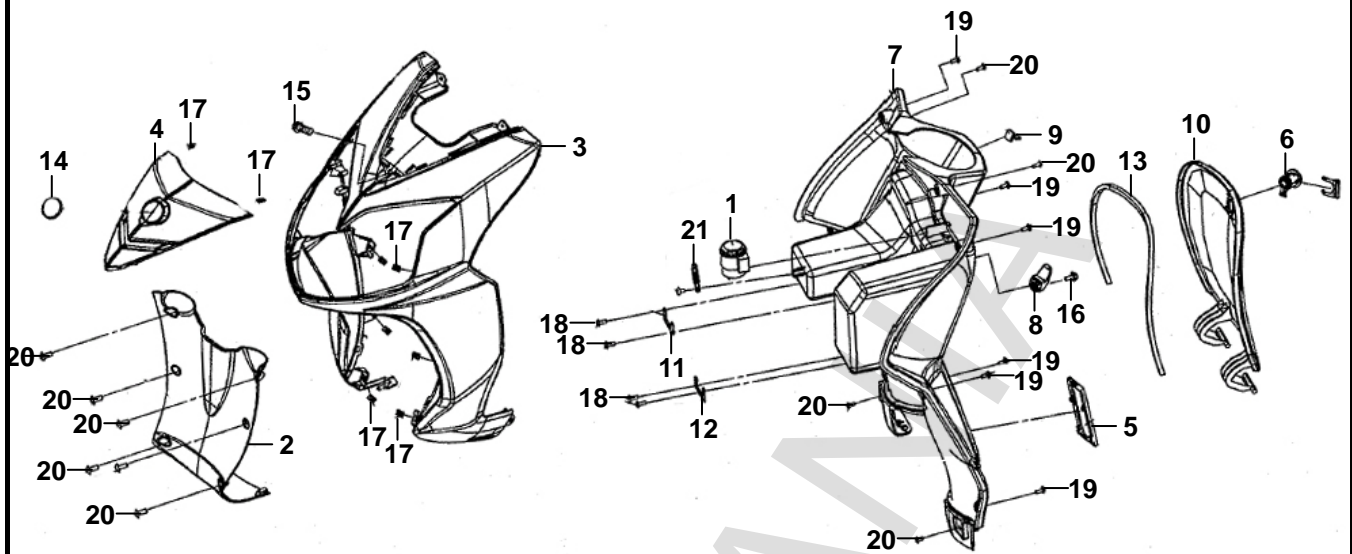
Ref. No	Part Number	Description	Reqd. No
1	35342-M9Q-0000	FR. stop SW. ASSY	1
2	45100-ATA-0000	Caliper ASSY	1
3	45126-ATA-0001	FR. brake hose ASSY	1
4	45500-AAG-0000	FR. master cylinder	1
5	53175-T6V-0000	R. Steering handle lever	1
6	90145-M9Q-0000	Oil bolt M10x22	2
7	90545-M9Q-0000	Oil bolt washer	4
8	95801-06022-07	Flange bolt 6*22	2
9	45105-APA-0000	Pad A COMP	1
10	45106-APA-0000	Pad B COMP	1
11	4550A-ATA-0002	FR. brake ASSY	1

F-06 Handle Pipe • Handle Cover



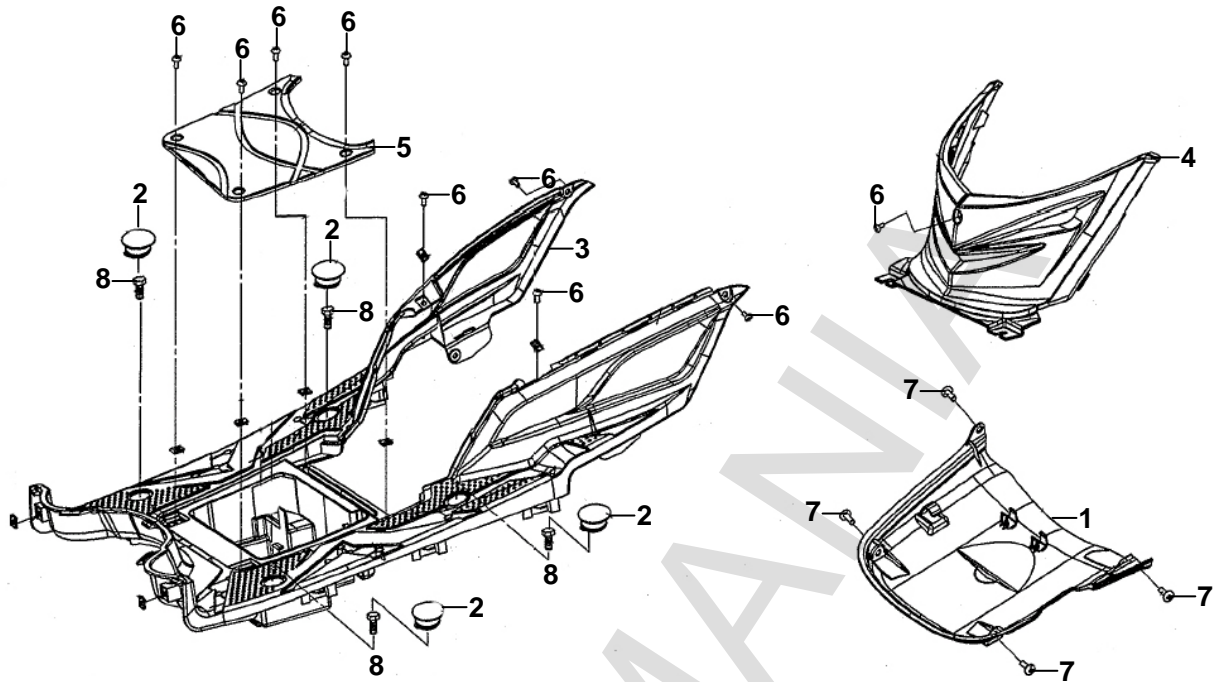
Ref. No	Part Number	Description	Reqd. No
1	35150-M9F-A000	Lighting SW. UNIT	1
2	35160-M9Q-0002	Start SW. UNIT	1
3	35170-M9Q-0002	Dimmer and open SW. UNIT	1
4	35180-M9Q-0002	Horn SW. UNIT	1
5	35200-M9Q-0001	Winker SW. UNIT	1
6	53205-ATA-0000	FR. handle cover ASSY	1
7	53206-APA-0000	RR. handle cover	1
8	53270-ATA-0000	Handle visor	1
9	88110-ANA-0000	R. back mirror ASSY	1
10	88120-ANA-0000	L. back mirror ASSY	1
11	93891-05018-07	Washer screw 5X18	1
12	93903-25280	Tapping screw 4.2X12	3
13	93903-35320	Tapping screw 5X16	4

F-07 Front Cover • Front Inner Box



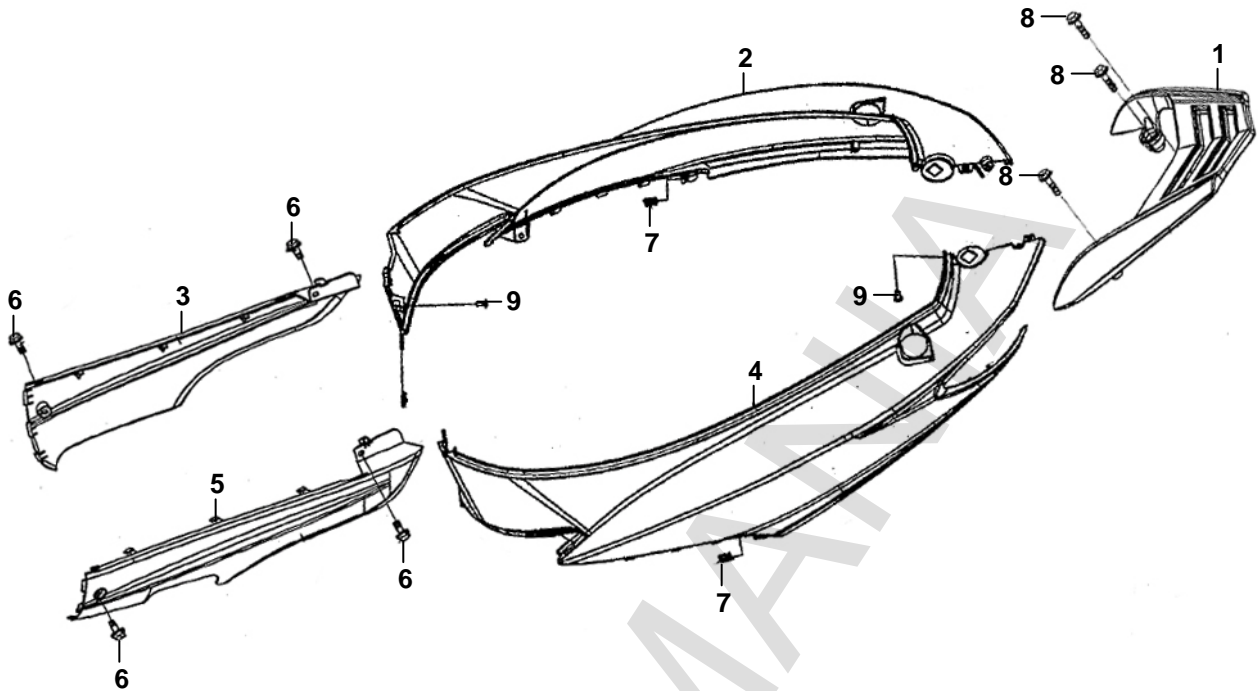
Ref. No	Part Number	Description	Reqd. No
1	38300-T40-0101	Winker relay	1
2	64300-ATA-0001	Under spoiler	1
3	64301-ATA-0002	FR cover	1
4	64302-ATA-0001	Top cover	1
5	64318-ALA-0000	Frame number lid	1
6	77233-M9Q-0000	Inner box lock ASSY	1
7	81131-ATA-0001	Inner box	1
8	81132-M7Q-0001	Luggage hook	1
9	81133-ABA-0000	Luggage stopper	1
10	81141-ATA-0000	Inner box lid	1
11	81142-APA-0000	RH. inner box lid plate	1
12	81142-APA-0000	LH. inner box lid plate	1
13	81146-APA-0000	Inner box seal	1
14	87123-ATC-0000	S logo	1
15	90110-H6T-0001	Special screw 6X14	1
16	90115-M9Q-0000	Bolt 6X16	1
17	90308-X04-0000	Spring nut 5MM	8
18	93903-34320	Tapping screw 4X12	4
19	93903-25280	Tapping screw 5X16	6
20	93903-45380	Tapping screw 5X16	10
21	94591-11000	Clip 2X100	1

F-08 Floor Panel • Center Cover



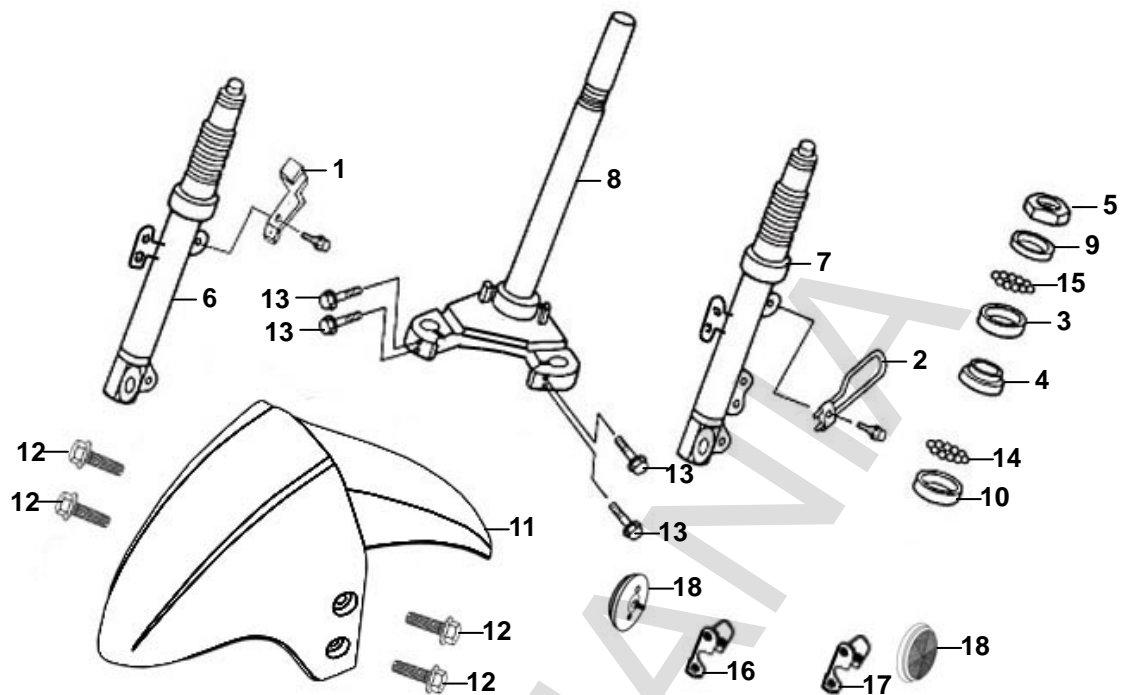
Ref. No	Part Number	Description		Reqd. No
1	50613-ALA-0000	Under cover	底盖	1
2	50612-APA-0000	Floor step lap A	脚踏橡皮	4
3	64310-ATA-0001	Floor panel	脚踏板	1
4	80151-ATA-0000	Center cover	中央盖	1
5	50326-AAA-0000	Battery cover	电瓶盖	1
6	93903-25280	Tapping screw 5X16	自攻螺丝	9
7	93404-06030-07	Washer bolt 6X16	垫片螺栓 6*16	4
8	90111-M9Q-800B	Flange bolt 6MM	缘面台阶螺栓 6MM(军绿)	4

F-09 Body Cover



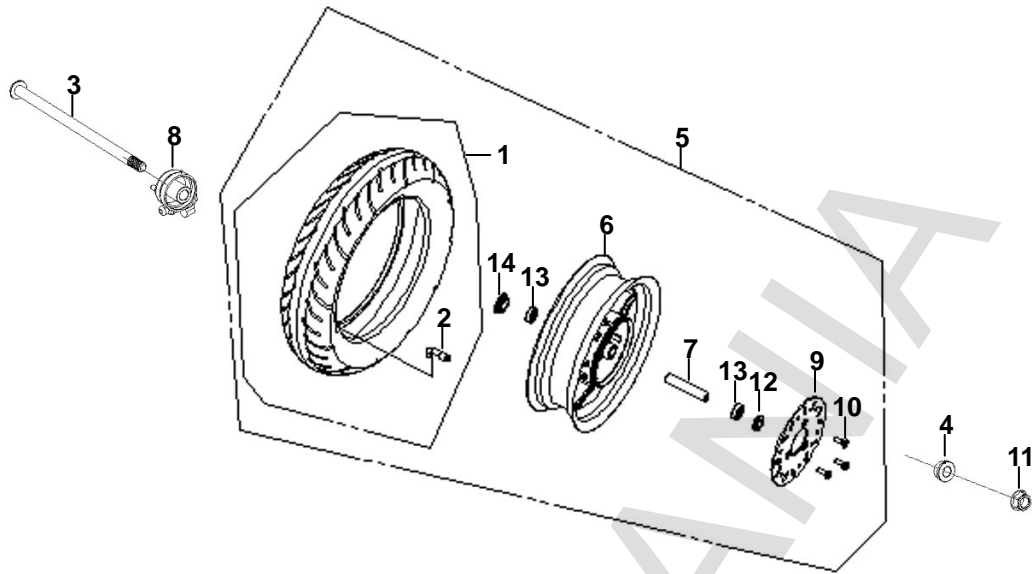
Ref. No	Part Number	Description	Reqd. No	
1	81200-ATA-0001	RR carrier	后货架	1
2	83500-ATA-0001	RH. body cover	右车体盖	1
3	83520-ATA-0001	RH. side cover	右侧盖	1
4	83600-ATA-0001	LH. body cover	左车体盖	1
5	83620-ATA-0001	LH. side cover	左边条	1
6	90118-ALA-0000	Washer bolt 5X14	带垫螺栓(军绿)	4
7	90308-X04-0000	Spring nut 5MM	弹簧螺帽 5MM	2
8	93401-HKD-0001	Washer bolt 8X30	垫片螺栓 8*30	3
9	93903-25280	Tapping screw 5X16	自攻螺丝 5*16	2

F-10 Steering Stem • Front Cushion



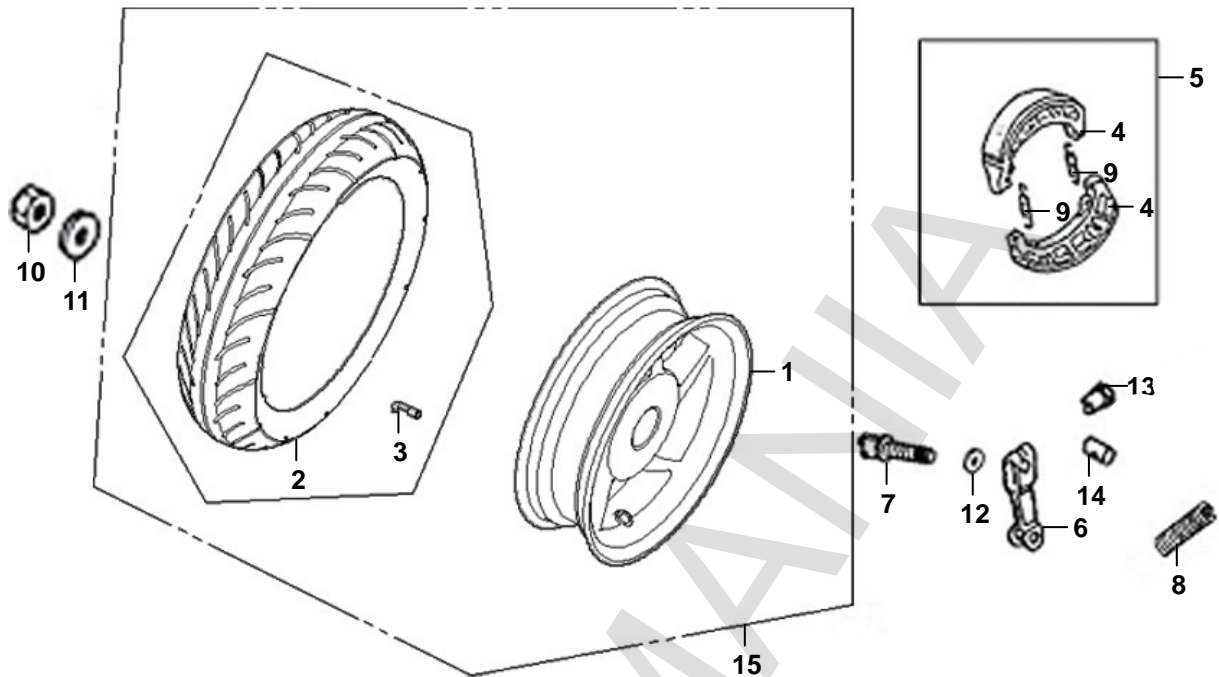
Ref. No	Part Number	Description	Reqd. No
1	45156-AAA-0000	FR. brake cable	1
2	45465-AAA-0000	Cable guide	1
3	50301-M9Q-0002	STRG.up ball race	1
4	50302-M9Q-0000	Race STRG.bot ball	1
5	50306-M9Q-0000	STRG. stem lock nut	1
6	51400-ATA-0002	R.FR. cushion	1
7	51500-ATA-0002	L.FR. cushion	1
8	53200-AAA-0004	Steeting stem	1
9	53211-M9Q-0000	STRG. top cone	1
10	53212-M9Q-0000	Cone STRG. bottom	1
11	61100-AAA-0000	FR. Fender	1
12	90111-M9Q-800B	Special screw 6MM	4
13	95801-08045-07	Flange bolt 8X40	4
14	50303-AAA-0000	UPsteel balls and retainer	1
15	50304-AAA-0000	LOWER STEEL BALLS AND	1
16	33745-AAA-0001	R. reflex reflector stay	1
17	33755-AAA-0001	L. reflex reflector stay	1
18	33742-E4D-0000	Side reflex reflector	2

F-11 Front Wheel



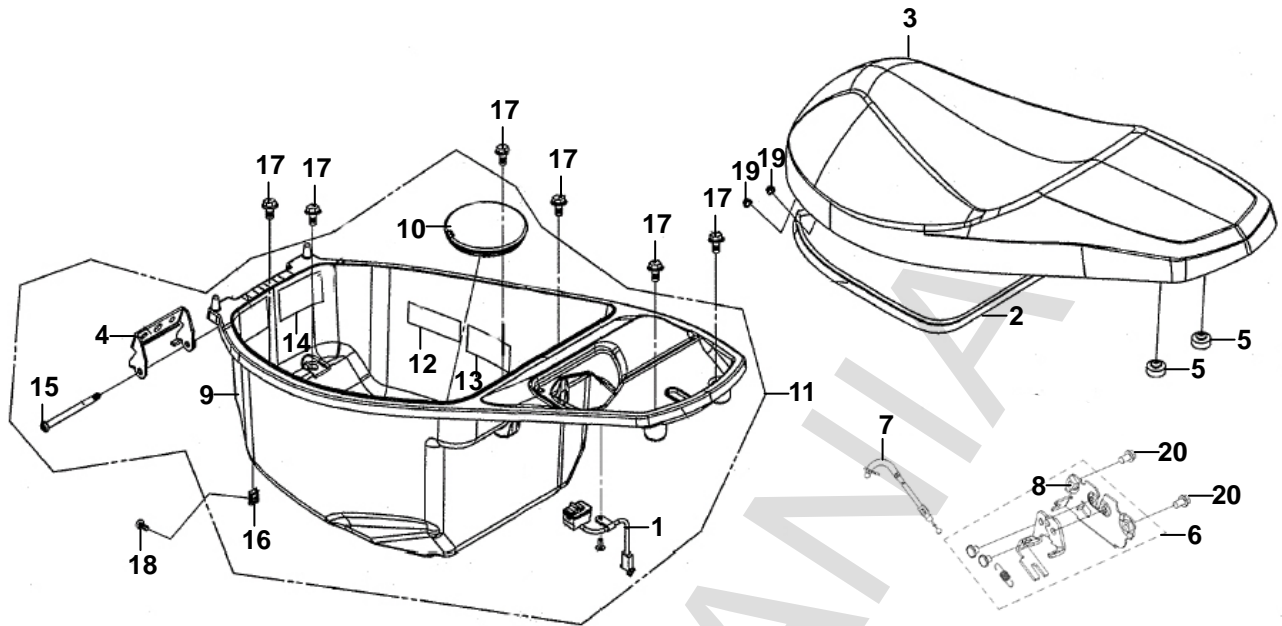
Ref. No	Part Number	Description	Reqd. No
1	44710-ATA-0000	Tire ASS'Y	1
2	42753-ABA-0000	Rim valve	1
3	44301-A31-0001	FR. wheel axle 10*172	1
4	44311-GW0-9100	Collar fr wheel side	1
5	44600-ATE-0000	FR. wheel ASS'Y	1
6	44601-ATA-0001	FR. cast wheel	1
7	44620-AAA-0000	FR. axle dist collar	1
8	44800-ATA-0000	SPDMT gear box ASS'Y	1
9	45121-ATE-0000	FR. brake disk	1
10	90105-KR3-000A	FR. disk bolt 8*26	3
11	90306-N7C-0000	Self-lock nut 12MM	1
12	90754-M9Q-0000-M1	Dust seal 20*32*5	1
13	90912-M9Q-0000-M1	Bearing 6201(U) (NTN)	2
14	91258-M9Q-0000	SPDMT. gear box seal	1

F-12 Rear Wheel



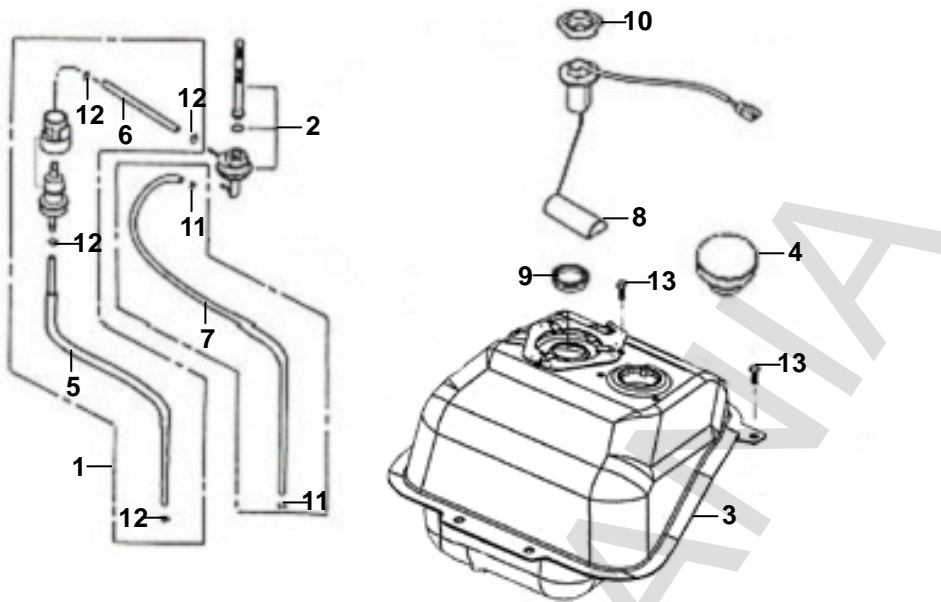
Ref. No	Part Number	Description	Reqd. No
1	42601-AAA-0002	RR. wheel hub COMP	1
2	42710-AAT-0000	RR. tire ASSY	1
3	42753-ABA-0000	Rim valve	1
4	43120-Y01-E000	Brake shoe COMP	1
5	4312A-Y01-E000	RR. brake shoe ASSY	1
6	43410-AAA-0000	RR. brake arm	1
7	43141-AAA-0001	RR. brake cam	1
8	43472-F01-0002	RR. BRK. Arm return SRG.	1
9	45133-096-A000	Brake shoe spring	2
10	90305-M9Q-0000	Self-lock nut 16MM	1
11	90501-M9Q-0000	16MM washer	1
12	91352-M9Q-0000-M1	O ring 11.3X1.3	1
13	95015-32001	Brake arm joint B	1
14	95015-32001	Adjust nut B	1
15	42600-ATE-0001	RR wheel ASSY	1

F-13 Seat • Rear Grip



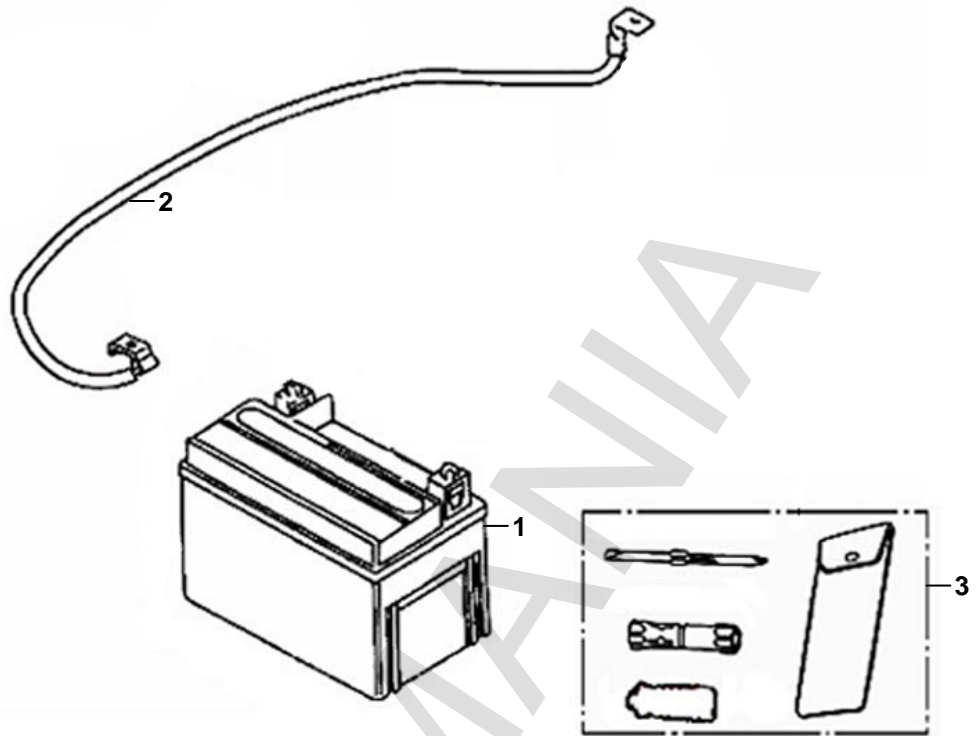
Ref. No	Part Number	Description	Reqd. No
1	36600-A1A-0101	ENG. start control SW.	1
2	77115-ATA-0000	Seal rubber	1
3	77200-ATE-0000	Double seat COMP	1
4	77201-AAA-0000	Seat hinge COMP	1
5	77206-N01-0000	Seat step rubber	2
6	77230-AKA-0001	Seat catch COMP	1
7	77240-ABA-0000	Seat lock cable	1
8	81205-AKA-0000	Seat catch BRKT COMP	1
9	81250-ATA-0003	Luggage box	1
10	81251-ALA-0000	CARB. maint cover	1
11	8125A-ATA-0008	Luggage box ASSY	1
12	87505-ATA-0000	Tire lable	1
13	87545-ATA-0000	Anti tampering control plate	1
14	87560-E21-0000	Drive caution mark	1
15	90105-KR3-000A	Seat hinge screw	1
16	90308-X04-0000	Spring nut	1
17	93404-06030-07	Washer bolt 6X16	6
18	93903-25280	Tapping screw 5X16	1
19	94050-06000	Flange nut 6MM	2
20	95801-06022-07	Flange bolt 6X12	2

F-14 Fuel Tank



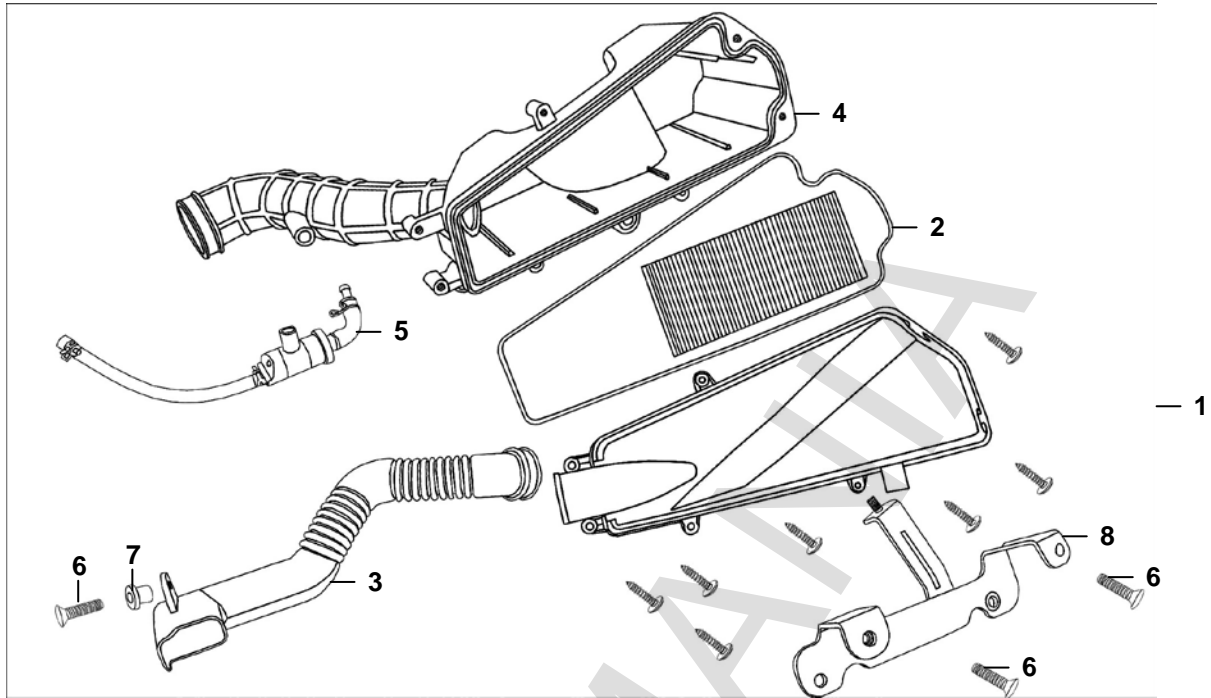
Ref. No	Part Number	Description	Reqd. No
1	16910-M9Q-0001	Fuel strainer ASSY	1
2	16950-M9Q-0001	Fuel cock ASSY	1
3	17500-AAA-0005	Fuel tank COMP	1
4	17620-CT1C-A000	Fuel filler cap COMP	1
5	17682-ABA-0002	Fuel tube (400MM)	1
6	17683-AAA-0001	Fuel tube (170MM)	1
7	17684-ABA-0000	Vacuum tube	1
8	37800-ABA-0001	Fuel unit	1
9	37801-M9Q-0001	Base packing	1
10	37802-M9Q-0000	Ret fuel unit	1
11	95002-02070	Tube clip B7	2
12	95002-02080-0A	Tube clip B8	4
13	95801-06012-08	Flange bolt 6X12	2

F-15 Battery • Tool Box



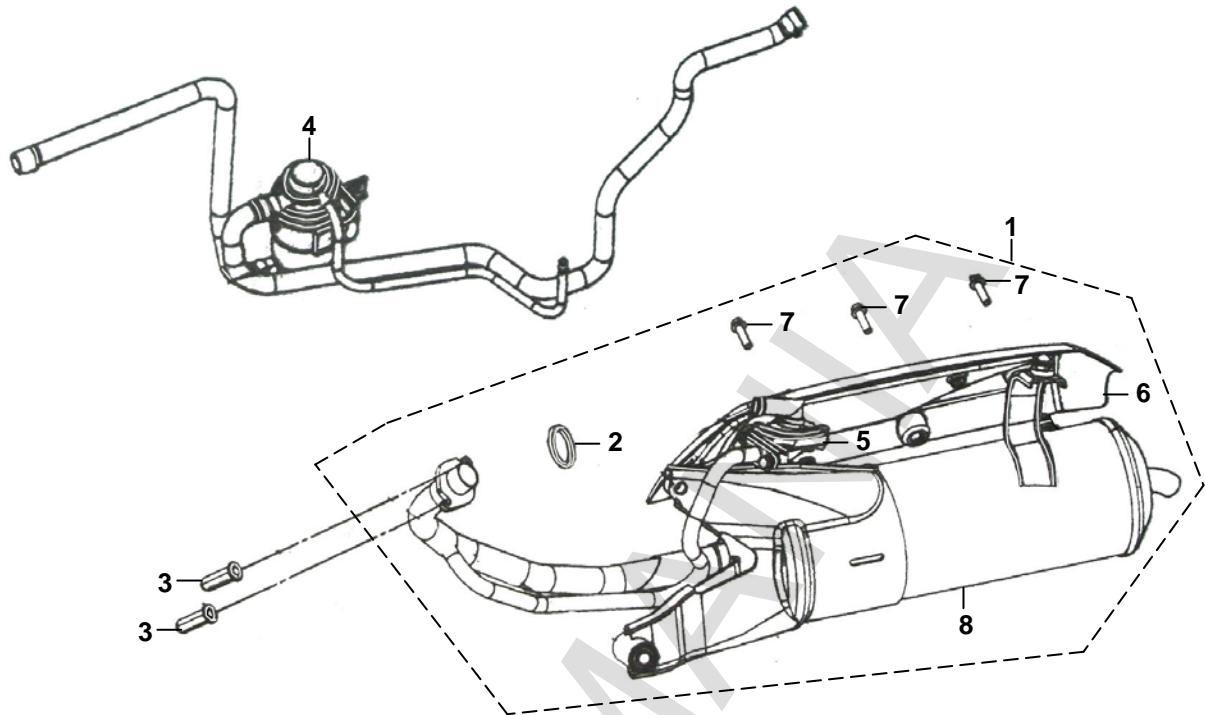
Ref. No	Part Number	Description	Reqd. No
1	31500-EG13-P000	Battery ASSY 电瓶总成	1
2	32411-ARA-0100	Battery cable 电瓶火线	1
3	89010-ABA-0001	TOOL 工具组	1

F-16 Air Cleaner



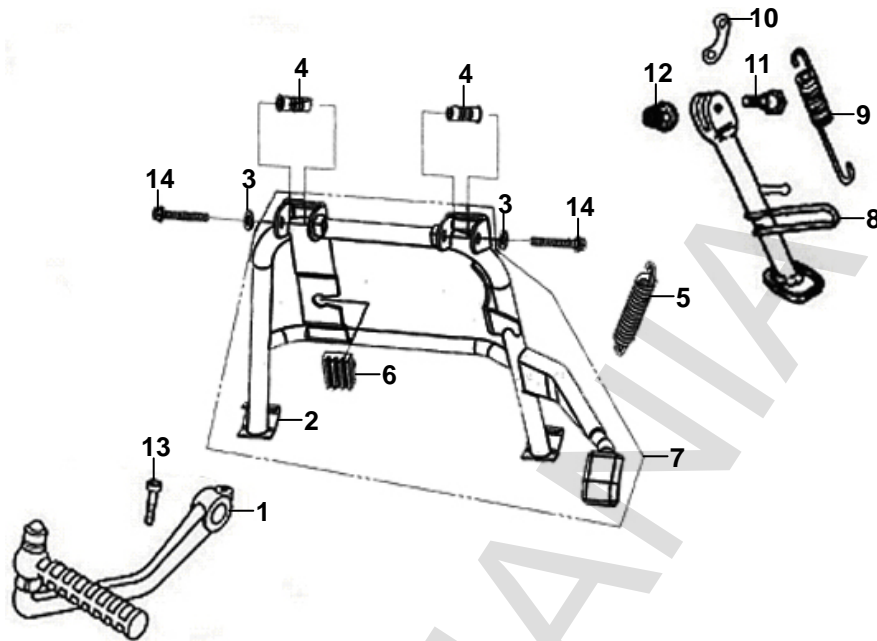
Ref. No	Part Number	Description	Reqd. No
1	17200-AWA-0001	Air cleaner ASSY	1
2	17211-AWA-0000	AIR/C. element COMP	1
3	17216-ATA-0001	AIR/C. inlet tube	1
4	17233-AWA-0000	AIR/C. case	1
5	17210-AWA-0000	Oil catch set	1
6	95801-06012-08	Flange bolt 6X12	3
7	18295-F3E-0001	Collar M6	1
8	61114-AKA-0002	AIR/C PRATE	1

F-17 Exhaust Muffler



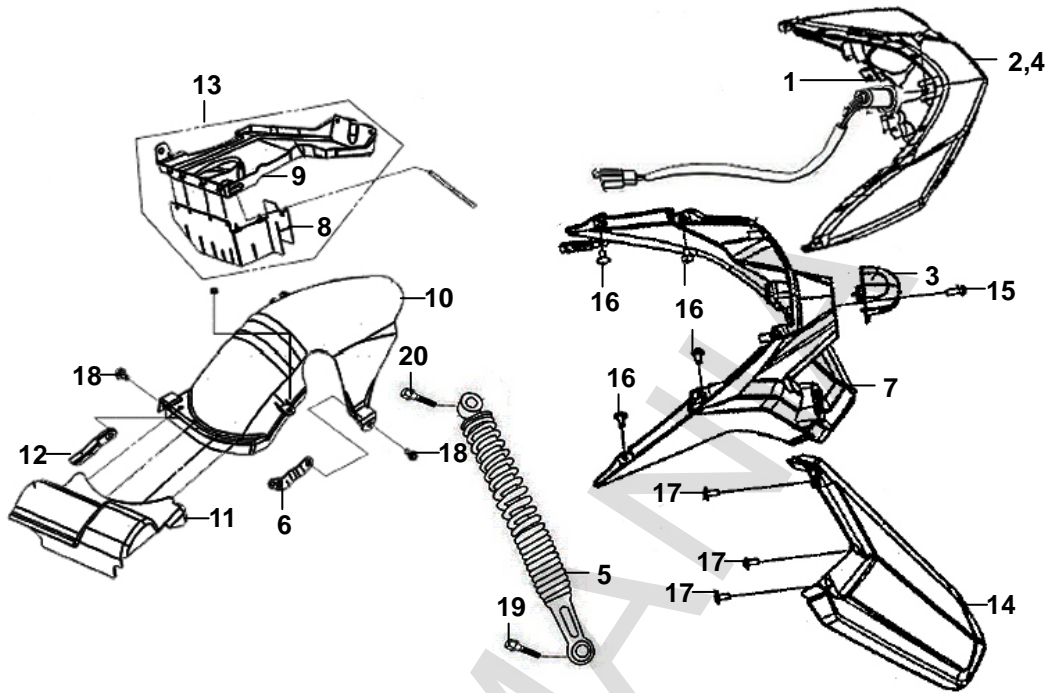
Ref. No	Part Number	Description		Reqd. No
1	18000-AWA-0001-CN2	EXH. muffler ASSY	排气管总成	1
2	18292-A6A-0001	EXH. pipe gasket	排气管接头垫片	1
3	90301-M9Q-0002	Nut muffler joint M7	排气管螺母	2
4	1865A-ATA-0100	A.I.C.V. unit	AI	1
5	15500-AMA-0100	Reed vavle ASSY	簧片阀	1
6	18317-KAA-0000	Muffler protector COMP	护热盖	1
7	96001-06022-49	Flange bolt SH 6*22	缘面螺栓 6X22	3
8	18300-AWA-0000-CN2	Exhaust muffler COMP	排气管本体	1

F-18 Main Stand • Kick Starter Arm



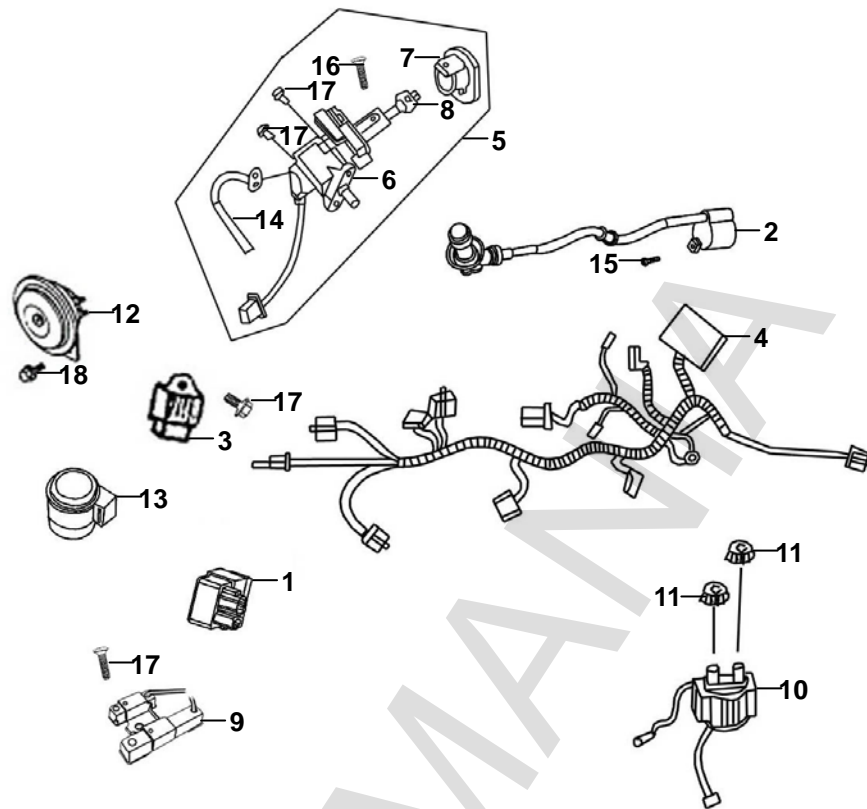
Ref. No	Part Number	Description	Reqd. No
1	28300-S1B-A000	Kick starter arm ASSY	1
2	50500-ATA-0002	Main stand COMP	1
3	50503-A5C-0000	Main stand washer	2
4	50504-A5C-0003	Main stand collar	2
5	50505-E60-0001	Main stand SPG. ASSY	1
6	50506-ABA-0000	Stand stop rubber	1
7	5050A-ATA-0002	Main stand ASSY	1
8	50530-ATA-0001	Side stand COMP	1
9	50535-APA-0000	Side stand SPG. ASSY	1
10	50542-AAA-0000	Spring plate hook	1
11	90108-AAA-0000	Side stand pivot screw bolt	1
12	94030-08000	HEX nut 8MM	1
13	95801-06022-07	Flange bolt 6X22	1
14	95801-08045-07	Flange bolt 8X45	2

F-19 Tail Light • RR. Cushion



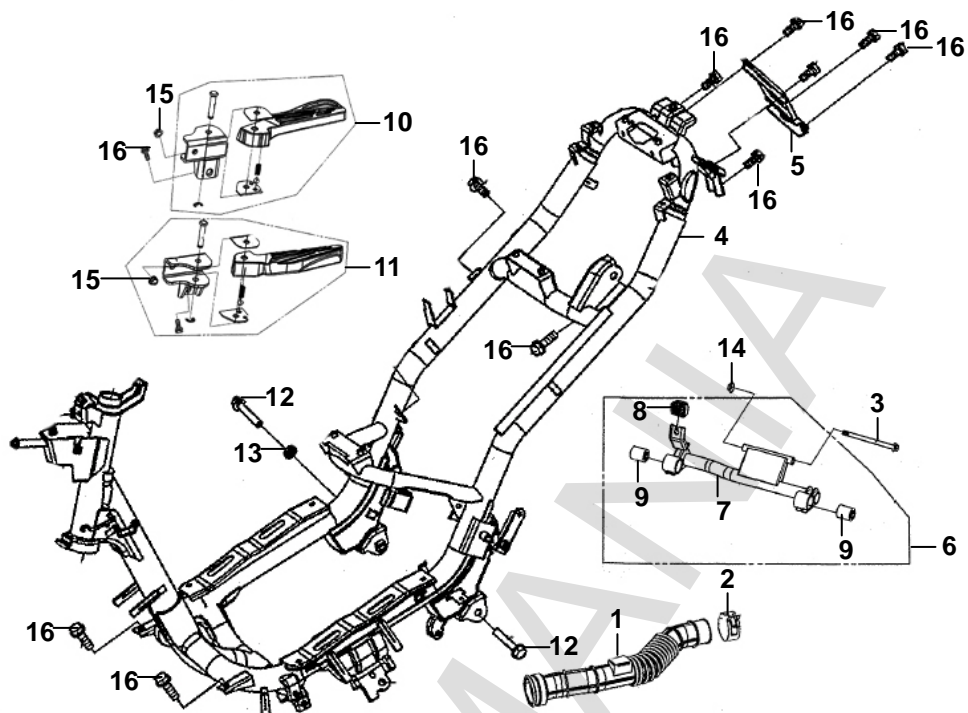
Ref. No	Part Number	Description	Reqd. No
1	33700-ATA-0200	Tail light ASSY	1
2	33701-ATA-0100	Tail light lens	1
3	33740-APA-0000	License light ASSY	1
4	34906-M9Q-0001	Tail light bulb	1
5	52400-ATA-0001	RR. cushion ASSY	1
6	61113-AWA-0000	RR. mudguard stay B	1
7	80100-ATA-0001	RR. fender	1
8	80104-AAA-0000	Splash board plate	1
9	80106-AAA-0003	RR. inn fender	1
10	80107-ATA-0003	RR. mudguard	1
11	80108-AAA-0000	Splash board plate	1
12	80109-AWA-0000	RR. mudguard stay	1
13	8010B-AAA-0002	Inner fender ASSY	1
14	80110-ATA-0000	RR. fender mudguard	1
15	93903-34440	Tapping screw 4X16	1
16	93903-35340	Tapping screw 5X16	4
17	93904-35380	Tapping screw 5X16	3
18	95801-06012-07	Flange bolt 6X12	2
19	95801-08035-00	Flange bolt 8X35	1
20	95801-10040-08	Flange bolt 10X40	1

F-20 Wire Harness



Ref. No	Part Number	Description	Reqd. No
1	30410-AWA-0000	CDI. UNIT COMP	1
2	3051A-T3D-0000	IGN. COIL. ASSY	1
3	31600-CT3-A000	REG. REC. COMP	1
4	32100-ATA-0003	Wire harness	1
5	35010-Z6A-0100	Key set	1
6	35100-ALA-0100	Comb sw and lock ASSY	1
7	35114-ALA-0000	Cap	1
8	35111-AA3-A000	Key	1
9	35400-T3D-A001	Resistor COMP	1
10	35850-35A-A000	MAG. SW. COMP	1
11	35859-M9Q-0001	Start MAG. SW. NUT	2
12	38110-ABA-0001	Horn COMP	1
13	38300-T40-0101	Ap winker relay ASSY	1
14	77240-ABA-0000	Seat lock lable	1
15	90112-AAA-0000	Flange bolt 5X22	1
16	93891-05018-07	Screw washer 5X18	1
17	95801-06016-08	Flange bolt 6X16	4
18	95801-08012-08	Flange bolt 8X12	1

F-21 Frame Body • Engine Hanger



Ref. No	Part Number	Description		Reqd. No
1	11345-AWA-0002	L. cover duct	左盖冷却导管	1
2	1134B-S1B-A000	L. cover band	左盖冷却导管夹	1
3	44301-A31-0001	Flange bolt 10X172	缘面螺栓 10*172	1
4	50100-ATH-0003	Frame body COMP	车架	1
5	50109-ATA-3000	RR. fender stay COMP	后右挡泥板支架	1
6	50350-AWA-0101	ENG. hanger link ASSY	引擎悬吊总成	1
7	50351-AWA-0101	ENG. hanger link	引擎悬吊	1
8	50352-A1A-0000	Link stopper rubber	制止橡皮	1
9	50353-M9Q-0000	Swing lock bush	锁付衬套	2
10	50710-ATA-0001	RH. pillion step ASSY	右脚踏杆	1
11	50720-ATA-0001	LH. pillion step ASSY	左脚踏杆	1
12	90106-AAA-0000	Flange bolt 10X55	缘面螺栓 10*55	2
13	90121-M9Q-0001	Distance collar	轴环	1
14	90304-M9Q-0000	Flange u nut 10MM	缘面螺帽 10MM	1
15	94050-06000	Flange nut 6MM	六角缘面螺帽 6MM	2
16	95801-06012-07	Flange bolt 6X12	缘面螺栓 6*12	10

MOTOMANIA